

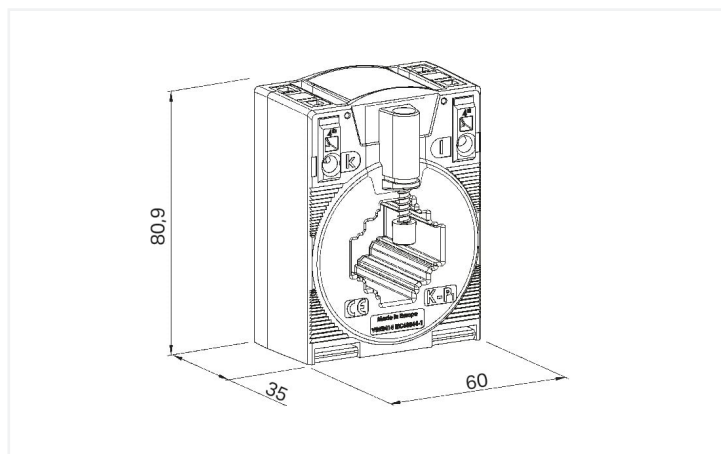
Data Sheet | Item Number: 855-305/400-1001

Plug-in current transformer; Primary rated current: 400 A; Secondary rated current: 5 A; Rated power: 10 VA; Accuracy class: 1

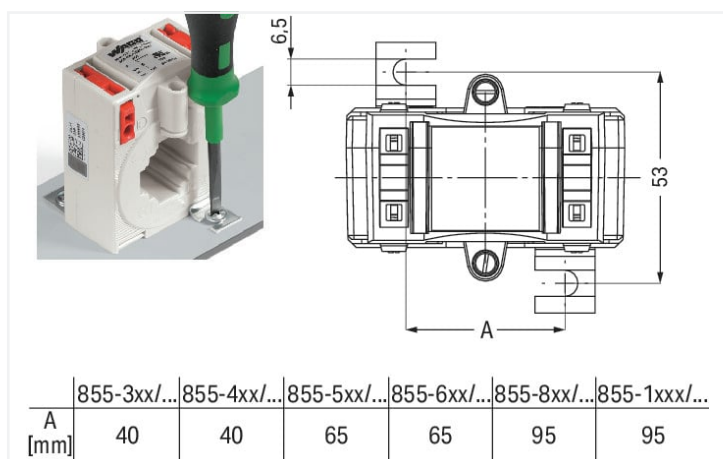
<https://www.wago.com/855-305/400-1001>



Similar to illustration



Dimensions in mm



Dimensions in mm

Short description:

These plug-in units (855 Series) are inductive, single-conductor current transformers. Due to the measurement principle used, these current transformers are exclusively designed for AC network applications. **Features:**

- Screwless CAGE CLAMP® connection technology
- Several mounting options available
- Vibration- and shock-resistant
- High mechanical retention forces
- High current-carrying capacity
- Continuous overload of 120% the nominal primary current
- Low-voltage current transformer for operating voltages up to max. 1.2 kV
- For 690 V power networks
- UL recognized components

Technical data

Input current transformers

| | |
|--|---|
| Primary rated current | 400 A |
| Rated continuous thermal current I_{cth} | $1.2 \times I_N$ |
| Rated short-time thermal current I_{th} | $60 \times I_N / 1 \text{ s (max. 100 kA / 1 s)}$ |
| Overcurrent limiting factor | FS5 / FS10 (type dependent; see type plate inscription) |
| Rated frequency | 50 ... 60 Hz |

Output (current transformer)

| | |
|-------------------------|-------|
| Secondary rated current | 5 A |
| Rated power S_r | 10 VA |

Measurement error

| | |
|----------------|---|
| Accuracy class | 1 |
|----------------|---|

Safety and protection

| | | | |
|----------------------------------|--------------------------|---------------------|-----------------------|
| Highest voltage for equipment Um | AC 1.2 kV _{rms} | Test voltage | |
| | | Test voltage | AC 6 kV; 50 Hz; 1 min |

Connection data

| | |
|-------------------------|--|
| Connection technology | CAGE CLAMP® |
| Solid conductor | 0.08 ... 4 mm ² / 28 ... 12 AWG |
| Fine-stranded conductor | 0.08 ... 4 mm ² / 28 ... 12 AWG |
| Strip length | 9 ... 10 mm / 0.35 ... 0.39 inches |

Physical data

| | |
|--------|------------------------|
| Width | 60 mm / 2.362 inches |
| Height | 80.9 mm / 3.185 inches |
| Depth | 52 mm / 2.047 inches |

Mechanical data

| | |
|---------------|--|
| Mounting type | Closed current transformer Installation on mounting plate Mounting on DIN-rail via DIN-rail adapter Installation on round cable |
|---------------|--|

Material data

| | |
|------------------|-------|
| Insulation class | E |
| Fire load | 0 MJ |
| Weight | 285 g |

Environmental requirements

| | |
|---------------------------------|----------------|
| Ambient temperature (operation) | -5 ... +50 °C |
| Ambient temperature (storage) | -25 ... +70 °C |
| Operating altitude (max.) | 1000 m |

Standards and specifications

| | |
|--------------------------|---|
| Conformity marking | CE |
| Standards/specifications | EN 61869-1 EN 61869-2 UL: E356480 |

Commercial data

| | |
|-----------------------|---------------|
| eCl@ss 10.0 | 27-21-09-02 |
| eCl@ss 9.0 | 27-21-09-02 |
| ETIM 8.0 | EC002048 |
| ETIM 7.0 | EC002048 |
| PU (SPU) | 1 pcs |
| Packaging type | Box |
| Country of origin | HU |
| GTIN | 4050821749387 |
| Customs tariff number | 85043129900 |

Environmental Product Compliance

| | |
|------------------------|-------------------------|
| RoHS Compliance Status | Compliant, No Exemption |
|------------------------|-------------------------|