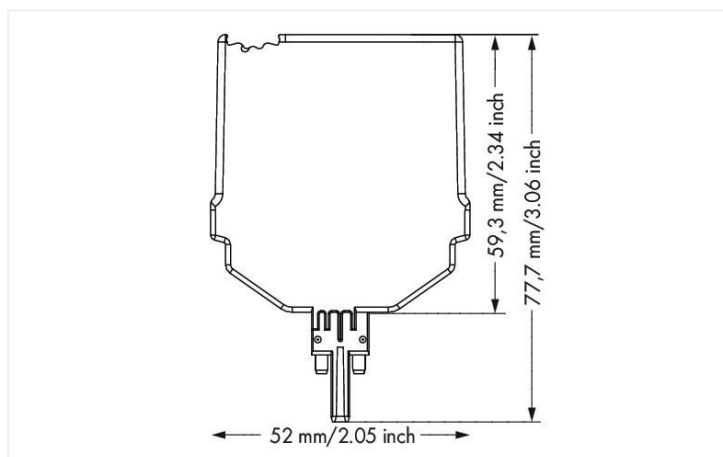
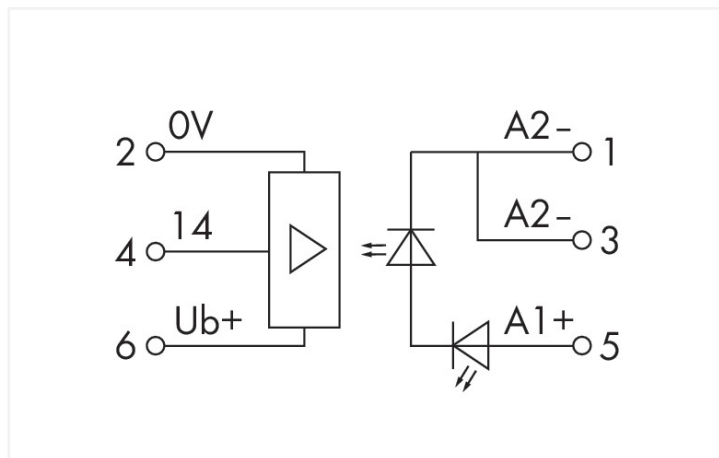


## Data Sheet | Item Number: 2042-7604

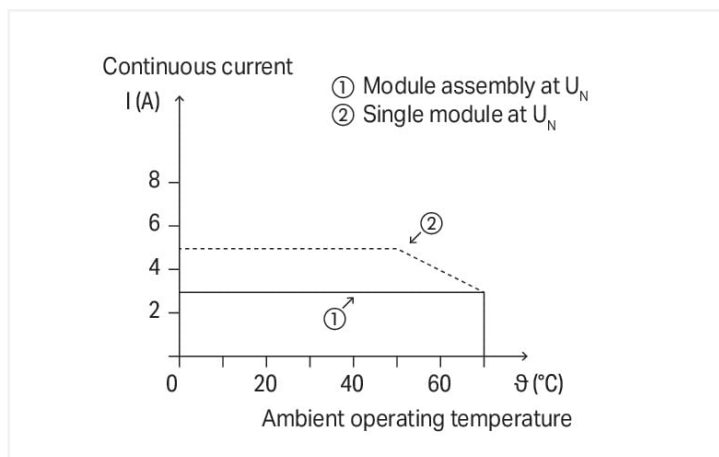
Solid-state relay module; Nominal input voltage: 24 VDC; Output voltage range: 16.8 ... 30 VDC; Limiting continuous current: 5 A; 3-wire connection/high-side switching; Railway; Frequency: 5 kHz; Green status indicator; Module width: 15 mm



<https://www.wago.com/2042-7604>



Dimensions in mm



Current-carrying capacity curve

### Notes

Note

Optocouplers and solid state relays are designed for use in signal processing networks, which are not supplied by the low-voltage power supply networks.

### Technical data

#### Control circuit

Nominal input voltage $U_N$	DC 24 V (SELV)
Input voltage range (low level)	DC 0 ... 10 V
Input voltage range (high level)	DC 16.8 ... 30 V
Nominal input current at $U_N$	7 mA
Input current range	6 ... 8 mA

#### Load circuit

Circuit type	3-wire connection High-side switching
Limiting continuous current	5 A
Nominal output voltage	DC 24 V (SELV)
Output voltage range	DC 16.8 ... 30 V
Voltage drop	$\leq 1$ VDC
Switching current (min.)	3 mA
Turn-on time	$\leq 10$ $\mu$ s
Turn-off time	$\leq 20$ $\mu$ s
Switching frequency	$\leq 5$ kHz

### Signaling

Status indicator	Green LED
------------------	-----------

### Safety and protection

Overvoltage category	II
Pollution degree	2
Dielectric strength (control/load circuit) (AC, 1 min)	2.5 kVrms
Protection type	IP20

### Physical data

Width	15.5 mm / 0.61 inches
Height	77.7 mm / 3.059 inches
Height from the surface	59.3 mm / 2.335 inches
Depth	52 mm / 2.047 inches

### Mechanical data

Mounting type	Pluggable module for TOPJOB® S Carrier Terminal Block
---------------	---

### Material data

Flammability class per UL94	V0
Fire load	0.149 MJ
Weight	17.1 g

### Environmental requirements

Ambient temperature (operation at $U_N$ )	-40 ... +70 °C
Ambient temperature (storage)	-40 ... +85 °C
Processing temperature	-25 ... +50 °C
Operating altitude (max.)	2000 m

### Standards and specifications

Standards/specifications	EN 61010-2-201 EN 61373 EN 50121-3-2 EN 50121-4 EN 61000-6-2 EN 61000-6-3
--------------------------	--

### Commercial data

eCl@ss 10.0	27-14-11-49
eCl@ss 9.0	27-14-11-49
ETIM 8.0	EC002018
ETIM 7.0	EC002018
PU (SPU)	1 pcs
Packaging type	Bag
Country of origin	DE
GTIN	4055143748759
Customs tariff number	85365005000

Environmental Product Compliance	
CAS-No.	7439-92-1 79-94-7
REACH Candidate List Substance	2,2',6,6'-tetrabromo-4,4'-isopropylidenediphenol Lead
RoHS Compliance Status	Compliant,With Exemption
RoHS Exemption	7(a) 7(c)-I 7(c)-II
SCIP notification number (Austria)	aeadaa7b-4e41-4f2a-8dba-ddf07944d5d6
SCIP notification number (Belgium)	10fe3c50-f77f-4362-8af6-2b451af9fecc
SCIP notification number (Bulgaria)	47ca3f4c-a070-4c59-868d-7289b57981f5
SCIP notification number (Czech Republic)	89a45afd-088f-42f7-aacd-f93b1a70bc06
SCIP notification number (Denmark)	fcfac643-f8cb-4e30-9b3f-11fb3fcfbad
SCIP notification number (Finland)	139db015-851c-41bb-8546-82cf6a27339b
SCIP notification number (France)	a58beff9-5b13-4487-9dcb-eeebf5db0f3c
SCIP notification number (Germany)	cb1e23bb-2d4e-4faa-a043-a6660f824455
SCIP notification number (Hungary)	65b5cee0-d03c-4815-ae01-cd0826fb6487
SCIP notification number (Italy)	34e0e620-d011-47af-bf56-be0dbfc40e9e
SCIP notification number (Netherlands)	d45270f7-6d1c-4245-b0d9-01f27652a01f
SCIP notification number (Poland)	a6441ed9-1410-48d9-aba3-9d36f74d6fc8
SCIP notification number (Romania)	3a93c174-69ec-4a26-b284-abac1ca8fc5d
SCIP notification number (Sweden)	dede4d15-1cb6-4d12-9574-79ea785e42d4