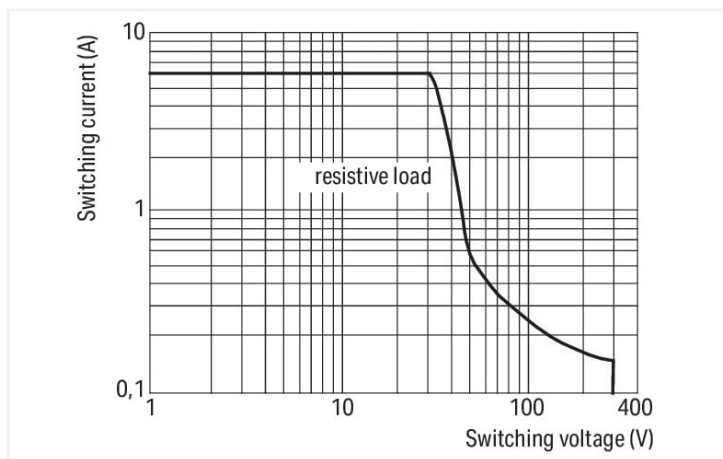
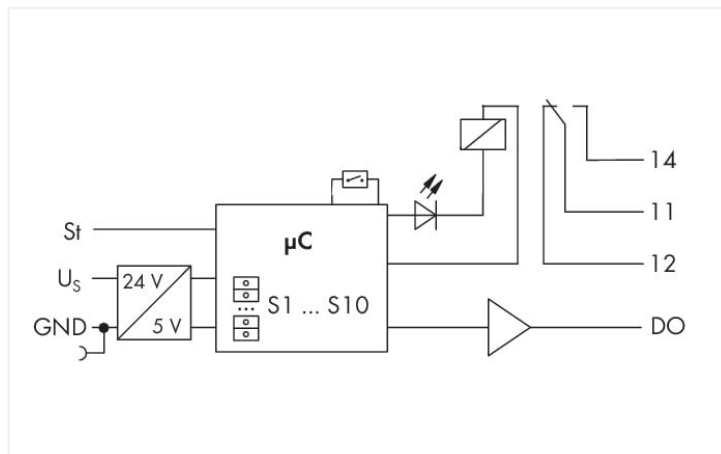


Data Sheet | Item Number: 857-642

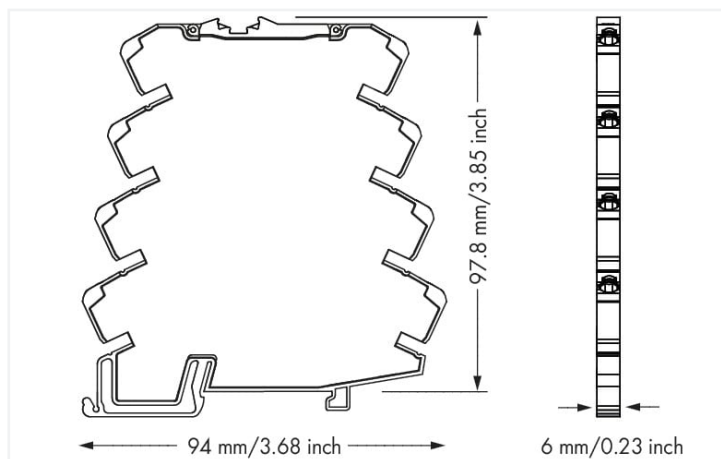
Timer relay module; Nominal input voltage: 24 VDC; Limiting continuous current: 6 A; Railway; Multifunction/Multitime; Yellow status indicator; Module width: 6 mm



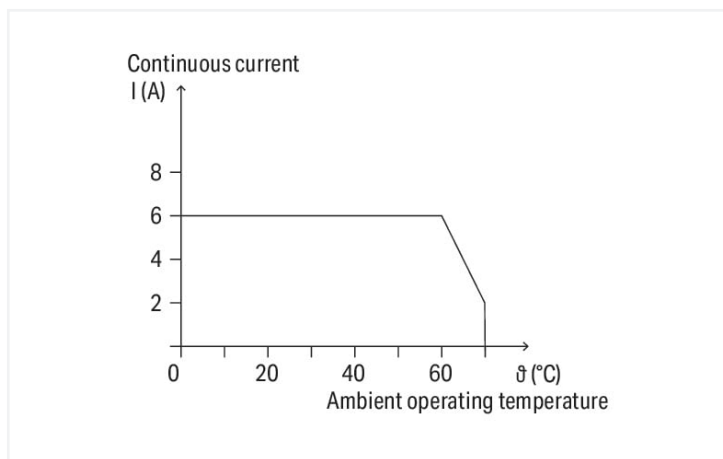
<https://www.wago.com/857-642>



DC load limit curve



Dimensions in mm



Current-carrying capacity curve

Features:

- 7 functions
- 2 separately adjustable time ranges
- Function and time range adjustable via DIP switch

Technical data

Control circuit

Nominal input voltage U_N	DC 24 V
Input voltage range	±30 %
Nominal input current at U_N	18 mA
Time range	adjustable: 0.01 ... 0.1 s; 0.1 ... 1 s; 1 ... 10 s; 10 ... 100 s; 1 ... 10 min; 10 ... 100 min; 1 ... 10 h; 10 ... 100 h
Reset time	50 ms
Minimum pulse length (control input)	10 ms
Functions	On- and off-delay (with control input) On-delay and single-shot leading edge On-delay and single-shot leading edge (with control input) Single-shot leading and trailing edge (with control input) Pulse sequence evaluation (with control input) Repeat cycle timer (pulse start) Repeat cycle timer (interval start), control input

Load circuit

Number of changeover/switchover contacts	1
Contact material (relay)	AgSnO ₂
Limiting continuous current	6 A
Inrush current (resistive) max.	(AC) 20 A / 0.02 s
Switching voltage (max.)	AC 250 V
Switching power (resistive) max.	AC 1500 VA; DC (see load limit curve)
Switching capacity	AC-15: 3 A / AC 250 V; DC-13: 2 A / DC 24 V
Recommended minimum load	10 V / 10 mA; 24 V / 1 mA
Pull-in time (typ.)	15 ms
Drop-out time (typ.)	25 ms
Bounce time (typ.)	3.5 ms
Electrical life (NO; resistive load; 23 °C)	50 x 10 ⁸ switching operations
Mechanical life	5 x 10 ⁸ switching operations
Digital output (DO)	U_N - 1 V; 100 mA

Signaling

Status indicator	Yellow LED
------------------	------------

Safety and protection

Rated voltage	250 V
Rated surge voltage	4 kV
Pollution degree	2
Dielectric strength (control/load circuit) (AC, 1 min)	4 kVrms
Dielectric strength (open contact) (AC, 1 min)	1 kVrms
Protection type	IP20

Connection data

Connection technology	Push-in CAGE CLAMP®
Solid conductor	0.34 ... 2.5 mm ² / 22 ... 14 AWG
Fine-stranded conductor	0.34 ... 2.5 mm ² / 22 ... 14 AWG
Strip length	9 ... 10 mm / 0.35 ... 0.39 inches

Physical data

Width	6 mm / 0.236 inches
Height	94 mm / 3.701 inches
Depth from upper-edge of DIN-rail	97.8 mm / 3.85 inches

Mechanical data

Mounting type	DIN-35 rail
---------------	-------------

Material data

Fire load	0.013 MJ
Weight	52 g

Environmental requirements

Ambient temperature (operation at U _N)	-25 ... +70 °C
Ambient temperature (storage)	-40 ... +70 °C
Processing temperature	-25 ... +50 °C
Relative humidity	5 ... 95 % (no condensation permissible)
Operating altitude (max.)	2000 m

Standards and specifications

Standards/specifications	EN 61812-1 EN 61373 EN 50121-3-2 UL 508
--------------------------	--

Commercial data

Product Group	6 (INTERFACE ELECTRONIC)
eCl@ss 10.0	27-37-16-05
eCl@ss 9.0	27-37-16-05
ETIM 8.0	EC001439
ETIM 7.0	EC001439
PU (SPU)	1 pcs
Packaging type	Bag
Country of origin	DE
GTIN	4050821565710
Customs tariff number	85364900990

Environmental Product Compliance

CAS-No.	7439-92-1 79-94-7
REACH Candidate List Substance	2,2',6,6'-tetrabromo-4,4'-isopropylidenediphenol Lead
RoHS Compliance Status	Compliant,With Exemption
RoHS Exemption	7(a) 7(c)-I 7(c)-II
SCIP notification number (Austria)	3b577f50-a8f7-4931-8018-0273f6744d4b
SCIP notification number (Belgium)	889e1473-2ccc-4f3e-a962-66f08b6b9513
SCIP notification number (Bulgaria)	35d84d84-84a7-48a5-8e85-d9c076d92980
SCIP notification number (Czech Republic)	136b2103-8f85-44a8-80b6-7238b933cda1
SCIP notification number (Denmark)	dd71aaca-a453-4adc-8364-11c848085ff8
SCIP notification number (Finland)	af04b623-8bd2-47b4-abce-f53cba388b21
SCIP notification number (France)	5c6fb437-6cee-4fad-8189-fa67b2d0d9fd
SCIP notification number (Germany)	73a17d4f-a9bb-46af-bbc7-f6877f9a6d4f
SCIP notification number (Hungary)	522673c1-1804-4e5a-9498-50e0be68dfd0
SCIP notification number (Italy)	5bd150b2-0987-4017-bfb4-1981a4b51fe7
SCIP notification number (Netherlands)	0b76abbd-17a8-4f64-8a2e-aa807581c02d
SCIP notification number (Poland)	19f39985-f039-470b-ab2a-201a399fb747
SCIP notification number (Romania)	5374616e-6c99-43e6-841d-734dff001fba
SCIP notification number (Sweden)	dd5fcb1-4312-41f3-824d-0cdb44fc18be

Subject to changes. Please also observe the further product documentation!

Current addresses can be found at: www.wago.com