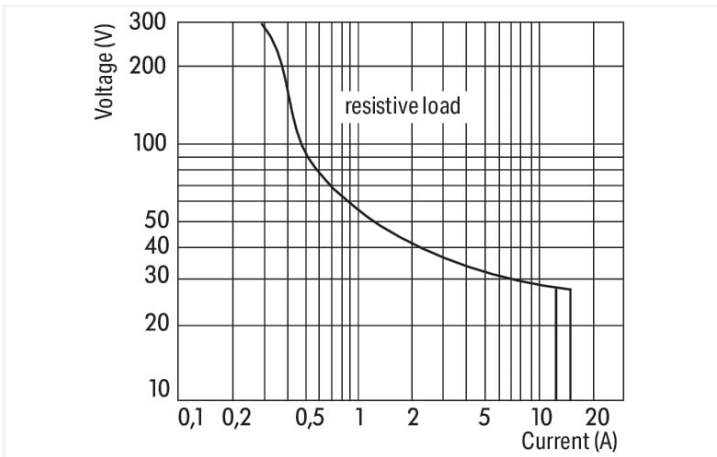
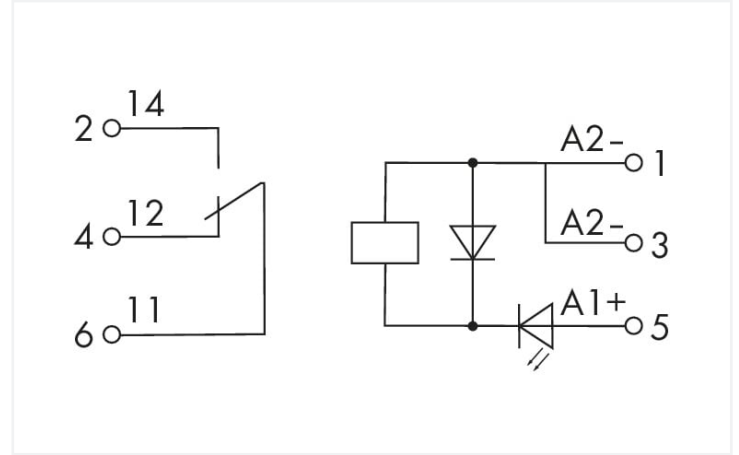


Data Sheet | Item Number: 2042-3034

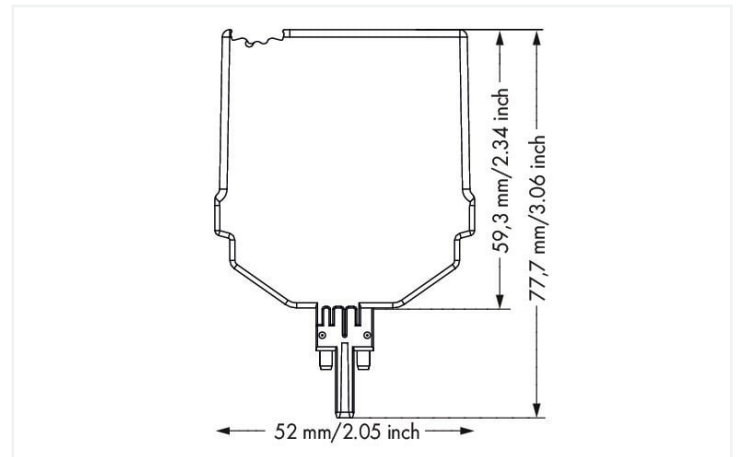
Relay module; Nominal input voltage: 24 VDC; 1 changeover contact; Limiting continuous current: 10 A; Railway; Green status indicator; Module width: 15 mm



<https://www.wago.com/2042-3034>



DC load limit curve



Dimensions in mm

Technical data

Control circuit

Nominal input voltage U_N	DC 24 V
Input voltage range	-30 ... +25 %
Nominal input current at U_N	14 mA

Load circuit

Number of changeover/switchover contacts	1
Contact material (relay)	AgNi
Limiting continuous current	10 A
Inrush current (resistive) max.	(AC) 30 A / 4 s
Switching voltage (max.)	AC 250 V
Switching power (resistive) max.	AC 2500 VA; DC (see load limit curve)
Switching capacity	AC-15: 6 A / AC 250 V; DC-13: 2 A / DC 24 V
Recommended minimum load	12 V / 10 mA
Pull-in time (typ.)	8 ms
Drop-out time (typ.)	6 ms
Bounce time (typ.)	4 ms
Electrical life (NO; resistive load; 23 °C)	100 x 10 ³ switching operations
Mechanical life	10 x 10 ⁶ switching operations

Signaling

Status indicator	Green LED
------------------	-----------

Safety and protection

Rated voltage	250 V
Pollution degree	2
Dielectric strength (control/load circuit) (AC, 1 min)	3 kVrms
Dielectric strength (open contact) (AC, 1 min)	1 kVrms
Protection type	IP20

Physical data

Width	15.5 mm / 0.61 inches
Height	77.7 mm / 3.059 inches
Height from the surface	59.3 mm / 2.335 inches
Depth	52 mm / 2.047 inches

Mechanical data

Mounting type	Pluggable module for TOPJOB® S Carrier Terminal Block
---------------	---

Material data

Flammability class per UL94	V0
Fire load	0.149 MJ
Weight	33.1 g

Environmental requirements

Ambient temperature (operation at U_N)	-40 ... +70 °C
Ambient temperature (storage)	-40 ... +85 °C
Processing temperature	-25 ... +50 °C
Operating altitude (max.)	2000 m

Standards and specifications

Standards/specifications	EN 61010-2-201 EN 61373 EN 50121-3-2
--------------------------	--

Commercial data

eCl@ss 10.0	27-14-11-49
eCl@ss 9.0	27-14-11-49
ETIM 8.0	EC002018
ETIM 7.0	EC002018
PU (SPU)	4 pcs
Packaging type	Box
Country of origin	DE
GTIN	4055143651912
Customs tariff number	85364900990

Environmental Product Compliance

CAS-No.	7439-92-1 79-94-7
REACH Candidate List Substance	2,2',6,6'-tetrabromo-4,4'-isopropylidenediphenol Lead
RoHS Compliance Status	Compliant,With Exemption
RoHS Exemption	7(a) 7(c)-I 7(c)-II
SCIP notification number (Austria)	8044e9f2-a4c9-483f-89ad-9e2eb03b8515
SCIP notification number (Belgium)	247bbae6-6cd8-4faa-921f-6bc56edf5356
SCIP notification number (Bulgaria)	56edfa38-10bf-41c4-8dee-954085e9d064
SCIP notification number (Czech Republic)	314513d7-b8e0-40cf-8e95-0d98719ca239
SCIP notification number (Denmark)	9aafb337-9984-4899-ac63-45cd2df7a5ae
SCIP notification number (Finland)	542618d0-a6d4-4cd6-acf6-aba7c01cc66e
SCIP notification number (France)	ee3bce1a-6785-45ed-9110-6e87e0c7ae95
SCIP notification number (Germany)	d9fd5f58-0114-4d4f-8dbc-17c32abdced2
SCIP notification number (Hungary)	27129d97-0db4-4eda-a881-cc55670513b0
SCIP notification number (Italy)	0e71f13d-0a32-47eb-a707-67e4bd28bf57
SCIP notification number (Netherlands)	d482ddf9-6dfe-46fa-a5fb-1b3c5f374e11
SCIP notification number (Poland)	8c9b8474-7e1f-41e6-b43b-600f5eb4baaf
SCIP notification number (Romania)	26d27295-0986-405c-9e8e-daf5d4fe4389
SCIP notification number (Sweden)	f9cc6eaa-7852-4391-8052-5fc145a40ce6