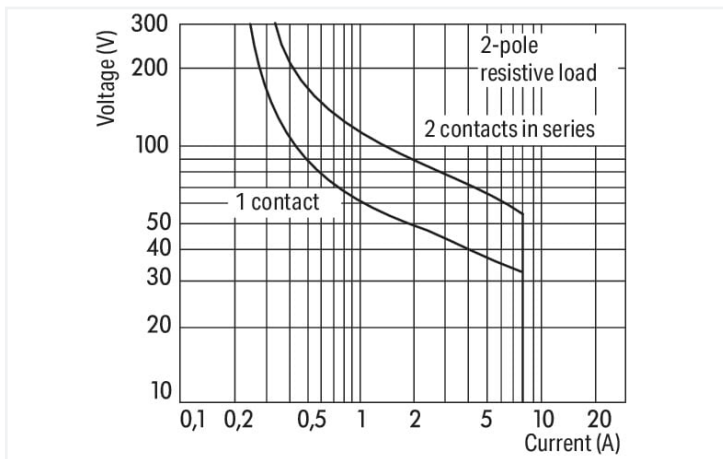
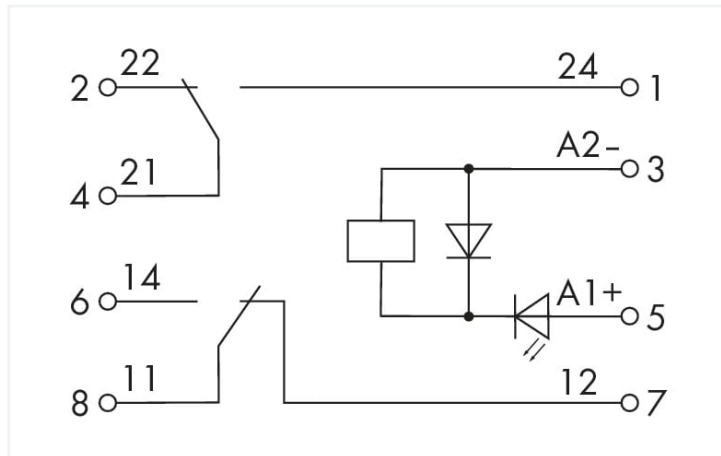


Data Sheet | Item Number: 2042-3044

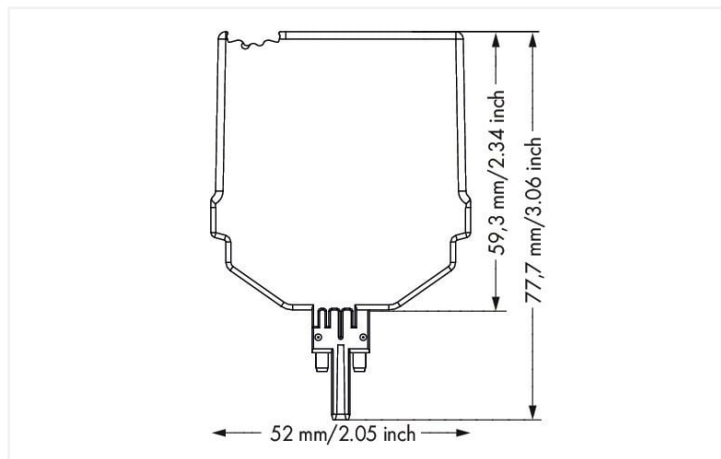
Relay module; Nominal input voltage: 24 VDC; 2 changeover contacts; Limiting continuous current: 8 A; Railway; Green status indicator; Module width: 20 mm



<https://www.wago.com/2042-3044>



DC load limit curve



Dimensions in mm

Technical data

Control circuit

Nominal input voltage U_N	DC 24 V
Input voltage range	-30 ... +25 %
Nominal input current at U_N	14 mA

Load circuit

Number of changeover/switchover contacts	2
Contact material (relay)	AgNi
Limiting continuous current	8 A
Inrush current (resistive) max.	(AC) 15 A / 4 s
Switching voltage (max.)	AC 250 V
Switching power (resistive) max.	AC 2000 VA; DC (see load limit curve)
Recommended minimum load	12 V / 10 mA
Pull-in time (typ.)	8 ms
Drop-out time (typ.)	6 ms
Bounce time (typ.)	4 ms
Electrical life (NO; resistive load; 23 °C)	100 x 10 ³ switching operations
Mechanical life	10 x 10 ⁶ switching operations

Signaling

Status indicator	Green LED
------------------	-----------

Safety and protection

Rated voltage	250 V
Pollution degree	2
Dielectric strength (control/load circuit) (AC, 1 min)	3 kVrms
Dielectric strength (open contact) (AC, 1 min)	1 kVrms
Dielectric strength (channel/channel) (AC, 1 min)	1.5 kVrms
Protection type	IP20

Physical data

Width	20.7 mm / 0.815 inches
Height	77.7 mm / 3.059 inches
Height from the surface	59.3 mm / 2.335 inches
Depth	52 mm / 2.047 inches

Mechanical data

Mounting type	Pluggable module for TOPJOB® S Carrier Terminal Block
---------------	---

Material data

Flammability class per UL94	V0
Fire load	0.214 MJ
Weight	37 g

Environmental requirements

Ambient temperature (operation at U_N)	-40 ... +70 °C
Ambient temperature (storage)	-40 ... +85 °C
Processing temperature	-25 ... +50 °C
Operating altitude (max.)	2000 m

Standards and specifications

Standards/specifications	EN 61010-2-201 EN 61373 EN 50121-3-2
--------------------------	--

Commercial data

eCl@ss 10.0	27-14-11-49
eCl@ss 9.0	27-14-11-49
ETIM 8.0	EC002018
ETIM 7.0	EC002018
PU (SPU)	4 pcs
Packaging type	Box
Country of origin	DE
GTIN	4055143651707
Customs tariff number	85364900990

Environmental Product Compliance

CAS-No.	7439-92-1 79-94-7 80-05-7
REACH Candidate List Substance	2,2',6,6'-tetrabromo-4,4'-isopropylidenediphenol 4,4'-isopropylidenediphenol Lead
RoHS Compliance Status	Compliant,With Exemption
RoHS Exemption	7(a) 7(c)-I 7(c)-II
SCIP notification number (Austria)	e1531d3b-4d3b-4baa-8852-5068fd56f205
SCIP notification number (Belgium)	096c6984-9da3-428d-b218-9b29e4ca1138
SCIP notification number (Bulgaria)	af1fb15e-a069-4667-9250-1dd6005fa38b
SCIP notification number (Czech Republic)	503a04bc-fe7e-4034-a7f5-63cd1c971bd7
SCIP notification number (Denmark)	0ece9ebb-2646-4374-8f16-ffc3f4fb55ad
SCIP notification number (Finland)	6ae8b0a7-16fc-40a7-b010-5f33d75e580b
SCIP notification number (France)	f9c21168-7b55-444d-ab40-5339892ee5b9
SCIP notification number (Germany)	aa762a0f-ee6e-49e6-9625-df82d7462be4
SCIP notification number (Hungary)	ed4d36d8-2dcd-410f-97f2-98cc97bf8ff4
SCIP notification number (Italy)	cbb2ae58-658b-42d2-8332-8662ef703453
SCIP notification number (Netherlands)	c32fe108-9266-42c4-a64f-24b96d259374
SCIP notification number (Poland)	f3ce9689-6f1e-4ec1-a3cd-3090a0fcedc2
SCIP notification number (Romania)	1a498959-2b42-4f74-a982-33146c6b1256
SCIP notification number (Sweden)	fdbabb65-6343-47ea-8247-9a246a600d57