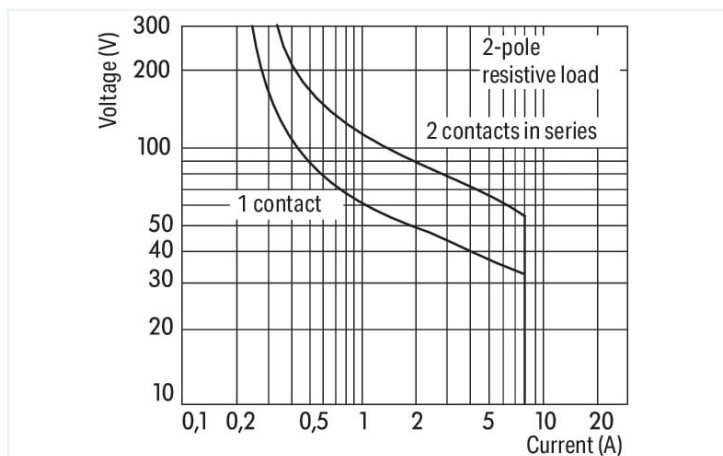
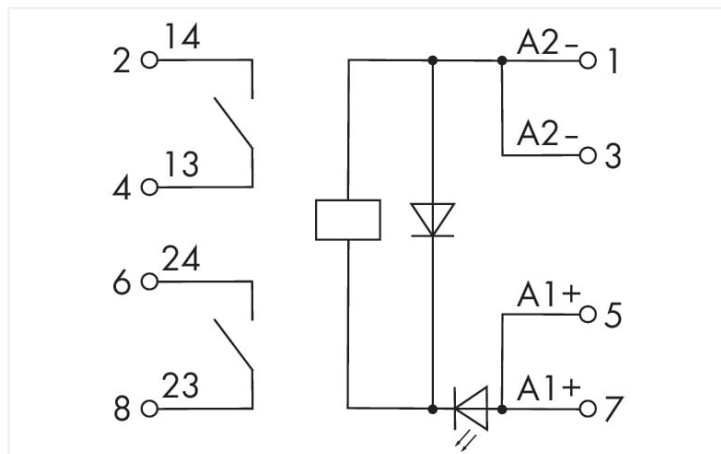


# Data Sheet | Item Number: 2042-3014

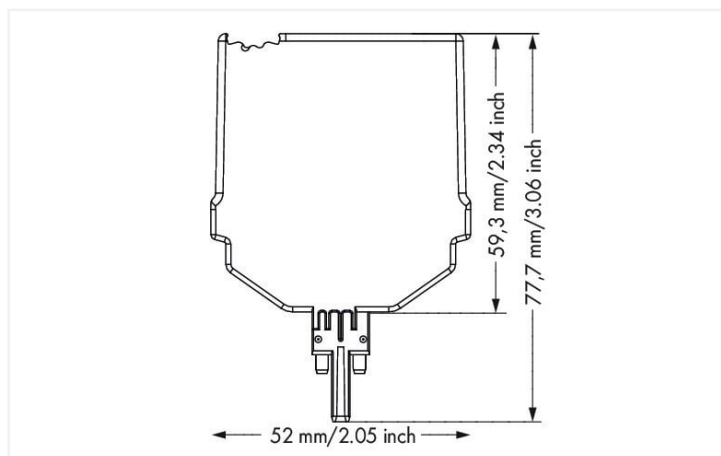
Relay module; Nominal input voltage: 24 VDC; 2 make contact; Limiting continuous current: 8 A; Railway; Green status indicator; Module width: 20 mm



<https://www.wago.com/2042-3014>



DC load limit curve



Dimensions in mm

## Technical data

### Control circuit

Nominal input voltage $U_N$	DC 24 V
Input voltage range	-30 ... +25 %
Nominal input current at $U_N$	14 mA

### Load circuit

Number of make/switch-on contacts	2
Contact material (relay)	AgNi
Limiting continuous current	8 A
Inrush current (resistive) max.	(AC) 15 A / 4 s
Switching voltage (max.)	AC 250 V
Switching power (resistive) max.	AC 2000 VA; DC (see load limit curve)
Recommended minimum load	12 V / 10 mA
Pull-in time (typ.)	8 ms
Drop-out time (typ.)	6 ms
Bounce time (typ.)	4 ms
Electrical life (NO; resistive load; 23 °C)	100 x 10 <sup>3</sup> switching operations
Mechanical life	10 x 10 <sup>6</sup> switching operations

### Signaling

Status indicator	Green LED
------------------	-----------

### Safety and protection

Rated voltage	250 V
Pollution degree	2
Dielectric strength (control/load circuit) (AC, 1 min)	3 kVrms
Dielectric strength (open contact) (AC, 1 min)	1 kVrms
Dielectric strength (channel/channel) (AC, 1 min)	1.5 kVrms
Protection type	IP20

### Physical data

Width	20.7 mm / 0.815 inches
Height	77.7 mm / 3.059 inches
Height from the surface	59.3 mm / 2.335 inches
Depth	52 mm / 2.047 inches

### Mechanical data

Mounting type	Pluggable module for TOPJOB® S Carrier Terminal Block
---------------	---

### Material data

Flammability class per UL94	V0
Fire load	0.214 MJ
Weight	36.9 g

### Environmental requirements

Ambient temperature (operation at $U_N$ )	-40 ... +70 °C
Ambient temperature (storage)	-40 ... +85 °C
Processing temperature	-25 ... +50 °C
Operating altitude (max.)	2000 m

### Standards and specifications

Standards/specifications	EN 61010-2-201 EN 61373 EN 50121-3-2
--------------------------	--

### Commercial data

eCl@ss 10.0	27-14-11-49
eCl@ss 9.0	27-14-11-49
ETIM 8.0	EC002018
ETIM 7.0	EC002018
PU (SPU)	1 pcs
Packaging type	Box
Country of origin	DE
GTIN	4055143651677
Customs tariff number	85364900990

## Environmental Product Compliance

CAS-No.	7439-92-1 79-94-7 80-05-7
REACH Candidate List Substance	2,2',6,6'-tetrabromo-4,4'-isopropylidenediphenol 4,4'-isopropylidenediphenol Lead
RoHS Compliance Status	Compliant,With Exemption
RoHS Exemption	7(a) 7(c)-I 7(c)-II
SCIP notification number (Austria)	7d5d7d64-9035-46d0-b7f5-92718351fc05
SCIP notification number (Belgium)	b927125d-9447-42ed-b27d-53f55c3a93ee
SCIP notification number (Bulgaria)	60f41358-f4ff-4699-a4d9-3ff86c15945f
SCIP notification number (Czech Republic)	783093d1-be6f-43f6-8926-0d9033e2bdf
SCIP notification number (Denmark)	b95b8cd2-bf81-4e61-bde4-b3eed1d35af7
SCIP notification number (Finland)	8800b47b-ce16-4e87-991d-4b9dd55d47b9
SCIP notification number (France)	214871a6-02d4-4eed-800f-46a8e8fdbfc0
SCIP notification number (Germany)	6f911e24-1d8c-4dbc-a8b5-c662575365c7
SCIP notification number (Hungary)	355b2755-f814-4a28-966a-b912a4485fcb
SCIP notification number (Italy)	0a5caf2a-c526-4df4-be43-b855efc3a55e
SCIP notification number (Netherlands)	29ca0aed-9bf0-4e4e-8633-ccad27610309
SCIP notification number (Poland)	56c5d177-c707-4d59-b7c1-6265025be410
SCIP notification number (Romania)	6aba11e8-72f5-49c0-b62f-6741de23afd0
SCIP notification number (Sweden)	b9f1251f-ab62-443b-8703-c773ef662ad3