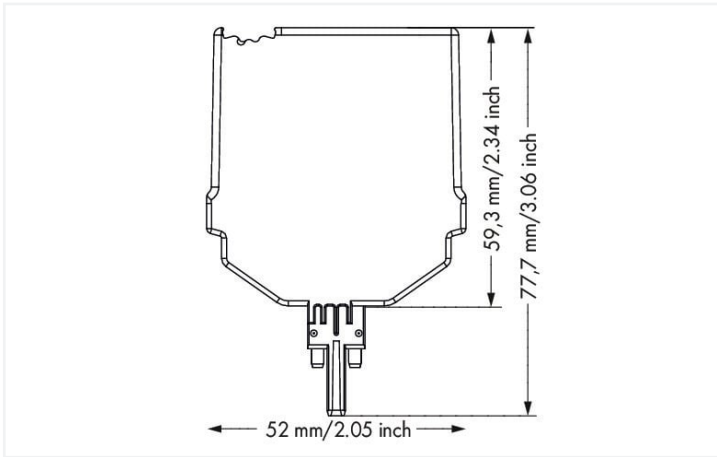
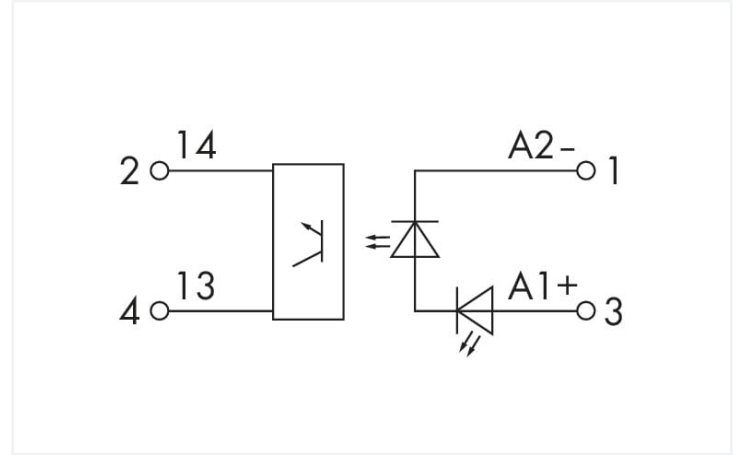


Data Sheet | Item Number: 2042-7204

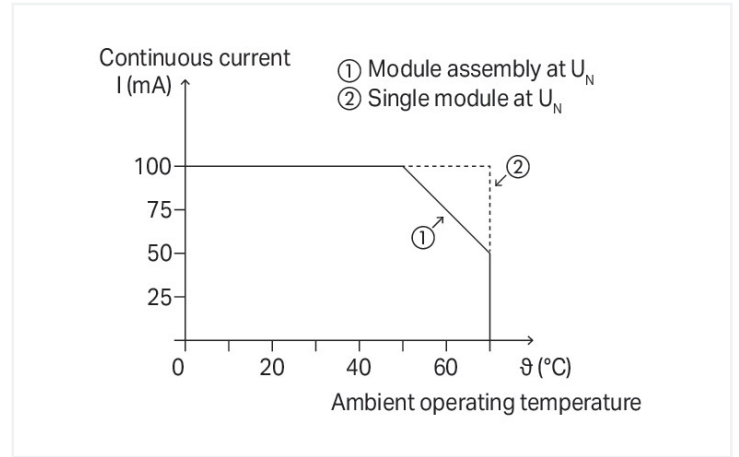
Solid-state relay module; Nominal input voltage: 24 VDC; Output voltage range: 3 ... 60 VDC; Limiting continuous current: 0.1 A; 2-wire connection; Railway; Frequency: 10 kHz; Green status indicator; Module width: 10 mm



<https://www.wago.com/2042-7204>



Dimensions in mm



Current-carrying capacity curve

Notes

Note

Optocouplers and solid state relays are designed for use in signal processing networks, which are not supplied by the low-voltage power supply networks.

Technical data

Control circuit

Nominal input voltage U_N	DC 24 V (SELV)
Input voltage range (low level)	DC 0 ... 10 V
Input voltage range (high level)	DC 16.8 ... 30 V
Nominal input current at U_N	7 mA
Input current range	6 ... 8 mA

Load circuit

Circuit type	2-wire connection
Limiting continuous current	0.1 A
Nominal output voltage	DC 24 V (SELV)
Output voltage range	DC 3 ... 60 V
Voltage drop	≤ 1 VDC
Switching current (min.)	20 μ A
Turn-on time	≤ 8 μ s
Turn-off time	≤ 14 μ s
Switching frequency	≤ 10 kHz

Signaling

Status indicator	Green LED
------------------	-----------

Safety and protection

Overvoltage category	II
Pollution degree	2
Dielectric strength (control/load circuit) (AC, 1 min)	2.5 kVrms
Protection type	IP20

Physical data

Width	10.3 mm / 0.406 inches
Height	77.7 mm / 3.059 inches
Height from the surface	59.3 mm / 2.335 inches
Depth	52 mm / 2.047 inches

Mechanical data

Mounting type	Pluggable module for TOPJOB® S Carrier Terminal Block
---------------	---

Material data

Flammability class per UL94	V0
Fire load	0.133 MJ
Weight	13.4 g

Environmental requirements

Ambient temperature (operation at U_N)	-40 ... +70 °C
Ambient temperature (storage)	-40 ... +85 °C
Processing temperature	-25 ... +50 °C
Operating altitude (max.)	2000 m

Standards and specifications

Standards/specifications	EN 61010-2-201 EN 61373 EN 50121-3-2 EN 50121-4 EN 61000-6-2 EN 61000-6-3
--------------------------	--

Commercial data

eCl@ss 10.0	27-14-11-49
eCl@ss 9.0	27-14-11-49
ETIM 8.0	EC002018
ETIM 7.0	EC002018
PU (SPU)	1 pcs
Packaging type	Bag
Country of origin	DE
GTIN	4055143751353
Customs tariff number	85365005000

Environmental Product Compliance

CAS-No.	7439-92-1 79-94-7
REACH Candidate List Substance	2,2',6,6'-tetrabromo-4,4'-isopropylidenediphenol Lead
RoHS Compliance Status	Compliant,With Exemption
RoHS Exemption	7(a) 7(c)-I 7(c)-II
SCIP notification number (Austria)	47df07bb-8f45-4734-8cfd-ee1d891b82d2
SCIP notification number (Belgium)	80c4a6fa-1b17-48e0-89bb-a9376a506121
SCIP notification number (Bulgaria)	23d89563-82be-4983-b8c5-fe81c3f79217
SCIP notification number (Czech Republic)	0de40768-066e-47a7-a91e-8a9f7cfb3093
SCIP notification number (Denmark)	0be9d5e3-ac10-445f-848b-739921968c01
SCIP notification number (Finland)	42166328-6e6f-4d24-b7d5-e704f63b3bc6
SCIP notification number (France)	0c7dc114-a5cf-4422-9924-37275cecd47c
SCIP notification number (Germany)	d33a3b2c-9eb3-494d-86a1-86ba27581699
SCIP notification number (Hungary)	26d1001c-40f0-45fe-90fe-d7d1715423a7
SCIP notification number (Italy)	98eb5954-43dc-4fef-bf11-e37579c0ace3
SCIP notification number (Netherlands)	fc8c17d1-2c59-40d7-bd6e-baf99326d834
SCIP notification number (Poland)	939dbb23-35e5-468d-ace8-68ba68651973
SCIP notification number (Romania)	51a7300f-54c3-4fec-a8c2-934bb7851031
SCIP notification number (Sweden)	13811e41-fa2d-47fd-8309-bc6c442dd488