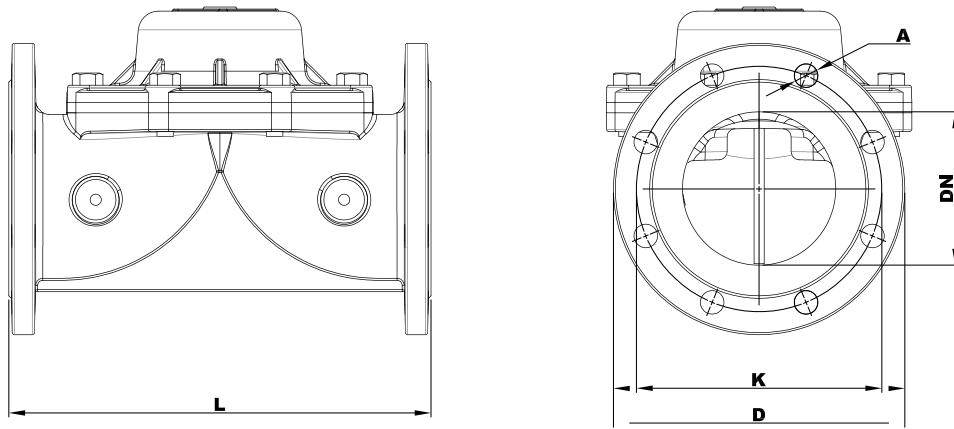


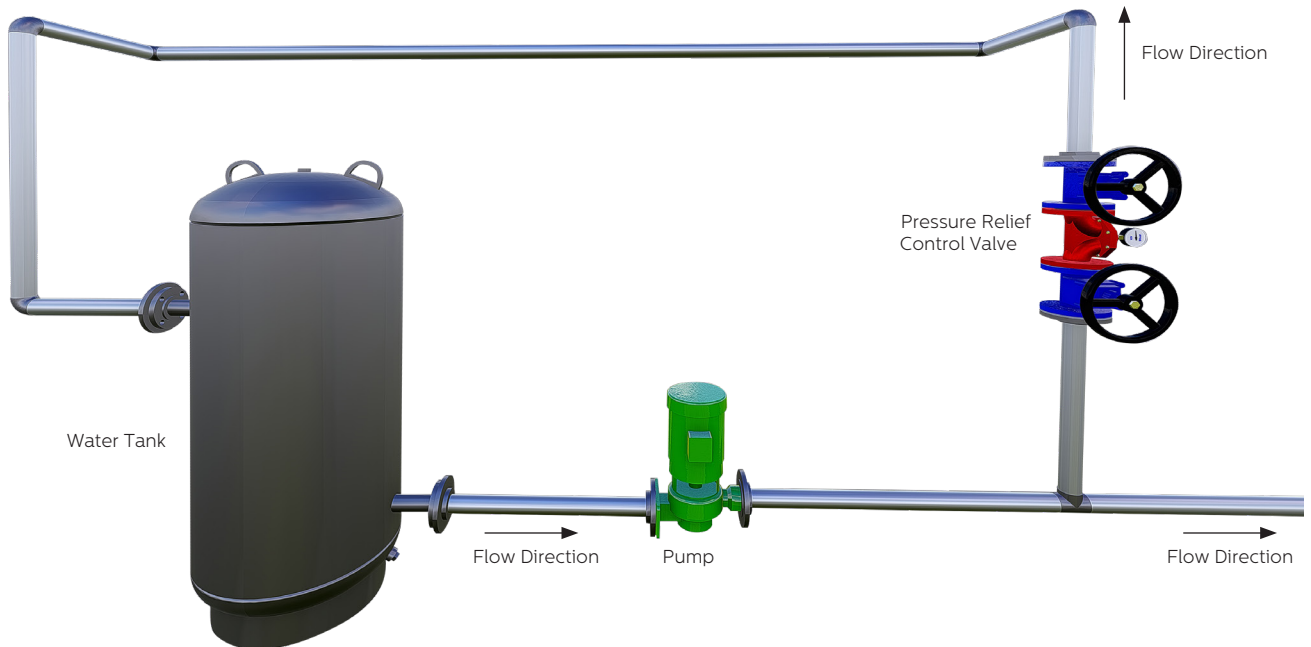


# PRESSURE RELIEF CONTROL VALVE



DIMENSIONS (mm)					
DN	L	D	K	A	Number of Holes
40	165	150	110	19	4
50	205	165	125	19	4
65	205	185	145	19	4
80	290	200	160	19	8
100	300	220	180	19	8
125	330	250	210	19	8
150	415	285	240	23	8
200	475	340	295	23	12
250	475	405	355	28	12
300	525	460	410	28	12

## 3D APPLICATION SAMPLE



**HEAD OFFICE - FACTORY**  
**PILVGECEGBKIVIFCGIRDsLLBBCG/MPLSRIV**  
 Tel: +90 212 771 01 45 (pbx) | Fax: +90 212 771 47 27  
 info@ayvaz.com | www.ayvaz.com

ISTANBUL

Cona  
 Caserta/Italy  
 C□  
 PKMPMVSWAMK□

Ayvaz Russia  
 Moscow/Russia  
 C□  
 VSWPRVSWAMK

Ayvaz Germany  
 Viernheim/Germany  
 C□  
 ECPKLVSWAMK□

Ayvaz Ukraine  
 Kiev/Ukraine  
 C□  
 GLDMVSWAMKR□

Tricorr  
 Warsaw/Poland  
 C□  
 PGAMPPPGAMPPCR

Haci Ayvaz M.E.  
 Dubai/U.A.E  
 C□  
 KGBCVSWAMK

Ayvaz China  
 Cixi City/China  
 C□  
 GLDMVSWAFGLAMK

Ayvaz Kazakhstan LLP  
 Almaty/Kazakhstan  
 C□  
 GLDMIWVSWAMK  
 TITVSWIW

Ayvaz N  
 Ispereh/Bulgaria  
 C□  
 Mffice@ayvaz-n.eu

Ayvaz Serbia  
 Belgrad/Serbia  
 C□  
 VIGVGVSWAMK