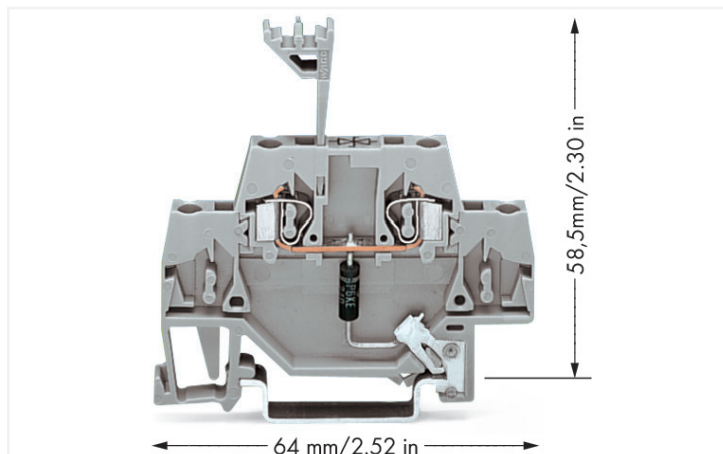


Data Sheet | Item Number: 280-502/281-602

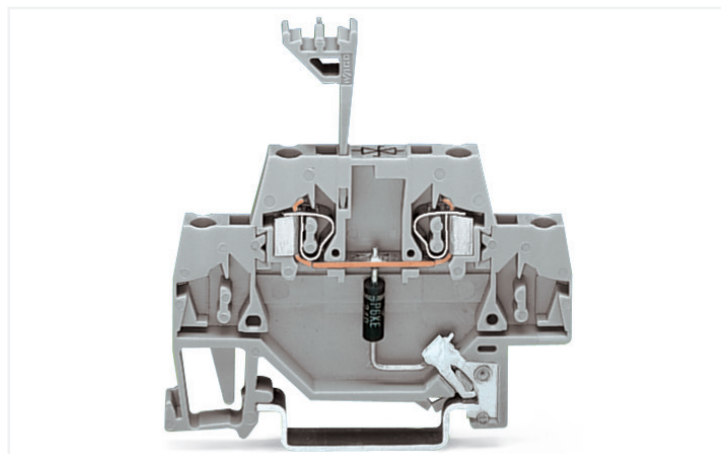
Component terminal block; double-deck; with direct connection to DIN rail; with P6KE36C TVS diode; 24 VDC; for DIN-rail 35 x 15 and 35 x 7.5; 2.5 mm²; CAGE CLAMP®; 2,50 mm²; gray

<https://www.wago.com/280-502/281-602>

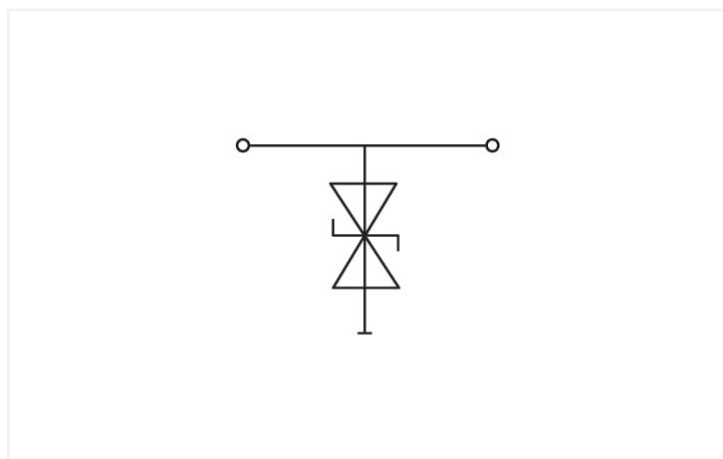


Color: ■ gray

Similar to illustration



Similar to illustration



Short description:

WAGO's component terminal block with single-stage surge suppression device and direct connection to DIN-35 rail is equipped with a TVS diode.

Features:

- Protect your system against overvoltage
- Slim, space-saving design
- Control operational costs by preventing expensive, unplanned downtime
- High operational reliability and system uptime

Electrical data

Nominal operating voltage	DC 24 V
Highest continuous voltage	DC 30.8 V
Rated continuous current	20 A
Nominal discharge current (10/1000 µs) (line)	12 A
Protection level (10/1000 µs)	≤ DC 50 V
Capacitance	≤ 1000 pF

Connection data

Connections (number)	2
Connection technology	CAGE CLAMP®
Solid conductor	0.08 ... 2.5 mm ² / 28 ... 14 AWG
Fine-stranded conductor	0.08 ... 2.5 mm ² / 28 ... 14 AWG
Strip length	8 ... 9 mm / 0.31 ... 0.35 inches

Physical data

Width	5 mm / 0.197 inches
Height from upper-edge of DIN-rail	58.5 mm / 2.303 inches
Depth	64 mm / 2.52 inches

Mechanical data

Design	with direct connection to DIN-rail
Mounting type	DIN-35 rail

Material data

Color	gray
Insulation material	Polyamide (PA66)
Material group	I
Flammability class per UL94	V0
Fire load	0.241 MJ
Weight	8.2 g

Environmental requirements

Processing temperature	-35 ... +85 °C
------------------------	----------------

Commercial data

Product Group	1 (Rail Mounted Terminal Blocks)
eCl@ss 10.0	27-14-11-27
eCl@ss 9.0	27-14-11-27
ETIM 8.0	EC000903
ETIM 7.0	EC000903
PU (SPU)	50 pcs
Packaging type	Box
Country of origin	CN
GTIN	4045454194239
Customs tariff number	85369010000

Environmental Product Compliance

CAS-No.	7439-92-1
REACH Candidate List Substance	Lead
RoHS Compliance Status	Compliant,With Exemption
RoHS Exemption	6(c) 7(a) 7(c)-I 7(c)-II
SCIP notification number (Bulgaria)	82064447-ea3b-48e1-9857-74193bef869b
SCIP notification number (Czech Republic)	124180cd-d938-4010-abca-c1732caaac99

Subject to changes. Please also observe the further product documentation!

Current addresses can be found at: www.wago.com