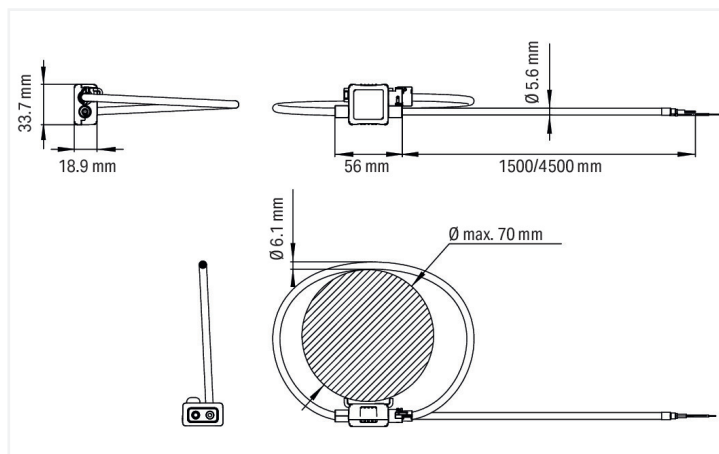


## Data Sheet | Item Number: 855-9450/2000-701

Rogowski coil; Primary rated current 1000 A; Output signal 22.5 mV per kA; Cable length 4.5 m; Feedthrough for measurement conductor 70 mm

<https://www.wago.com/855-9450/2000-701>



Dimensions in mm

**Short description:**WAGO's Rogowski coils are used to measure AC currents and are particularly well suited for retrofitting in existing systems. The split coil bobbin allows for subsequent installation around the primary conductor – be it current bars or round conductors. These Rogowski coils can be connected to WAGO's 857-552, 750-495/000-002 and 2857-570/024-000 modules. A sealable bayonet catch and mounting brackets for cable ties make for easy installation.

### Notes

#### Note

Rogowski technology allows the coils to measure a wide primary current range of up to 10,000 A without loss of accuracy, because there are no saturation effects. The requirements for standards EN 61869-1, EN 61869-2, EN 61869-6 and EN 61869-10 are only partially met, as there are fundamental differences with current transformers for a Rogowski coil.

### Technical data

#### Input

Measurement range	10 A ... 10000 A (up to 4000 A in combination with the recommended WAGO products)
-------------------	---

#### Input current transformers

Primary rated current	1000 A
Rated short-time thermal current $I_{th}$	300 kA at 50 Hz
Rated frequency	50 ... 60 Hz
Mutual inductance M	71.98 nH

#### Output (analog)

Sensitivity	22.5 mV/kA at 50 Hz
Output signal (max.)	30 V

#### Signal processing

Limit frequency	344 kHz
-----------------	---------

#### Measurement error

Accuracy class	0.5
Translation errors (all positions)	0.75 %
Translation errors (note)	Assuming that a primary conductor with a minimum diameter of 15 mm is used that is routed perpendicular to and in contact with the coil.

### Safety and protection

Rated voltage	1000 VAC <sub>rms</sub> (Cat. III); 600 VAC <sub>rms</sub> (Cat. IV)
Impulse withstand voltage (1.2/50 µs)	12.8 kV
Protection type	IP57

<b>Test voltage</b>	
Voltage for isolation test	AC 7.4 kV; 50 Hz; 1 min

### Connection data

Feedthrough for measurement conductor	Ø 70 mm
---------------------------------------	---------

### Physical data

Cable length	4.5 m
--------------	-------

### Mechanical data

Mounting type	Split-core current transformer (suspended)
---------------	--

### Material data

Fire load	0 MJ
Weight	130 g

### Environmental requirements

Ambient temperature (operation)	-40 ... +80 °C
Ambient temperature (storage)	-40 ... +80 °C
Relative humidity	≤ 90% (without condensation)
Operating altitude (max.)	2000 m

### Standards and specifications

Conformity marking	CE
Standards/specifications	EN 61010-1 EN 61010-2-32 EN 61869-1 EN 61869-2 EN 61869-6 EN 61869-10 UL 61010-1

### Commercial data

eCl@ss 10.0	27-21-09-02
eCl@ss 9.0	27-21-09-02
ETIM 8.0	EC002048
ETIM 7.0	EC002048
PU (SPU)	1 pcs
Packaging type	Bag
Country of origin	BG
GTIN	4055143419239
Customs tariff number	90303370000

**Environmental Product Compliance**

RoHS Compliance Status

Compliant, No Exemption