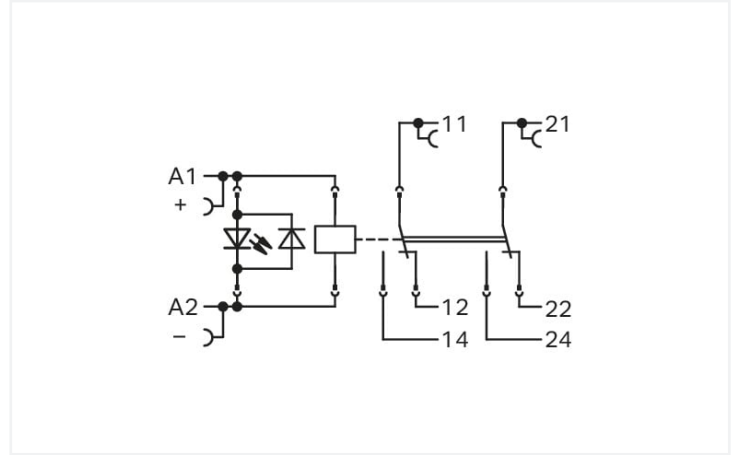
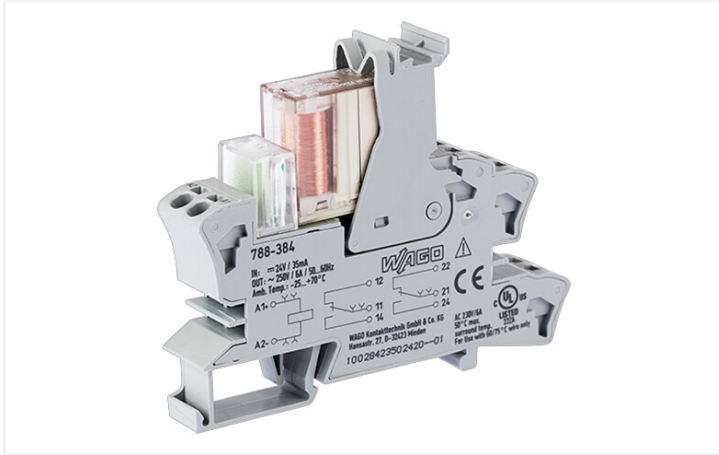


Data Sheet | Item Number: 788-384

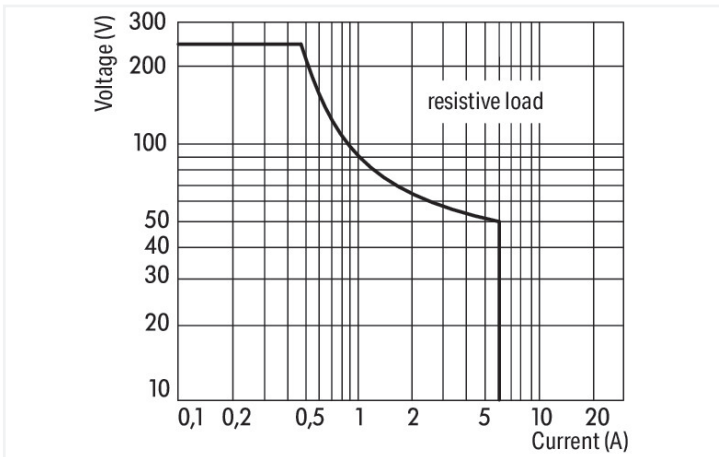
Relay module with driven contacts; Nominal input voltage: 24 VDC; 2 changeover contacts; Limiting continuous current: 6 A; Red status indicator; Module width: 15 mm; 2,50 mm²; gray



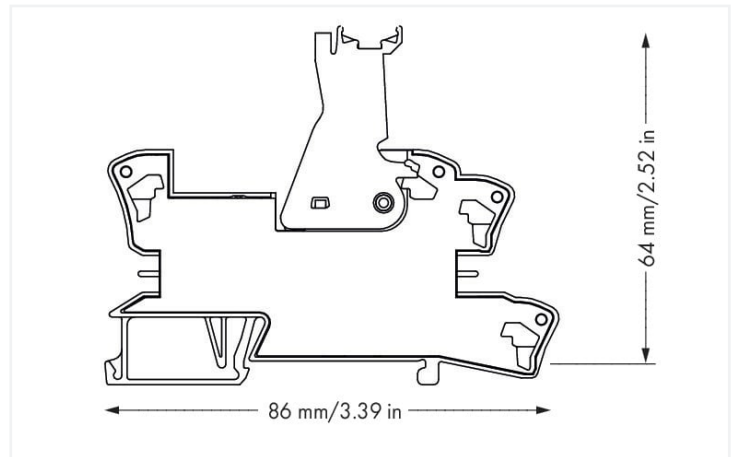
<https://www.wago.com/788-384>



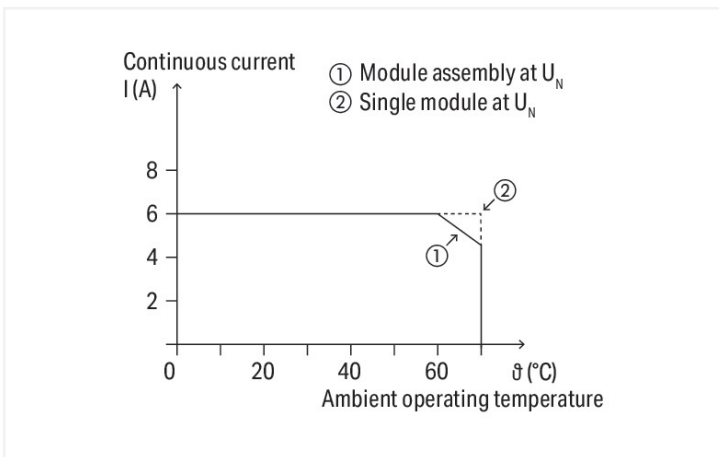
Color: ■ gray



DC load limit curve



Dimensions in mm



Current-carrying capacity curve

Notes

Safety information

- Per EN 61810-3, it is only permitted to use 1 make contact/1 break contact for safety circuits (11-14 and 22-21 or 12-11 and 21-24).

- A separator plate (e.g., 209-191) must be used for voltages greater than 250 V between adjacent relay modules and for compliance with the reinforced insulation requirements.

Note

- Reinforced insulation between coil and contacts
- To protect the relay coils and contacts, inductive loads must be dampened with an effective protection circuit.

Technical data

Control circuit

Nominal input voltage U_N	DC 24 V
Input voltage range	-15 ... +10 %
Nominal input current at U_N	31 mA

Load circuit

Number of changeover/switchover contacts	2
Contact material (relay)	AgNi
Limiting continuous current	6 A
Inrush current (resistive) max.	(AC) 14 A / 4 s
Switching voltage (max.)	AC 250 V
Switching power (resistive) max.	AC 1500 VA; DC (see load limit curve)
Switching capacity	AC-15: 3 A / AC 250 V; DC-13: 3 A / DC 24 V
Recommended minimum load	5 V / 10 mA
Pull-in time (typ.)	10 ms
Drop-out time (typ.)	4 ms
Electrical life (NO; resistive load; 23 °C)	100 x 10 ³ switching operations
Mechanical life	10 x 10 ⁶ switching operations
Switching frequency with/without load (max.)	6 min ⁻¹ / 300 min ⁻¹
Mechanical force-guided operation	Type A

Signaling

Status indicator	Red LED
------------------	---------

Safety and protection

Rated voltage	250 V
Rated surge voltage	6 kV
Pollution degree	3
Dielectric strength (control/load circuit) (AC, 1 min)	4 kVrms
Dielectric strength (open contact) (AC, 1 min)	1.5 kVrms
Dielectric strength (load/load circuit) (AC, 1 min)	3 kVrms
Safety information	<ul style="list-style-type: none"> Per EN 61810-3, it is only permitted to use 1 make contact/1 break contact for safety circuits (11-14 and 22-21 or 12-11 and 21-24). A separator plate (e.g., 209-191) must be used for voltages greater than 250 V between adjacent relay modules and for compliance with the reinforced insulation requirements.
B10d (AC 1)	250 V; 6 A; 1 NO: 600,000 switching operations 250 V; 3 A; 1 NO: 900,000 switching operations 250 V; 1.5 A; 1 NO: 1,800,000 switching operations
B10d (AC 15)	250 V; 3 A; 1 NO: 180,000 switching operations 250 V; 2 A; 1 NO: 560,000 switching operations 250 V; 0.75 A; 1 NO: 4,600,000 switching operations
B10d (DC 13)	24 V; 3 A; 1 NO: 360,000 switching operations 24 V; 1.5 A; 1 NO: 740,000 switching operations 24 V; 0.75 A; 1 NO: 4,200,000 switching operations
Protection type	IP20

Connection data

Connection technology	Push-in CAGE CLAMP®
Solid conductor	0.34 ... 2.5 mm ² / 22 ... 14 AWG
Fine-stranded conductor	0.34 ... 2.5 mm ² / 22 ... 14 AWG
Strip length	9 ... 10 mm / 0.35 ... 0.39 inches

Physical data

Width	15 mm / 0.591 inches
Height	86 mm / 3.386 inches
Depth from upper-edge of DIN-rail	64 mm / 2.52 inches

Mechanical data

Mounting type	DIN-35 rail
---------------	-------------

Material data

Color	gray
Fire load	0.939 MJ
Weight	50.3 g

Environmental requirements

Ambient temperature (operation at U _N)	-40 ... +70 °C
Ambient temperature UL (operation at U _N)	-40 ... +50 °C
Ambient temperature (storage)	-40 ... +70 °C
Processing temperature	-25 ... +50 °C
Temperature range of connection cable	≥ (T _{ambient} + 20 K)

Standards and specifications

Standards/specifications	EN 61010-2-201 EN 61810-1 EN 61373 UL 508
--------------------------	--

Basic relay

WAGO Basic Relay	788-902
------------------	---------

Environmental Product Compliance

RoHS Compliance Status	Compliant, No Exemption
------------------------	-------------------------

Approvals / Certificates

General approvals



Approval	Standard	Certificate Name
EAC Brjansker Zertifizierungs- stelle	TP TC 004/2011	EAC RU C-DE.AM02. B.00122/19
UL Underwriters Laboratories Inc. (ORDINARY LOCATI- ONS)	UL 508	E175199 Vol.1 Sec.6

Declarations of conformity and manufacturer's declarations

Approval	Standard	Certificate Name
EU-Declaration of Confor- mity WAGO GmbH & Co. KG	-	-
UK-Declaration of Confor- mity WAGO GmbH & Co. KG	-	-

Downloads

Environmental Product Compliance

Compliance Search

Environmental Product Compliance 788-384



Documentation

Bid Text

788-384	25.01.2019	docx 17.54 KB	
788-384	19.02.2019	xml 5.36 KB	

Instruction Leaflet

Sockets with Elementary Relay/ SSR	V 1.0.1 09.10.2020	pdf 2271.22 KB	
------------------------------------	-----------------------	-------------------	--

CAD/CAE-Data

CAD data

2D/3D Models 788-384



CAE data

EPLAN Data Portal 788-384	
WSCAD Universe 788-384	
ZUKEN Portal 788-384	

1 Compatible Products

1.1 Optional Accessories

1.1.1 Basic relay

1.1.1.1 Basic relay



Item No.: 788-902

Basic relay; Nominal input voltage: 24 VDC; 2 changeover contacts

1.1.2 Ferrule

1.1.2.1 Ferrule



Item No.: 216-241

Ferrule; Sleeve for 0.5 mm² / 20 AWG; insulated; electro-tin plated; electrolytic copper; gastight crimped; acc. to DIN 46228, Part 4/09.90; white

Item No.: 216-242

Ferrule; Sleeve for 0.75 mm² / 18 AWG; insulated; electro-tin plated; electrolytic copper; gastight crimped; acc. to DIN 46228, Part 4/09.90; gray

Item No.: 216-243

Ferrule; Sleeve for 1 mm² / AWG 18; insulated; electro-tin plated; electrolytic copper; gastight crimped; acc. to DIN 46228, Part 4/09.90; red

Item No.: 216-244

Ferrule; Sleeve for 1.5 mm² / AWG 16; insulated; electro-tin plated; electrolytic copper; gastight crimped; acc. to DIN 46228, Part 4/09.90; black

Item No.: 216-542

Twin ferrule; Sleeve for 2 x 1 mm² / AWG 2 x 18; red, insulated; 12 mm long; red

1.1.3 Indicators

1.1.3.1 Status indication



Item No.: 788-120

Accessories for relay modules; Operation status indicator: red; Nominal operating voltage: 24 VDC

1.1.4 Jumper

1.1.4.1 Jumper



Item No.: 788-118

Jumper; for jumper slot; 2-way; from 1 to 3; insulated; light gray

Item No.: 788-113

Jumper; for jumper slot; 2-way; insulated; light gray

Item No.: 859-402

Jumper; for jumper slot; 2-way; insulated; light gray

Item No.: 788-114

Jumper; for jumper slot; 3-way; insulated; light gray



Item No.: 788-115

Jumper; for jumper slot; 4-way; insulated; light gray

Item No.: 788-116

Jumper; for jumper slot; 6-way; insulated; light gray

Item No.: 788-117

Jumper; for jumper slot; 8-way; insulated; light gray

1.1.5 Marking

1.1.5.1 Double marker carrier



Item No.: 209-128

Adaptor; gray

1.1.5.2 Group marker carrier



Item No.: 249-105

Group marker carrier; gray

Item No.: 209-145

Group marker carrier; white

1.1.5.3 Marker



Item No.: 209-183

Marker; white

Item No.: 793-502

WMB marking card; as card; MARKED; 1 ... 10 (10x); not stretchable; Horizontal marking; snap-on type; white

Item No.: 793-503

WMB marking card; as card; MARKED; 11 ... 20 (10x); not stretchable; Horizontal marking; snap-on type; white

Item No.: 793-504

WMB marking card; as card; MARKED; 21 ... 30 (10x); not stretchable; Horizontal marking; snap-on type; white



Item No.: 793-505

WMB marking card; as card; MARKED; 31 ... 40 (10x); not stretchable; Horizontal marking; snap-on type; white

Item No.: 793-501

WMB marking card; as card; not stretchable; plain; snap-on type; white

Item No.: 2009-115

WMB-Inline; for Smart Printer; 1500 pieces on roll; stretchable 5 - 5.2 mm; plain; snap-on type; white

1.1.5.4 Marking devices



Item No.: 210-110

Fiber-tip pen

1.1.5.5 Marking strip



Item No.: 2009-110

Marking strips; for Smart Printer; on reel; not stretchable; plain; snap-on type; white

1.1.5.6 Protective marker cover



Item No.: 209-184

Protection cover; transparent

1.1.6 Tool

1.1.6.1 Operating tool

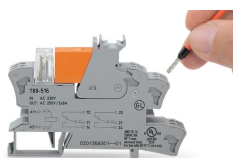


Item No.: 210-720

Operating tool; Blade: 3.5 x 0.5 mm; with a partially insulated shaft; multicoloured

Installation Notes

Conductor termination



Conductor termination

Commoning



Easy commoning using adjacent jumpers

Marking



Marking using WMB Multi markers and group marker carriers.