

## AIR FILTERED UNITS

## AFU 900



### WHO WE ARE?

- Arconik is the fruit of long-term collaboration between the Israeli company Arcotech 360 Global Limited and Indian Company Nikhtish Engineering Private Limited.
- A unique combination of expertise, R&D, know-how, and experience in the area of NBC / CBRN / CBRNE air filtration solutions positioned Arconik as one of the most esteemed and fastest-growing companies in its field in the world.

### MAIN FEATURES

- CBRN Filter capacity 180, 240, 300, 450, 600, 900, 1200 & 1800 m<sup>3</sup>/h.
- CBRN filters have been carefully tested and approved by SII (Standards Institution of Israel)
- Wide range of filters designed to filter the air from chemical and biological warfare agents, toxic chemicals & materials.
- Besides CBRN Filtration, these filters are equipped to protect against TIC's and TIM's.

### ADVANTAGES

- CBRN protection with a high wall/ hidden installation, thus saving valuable space.
- A special system of by-passes and quick connectors, allow a fast turnover to emergency mode
- Complies with NATO, International and MIL Standard.
- Easy service and maintenance access

## APPLICATIONS

### Safe Rooms



### Hospitals



### Oil Refineries

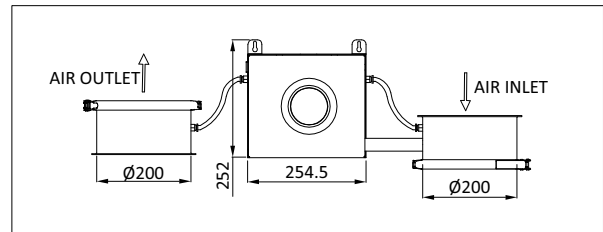
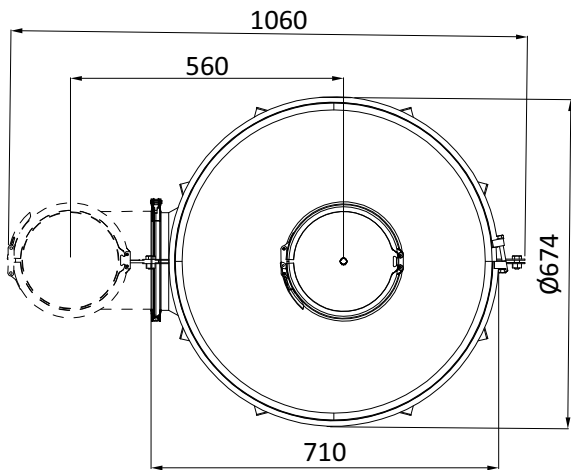


### Nuclear Power Plants

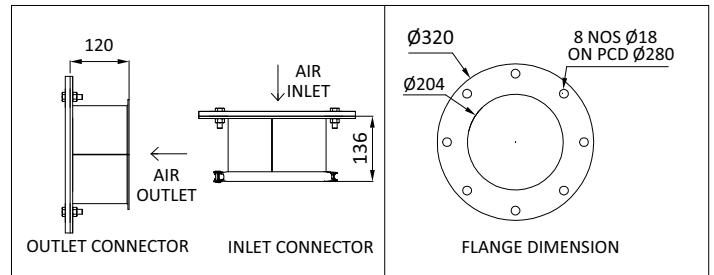
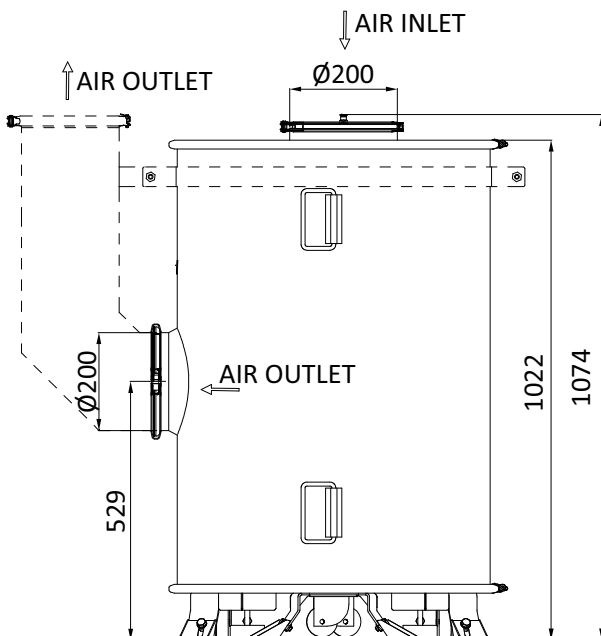


## TECHNICAL SPECIFICATIONS - AFU 900

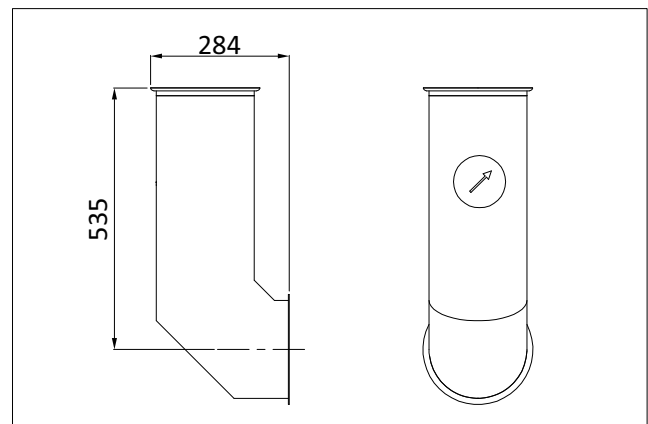
Properties	Air Flow / Rated Capacity	Pressure Drop at Nominal Flow	Weight	Particulate Filtration Efficiency (AT 0.3 μ)	Toluene adsorption capacity	CK adsorption capacity	Working Temp. Range
Values	900	1000	195	≥ 99.97	>1100X10 <sup>3</sup>	>210X10 <sup>3</sup>	-20 to +70
Units	m <sup>3</sup> /h	Pa	Kg	%	mg*min/m <sup>3</sup>	mg*min/m <sup>3</sup>	°C



OPTIONAL DIFFERENTIAL PRESSURE GAUGE KIT  
(USEFUL FOR FLOW AND FILTER LIFE INDICATION)



OPTIONAL KIT FOR REPLACEMENT OF QUICK CONNECTION TO FLANGE



PIPE WITH FLOW INDICATOR FOR AFU 900