

# VB-M46



## Keep every angle covered

The VB-M46 1.3 MP PTZ IP security camera combines a powerful 320x zoom, excellent low-light capability, WDR (Wide Dynamic Range) function and fast auto-focus. Flexible installation options for indoor use.



With DR41-C-VB Indoor Clear Dome Housing

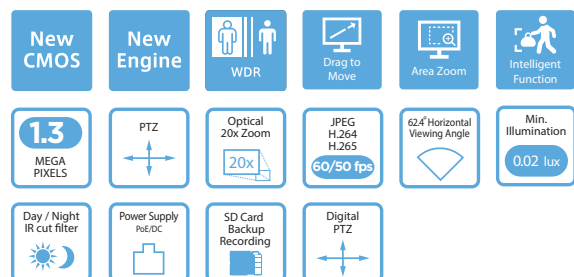


VB-M46



Canon's popular network cameras have further evolved with the latest specifications and performance, equipped with a new image sensor and video network engine, while maintaining various functions, compactness, and ease of use.

- 1.3 MP PTZ IP security camera
- Powerful 20x optical zoom lens with 16x digital zoom and fast autofocus
- Remarkable low-light performance: color at 0.02 lux and mono at 0.003 lux. Records clearly even at night, when subjects are hard to see with the naked eye.
- WDR performance enables shooting the entire scene with large differences in brightness with high visibility
- Fast, high-precision Pan, Tilt, Zoom (PTZ) capability to programmed pre-set positions
- Delivering 1.3M 60 fps video stream and simultaneously five streams including two H.265 or H.264 streams
- ONVIF Profile-S/G/T compliant
- Two color options: Titanium white and Black



# Technical Specifications

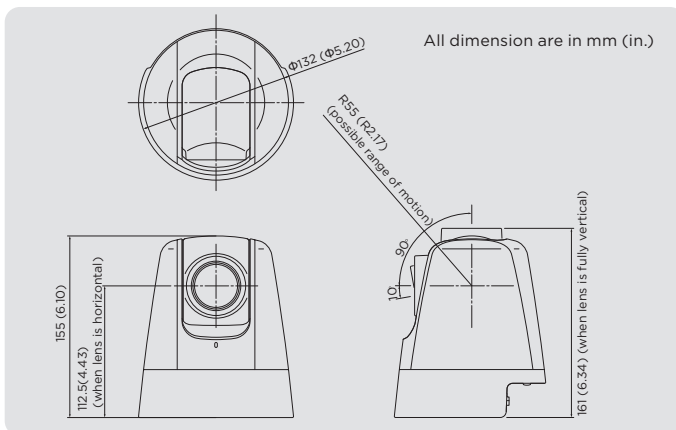
# VB-M46

<b>CAMERA</b>	
<b>Image Sensor</b>	1/2.8 type CMOS
<b>Number of Effective Pixels</b>	Approx. 1.3 million pixels
<b>Scanning Method</b>	Progressive
<b>Lens</b>	20x optical zoom (16x digital zoom) lens with auto focus
<b>Focal Length</b>	4.7 (W) – 94 mm (T)
<b>F-number</b>	F1.6 (W) – F3.5 (T)
<b>Angle of View</b>	For 16:9 aspect ratios: Horizontal: 62.4° (W) – 3.3° (T) Vertical: 36.3° (W) – 1.9° (T) For 4:3 aspect ratios: Horizontal: 47.9° (W) – 2.5° (T) Vertical: 36.3° (W) – 1.9° (T)
<b>Day / Night Switch</b>	Auto / Day Mode / Night Mode
<b>Min. Subject Illumination</b>	Day Mode (color): 0.02 lux (F1.6, shutter speed 1/30 sec., 50IRE) Night Mode (monochrome): 0.003 lux (F1.6, shutter speed 1/30 sec., 50IRE)
<b>Focus</b>	Auto / One-shot AF / Manual / Fixed at infinity
<b>AF Response</b>	Available
<b>Shooting Distance (from front of lens)</b>	Day Mode: 0.3 m (12 in.) – infinity (W), 1.0 m (3.3 ft.) – infinity (T) Night Mode: 1.0 m (3.3 ft.) – infinity (W), 1.5 m (4.9 ft.) – infinity (T) When [Enable] is selected for [Dome]: Day Mode: 2.0 m (6.6 ft.) – infinity (W, T) Night Mode: 1.0 m (3.3 ft.) – infinity (W, T)
<b>Shutter Speed</b>	1/1, 1/2, 1/4, 1/8, 1/13, 1/15, 1/25, 1/30, 1/50, 1/60, 1/100, 1/120, 1/250, 1/360, 1/500, 1/720, 1/1000, 1/1400, 1/2000, 1/3000, 1/4000, 1/6000, 1/8000, 1/10000, 1/16000 sec.
<b>Exposure</b>	Auto/Auto (Flickerless)/Auto (Shutter-priority AE)/Auto (Aperture-priority AE)/Manual
<b>White Balance</b>	Auto/Manual
<b>Metering Modes</b>	Center-Weighted/Average/Spot/Specify Area
<b>Exposure Compensation</b>	13 levels
<b>WDR</b>	Available
<b>Smart Shade Control</b>	Available
<b>Haze Compensation</b>	Available
<b>AGC Limit</b>	Available
<b>Image Stabilizer</b>	Available – Except when the maximum frame rate is set to 60 fps or 50 fps
<b>Motion-Adaptive NR (Noise Reduction)</b>	Available
<b>Pan Angle Range</b>	340° (±170°)
<b>Tilt Angle Range</b>	100° (ceiling-mounted position: -90° – +10°) – When the horizontal direction of the camera is 0°
<b>Moving Speed</b>	Pan: Max. 150°/sec., Tilt: Max. 150°/sec.
<b>SERVER UNIT</b>	
<b>Video Compression Method</b>	JPEG, H.264, H.265
<b>Video Size</b>	JPEG, H.264, H.265: 1280 x 720, 960 x 540, 640 x 360, 480 x 270, 320 x 180 1280 x 960, 640 x 480, 320 x 240
<b>Video Quality</b>	JPEG, H.264, H.265: 10 levels
<b>Frame Rate</b>	System frequency 60 Hz: 1, 5, 7.5, 10, 15, 30, 60 fps System frequency 50 Hz: 1, 2.5, 5, 6.25, 10, 12.5, 25, 50 fps – Values which can be set vary depending on the WDR settings or the Intelligent Function settings.
<b>Simultaneous Client Access</b>	Max. 30 Clients + 1 Admin Client – H.264: Max. 10 Clients – H.265: Max. 10 Clients
<b>Bit Rate Control</b>	CBR (Constant Bit Rate), VBR (Variable Bit Rate), MBR (Maximum Bit Rate)
<b>ADSR: Area-specific Data Size Reduction</b>	Available
<b>Security</b>	Camera Control: Administrator, Authorized user, Guest user (level of control varies depending on user) Access Control: User authority (user name and password), Host Access Restrictions (IPv4, IPv6) IEEE802.1X: EAP-TLS, EAP-TTLS, EAP-PEAP Encrypted Communications: SSL/TLS
<b>Protocol</b>	IPv4, IPv6, TCP/IP, UDP, HTTP, SNMPv1/v2c/v3 (MIB2), DHCP, DNS, AutoIP, mDNS, ARP, ICMP, POP3, NTP, SMTP, RTP/RTCP, RTSP, SSL/TLS, ONVIF, WV-HTTP (Canon proprietary)
<b>ONVIF Profile</b>	Profile-S, Profile-G, Profile-T
<b>Audio Compression Method</b>	G.711 μ-law (64 kbps), AAC (16/48 KHz, 16/32/64/96/128 Kbps)

<b>Audio Communication Method</b>	Full-duplex (two-way)/half-duplex RTP, Sound Transfer Protocol by Canon
<b>Audio File Playback</b>	Available
<b>Privacy Mask</b>	Available
<b>Panorama</b>	Available
<b>View Restriction</b>	Available
<b>Preset</b>	Number of registers: Max. 64 positions (+Home Position) Number of Preset Tour Route: Max. 5
<b>Intelligent Function</b>	Moving Object Detection, Abandoned Object Detection, Removed Object Detection, Camera Tampering Detection, Passing Detection, Intrusion Detection, Volume Detection, Face Detection
<b>Event Trigger Type</b>	External Device Input, Intelligent Function, Timer, Day/Night Mode Switching Number of Linked Events: 2 Linked Event Conditions: OR, AND (whether or not there is a sequence to events)
<b>Image Upload</b>	FTP/FTPS/HTTP/HTTPS/SMTP/SMTPS (e-mail)
<b>Event Notification</b>	HTTP/HTTPS/SMTP/SMTPS (e-mail)
<b>Log Notification</b>	SMTP/SMTPS (e-mail)
<b>Enhanced Digital Zoom</b>	Available
<b>On-Screen Display</b>	Available
<b>APPLICATION</b>	
<b>Camera software</b>	Camera Management Tool Recorded Video Utility
<b>Language</b>	Settings Page, Camera Viewer, Mobile Camera Viewer: German/English/Spanish/French/Italian/Russian/Thai/Korean/Chinese (Simplified) /Japanese Recorded Video Utility, Camera Management Tool: German/English/Spanish/French/Italian/Polish/Russian/Turkish/Thai/Korean/Chinese (Simplified) /Japanese
<b>INTERFACE</b>	
<b>Network Terminal</b>	LAN x1 (RJ45, 100Base-TX (auto))
<b>Audio Input Terminal (common for LINE IN &amp; MIC IN)</b>	Φ3.5 mm (Φ0.14 in.) mini-jack connector (monaural) LINE IN or MIC IN
<b>Audio Output Terminal (LINE OUT)</b>	Φ3.5 mm (Φ0.14 in.) mini-jack connector (monaural) LINE OUT
<b>External Device I/O Terminal</b>	Input x 2, Output x 2
<b>Memory Card</b>	SD Memory Card, SDHC Memory Card, SDXC Memory Card Supported. – Class 10 recommended.
<b>OTHER</b>	
<b>Operating Environment</b>	Temperature DC, PoE: -10°C – +50°C (+14°F – +122°F) Humidity 5% – 85% (without condensation)
<b>Storage Environmen</b>	Temperature -30°C – +60°C (-22°F – +140°F) Humidity 5% – 90% (without condensation)
<b>Power Supply</b>	PoE: PoE power supply via LAN connector (IEEE802.3at Type1 compliant) AC Adapter: PA-V18 (100 – 240 V AC) (sold separately) External power source: 12 V DC
<b>Power Consumption</b>	PoE: Max. approx. 9.1 W* AC Adapter PA-V18: Max. approx. 9.2 W (100 V AC) Max. approx. 9.7 W (240 V AC) DC: Max. approx. 7.9 W * Class 0 power sourcing equipment (requests 15.4 W)
<b>Dimensions</b>	(Φ x H) Φ132 x 155 mm (Φ5.20 x 6.10 in.) – Camera only (excluding Ceiling Plate)
<b>Weight</b>	Approx. 1100 g (2.43 lb.)
<b>International Standard</b>	EN 55032 class A, FCC part15 subpart B class A, ICES-003 class A, VCCI class A, RCM AS/NZS EN55032 class A, EN 55035, IEC EN 63000:2018 ----- IEC/EN 62368-1 3'rd ed., UL 62368-1 3'rd ed.

All data is based on Canon standard testing methods except where indicated. Subject to change without notice. ONVIF is a trademark of ONVIF, Inc. Brands or product names in this document are trademarks or registered trademarks of their respective companies.

## Dimensions



## Connectivity



- 1 Network Interface** RJ45, 100Base-TX (Auto)
- 2 Power Connection Terminal** 12V DC
- 3 Audio Input** 3.5mm mono mini-jack
- 4 Audio Output** 3.5mm mono mini-jack
- 5 External Device I/O** 2 x Inputs / 2 x Outputs

Keep every angle covered

# VB-M46



The VB-M46 1.3 MP PTZ IP security camera combines a powerful 320x zoom, excellent low-light capability, WDR (Wide Dynamic Range) function and fast auto-focus. Flexible installation options for indoor use.

Sales Start Date: November, 2022

#### Product Details:

Product Name	Mercury Code	EAN Code
Network Camera VB-M46	5716C001AA: Titanium white	4549292202137
Network Camera VB-M46	5716C002AA: Black	4549292202144

#### Optional Accessories:

Product Name	Mercury Code	EAN Code
Indoor Dome Housing (DR41-C-VB)	6816B001	4960999914558
Indoor Dome Housing (DR41-S-VB)	6816B002	4960999914565
Ceiling Mount Cover (SS40-W-VB)	4962B005	4549292213157
Ceiling Mount Cover (SS40-B-VB)	4962B002	4960999688794
Pendant Mounting Kit (PC600-VB)	9918B001	4549292022551

#### What's in the box?

- VB-M46 Main Unit
- Power Connector
- Warranty Card
- Before Using This Camera