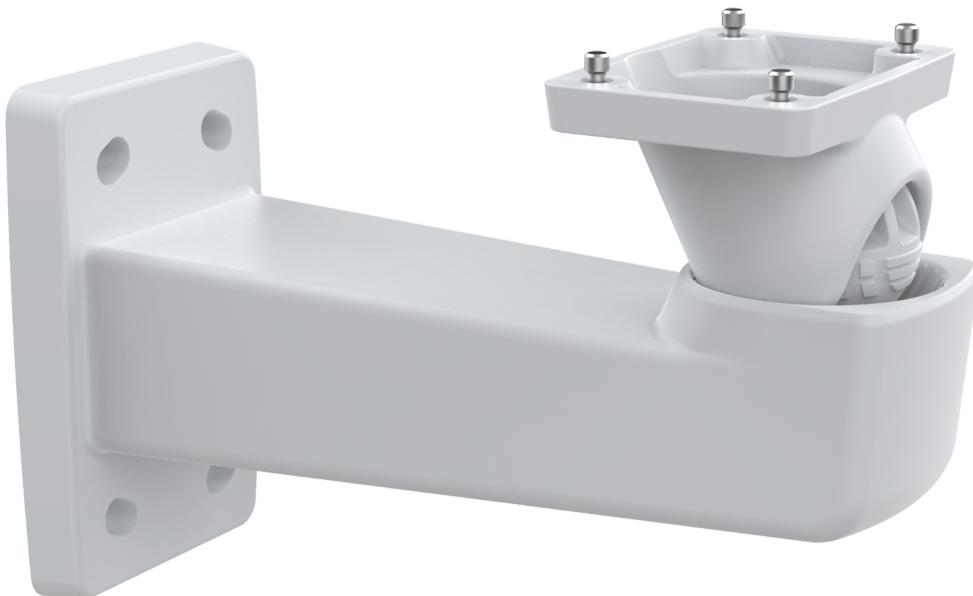


## AXIS TQ1003-E Wall Mount

For outdoor fixed box cameras and housings

Highly robust and rotatable wall mount, made of aluminum, and compatible with all Axis outdoor fixed box cameras and housings. Corrosion tested according to NEMA 4X, UL listed and IK10 rated. When used together with AXIS T94R01P Conduit Back Box, the Ethernet cable can be routed through cable protection pipes/conduits along the wall (from the left or right).

- > **Highly robust wall mount**
- > **Rotatable**
- > **Flexible cable routing**
- > **IK10 Rated**
- > **Aluminium**



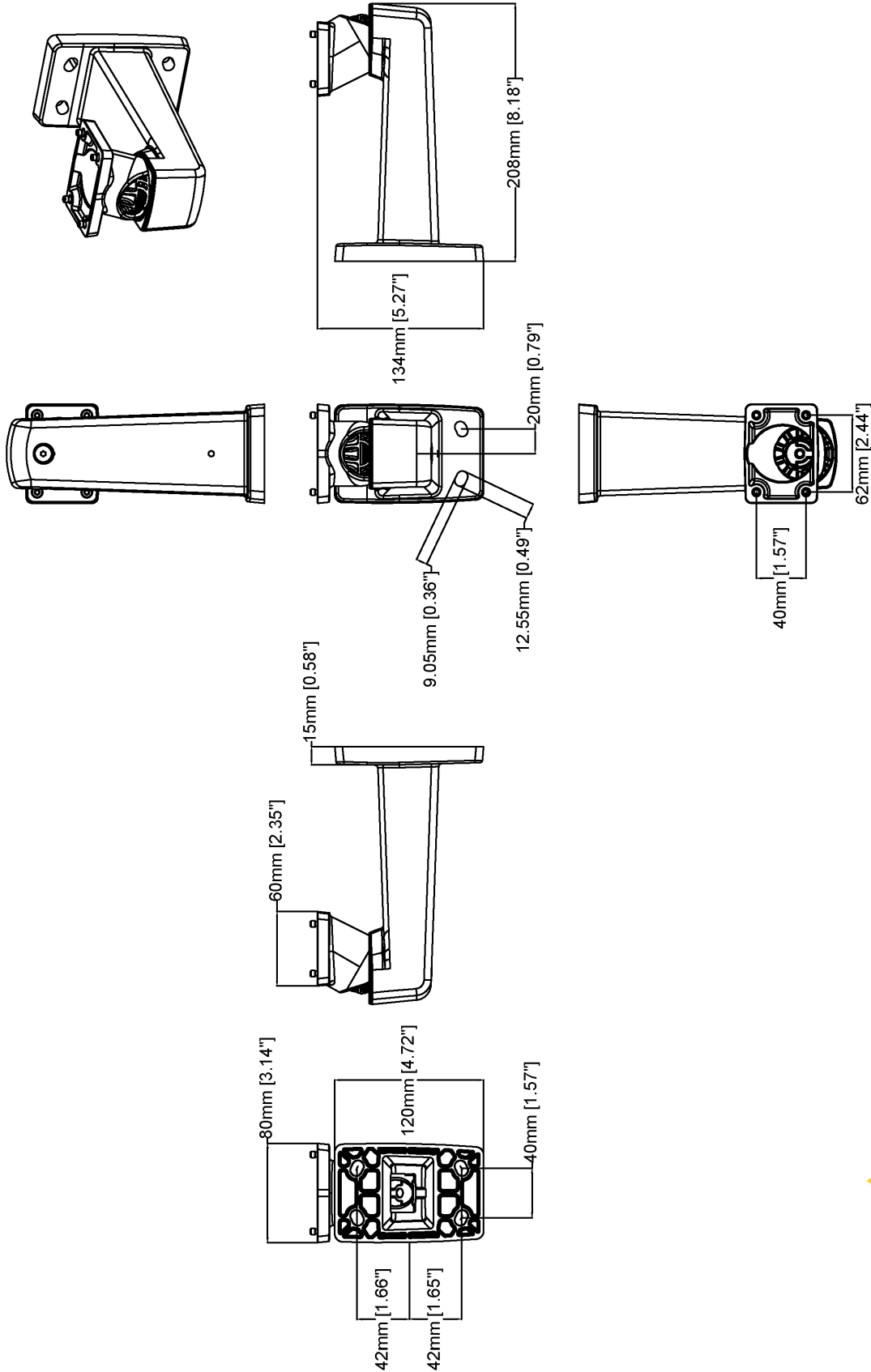
## AXIS TQ1003-E Wall Mount

### General

|                            |  |
|----------------------------|--|
| <b>Compatible products</b> | For a list of compatible products, see <a href="https://axis.com/products/axis-tq1003-e-wall-mount#compatible-products">axis.com/products/axis-tq1003-e-wall-mount#compatible-products</a> |
| <b>Maximum load</b>        | 7 kg (15.4 lb)   |
| <b>Angle</b>               | Pan: $\pm 100^\circ$<br>Tilt: +10 to $-65^\circ$<br>Rotation: $\pm 5^\circ$  |
| <b>Environment</b>         | Indoor and outdoor   |
| <b>Cable routing</b>       | Internal   |
| <b>Material</b>            | Powder coated, chromate aluminum<br>Color: white NCS S 1002-B  |

|                             |   |
|-----------------------------|---|
| <b>Sustainability</b>       | PVC free  |
| <b>Approvals</b>            | Environment<br>IEC/EN 60529 IP66/67, IEC/EN 62262 IK10, NEMA 250 Type 4X  |
| <b>Dimensions</b>           | 210 x 80 x 140 mm (8.3 x 3.1 x 5.5 in)<br>Effective Projected Area (EPA): 0.011 m <sup>2</sup> (0.118 ft <sup>2</sup> ) |
| <b>Weight</b>               | 695 g (1.5 lb)  |
| <b>Box content</b>          | Wall mount, installation guide  |
| <b>Required accessories</b> | TORX® T30 bit   |
| <b>Warranty</b>             | 3-year warranty, see <a href="https://axis.com/warranty">axis.com/warranty</a>  |

# Dimension drawing



|            |      |               |            |
|------------|------|---------------|------------|
| Revision   | v.02 | Revision date | 2022-12-01 |
| Paper size | A4   | Release date  | 2022-12-01 |
| Created by | MS   | Scale         | 1:4        |

© 2022 Axis Communications

**AXIS** COMMUNICATIONS  
 www.axis.com  
**AXIS TQ1003-E Wall Mount**

