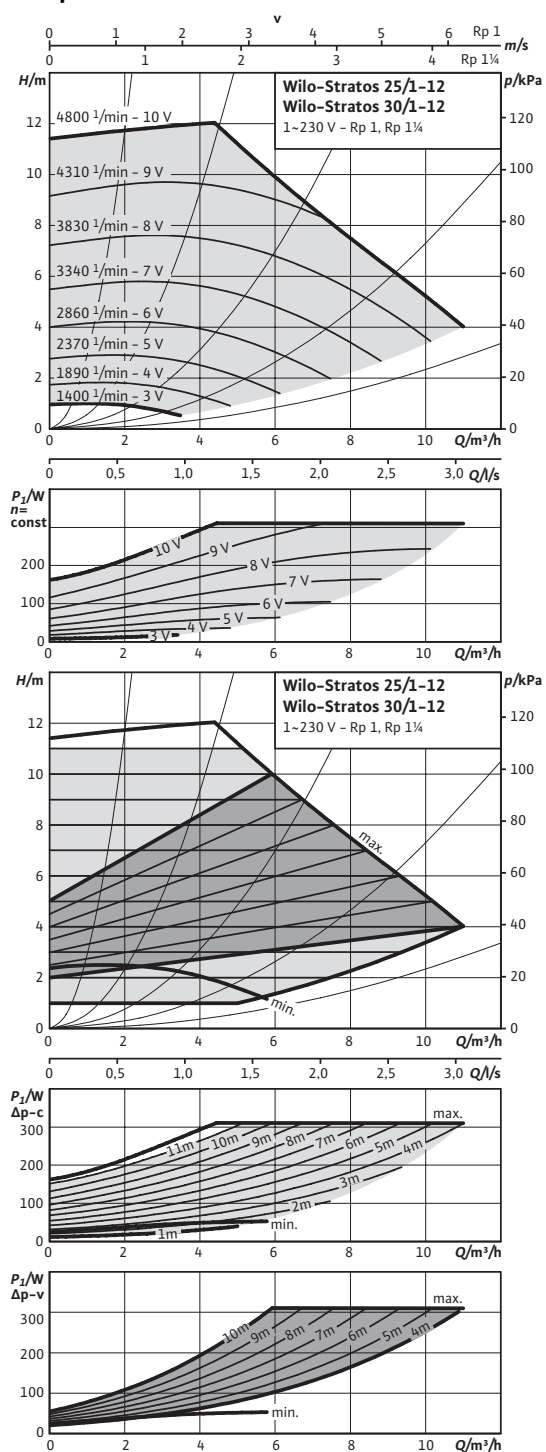


Data sheet: Wilo-Stratos 30/1-12

Pump curves



Approved fluids (other fluids on request)

Heating water (in accordance with VDI 2035)

Water-glycol mixtures (max. 1:1; above 20% admixture, the pumping data must be checked)

Permitted field of application

Temperature range at max. ambient temperature +40 °C

-10...+110 °C

Maximum permissible operating pressure

P_{max} 10 bar

Pipe connections

Threaded pipe union Rp 1¼

Thread G 2

Overall length l_o 180 mm

Motor/electronics

Energy efficiency index (EEI) ≤ 0.20

Electromagnetic compatibility EN 61800-3

Emitted interference EN 61000-6-3

Interference resistance EN 61000-6-2

Speed control Frequency converter

Protection class IP X4D

Insulation class F

Mains connection 1~230 V, 50/60 Hz

Nominal motor power P_2 200.00 W

Speed n 1400 - 4800 rpm

Power consumption P_1 12 - 310 W

Current consumption I 0.22 - 1.37 A

Motor protection integrated

Threaded cable connection PG 1x7/1x9/1x13.5

Materials

Pump housing Grey cast iron (EN-GJL-200)

Impeller Plastic (PPE - 30% GF)

Pump shaft Stainless steel (X30CR13)

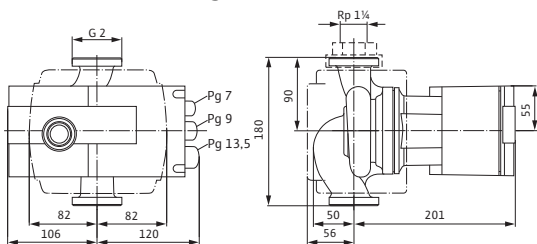
Bearing Carbon, metal impregnated

Minimum suction head at suction port for avoiding cavitation at water pumping temperature

Minimum suction head at 50 / 95 / 110 °C 3 / 10 / 16 m

Data sheet: Wilo-Stratos 30/1-12

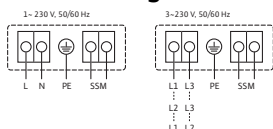
Dimension drawing



Information for order placements

Make	Wilo	
Type	Stratos 30/1-12	
Art no.	2090451	
Weight approx.	<i>m</i>	6 kg

Terminal diagram



Collective fault signal

(NC contact according to VDI 3814, load capacity 1 A,

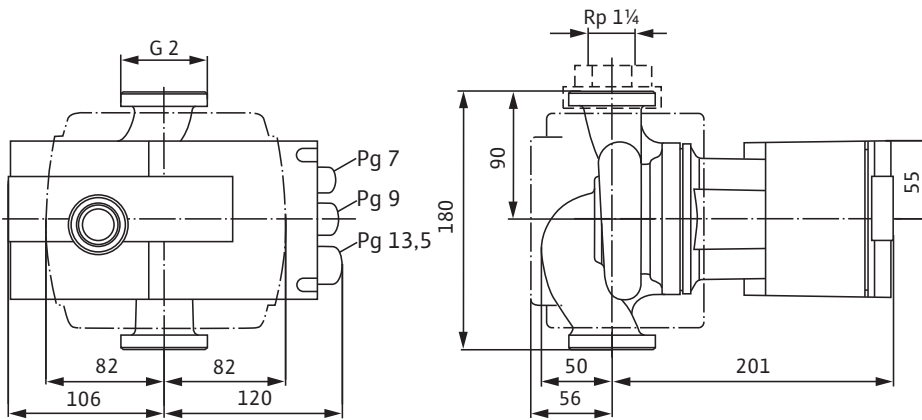
SSM: 250 V ~)

For function, see Wilo catalogue, chapter "Pump management Wilo-Control, consulting guide"



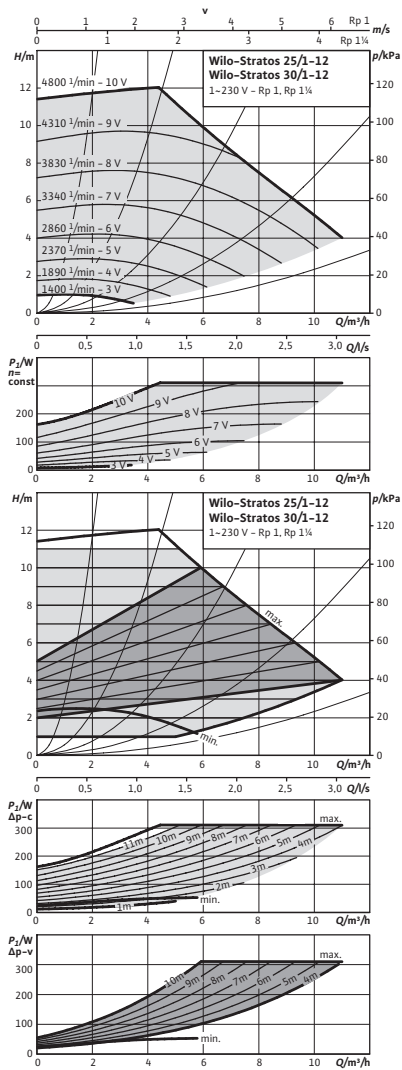
Dimensions and dimension drawings: Wilo-Stratos 30/1-12

Dimension drawing



Pump curves: Wilo-Stratos 30/1-12

Pump curves



Ordering information: Wilo-Stratos 30/1-12

Information for order placements		
Make	Wilo	
Type	Stratos 30/1-12	
Art no.	2090451	
EAN number	4016322994008	
Colour	green/black	
Minimum order quantity	1	
Minimum order quantity unit	PCE	
Weight (net)	<i>kg</i>	5.5
Length (net)	<i>mm</i>	180
Width (net)	<i>mm</i>	226
Height (net)	<i>mm</i>	262
Weight (gross)	<i>kg</i>	6.3
Length (gross)	<i>mm</i>	340
Width (gross)	<i>mm</i>	320
Height (gross)	<i>mm</i>	260
Packaging type	Cardboard box	
Packaging property	Transport packaging	
Pieces per pallet	30	
Number per layer	6	

Specification texts: Wilo-Stratos 30/1-12

Wilo-Stratos high-efficiency pump
electronically controlled,

Glandless circulation pump with minimum operating costs, for pipe installation. Can be used for all HVAC applications (-10 °C to +110 °C). With built-in electronic power control for constant/variable differential pressure. Standard-equipped thermal insulation shells. One-button manual operation level as standard, for:

- Pump On/Off
- Selecting the control mode:
- Automatic setback operation (self-learning)
- Setpoint or speed adjustment

Graphical pump display with rotatable display horizontal and vertical module mounting, for display of:

- Operating status
- Control mode
- Differential pressure or rotation speed setpoint
- Fault and alarm signals

Synchronous motor using ECM technology with very high efficiency and high starting torque, automatic deblocking function and built-in full motor protection.

Fault signal light, potential-free collective fault signal, infrared interface for wireless communication with Wilo IR-Monitor/IR-Stick operating and service device.

Plug-in slot for Wilo Stratos IF-modules with interfaces for building automation (BA) or dual pump management (accessories: IF-modules Stratos Modbus, BACnet, LON, CAN, PLR, Ext.Aus, Ext.Min, SBM, Ext.Aus/SBM or DP).

Pump housing made of cast iron with cataphoretic coating, impeller made of glass-fibre reinforced plastic, stainless steel shaft with metal impregnated carbon plain bearings.

For flange-end pumps – flange versions:

- Standard version for pumps DN 32 to DN 65: Combination flange PN 6/10 (flange PN 16 acc. to EN 1092-2) for counter flanges PN 6 and PN 16
- Standard version for pumps DN 80 / DN 100: Flange PN 6 (configured for PN 16 acc. to EN 1092-2) for counter flange PN 6
- Special version for pumps DN 32 to DN 100: Flange PN 16 (acc. to EN 1092-2) for counter flange PN 16

Materials

Pump housing: Grey cast iron (EN-GJL-200)

Impeller: Plastic (PPE – 30% GF)

Pump shaft: Stainless steel (X30CR13)

Bearing: Carbon, metal impregnated

Approved fluids (other fluids on request)

Max. volume flow: 11 m³/h

Max. delivery head: 11 m

Pipe connections

Threaded pipe union: Rp 1¼

Thread: G 2

Overall length: 180 mm

Motor/electronics

Energy efficiency index (EEI): ≤ 0.20

Electromagnetic compatibility: EN 61800-3

Specification texts: Wilo-Stratos 30/1-12

Emitted interference: EN 61000-6-3

Interference resistance: EN 61000-6-2

Speed control: Frequency converter

Protection class: IP X4D

Insulation class: F

Mains connection: 1~230 V, 50/60 Hz

Mains frequency: 50/60 Hz

Nominal motor power: 200 W

Speed: 1400 - 4800 rpm

Power consumption 1~230 V: 12 - 310 W

Current at 1~230V: 0.22 - 1.37 A

Motor protection: integrated

Threaded cable connection: 1x7/1x9/1x13.5

Information for order placements

Art no.: 2090451

EAN number: 4016322994008

Weight approx.: 6 kg

Make: Wilo

Type: Stratos 30/1-12

Installation positions: Wilo-Stratos 30/1-12

asim:tr(use.title1)}

asim:tr(use.title2)}

