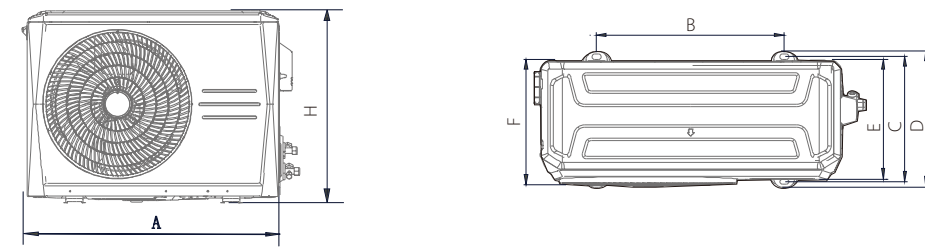


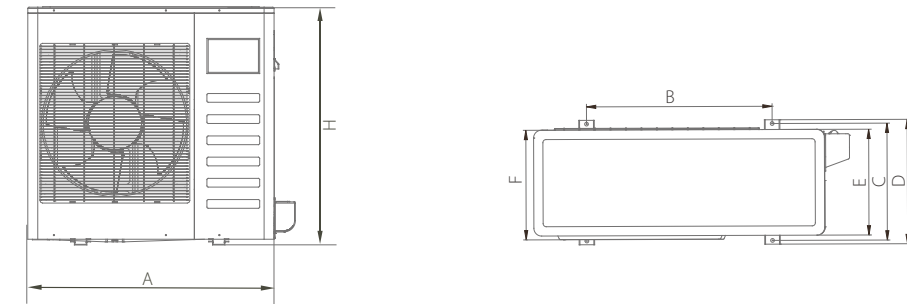
Dimensions (Unit: mm)

MCCU-03CN1A MCCU-05CN1A MCCU-07CN1A



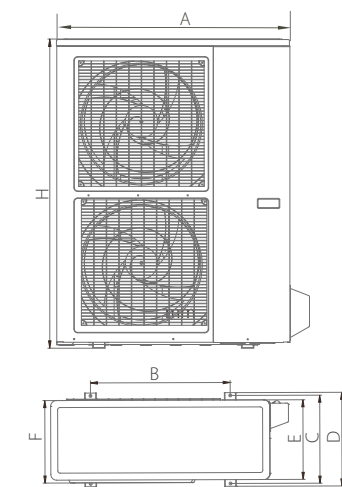
Model	A	B	C	D	E	F	H
MCCU-03CN1A	722	453	302	327	260	300	555
MCCU-05CN1A	795	514	340	365	287	330	550

MCCU-10CN1



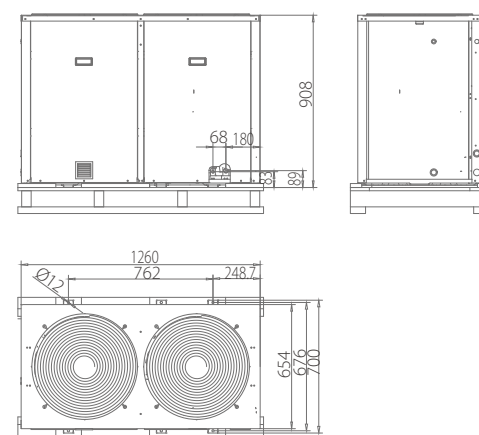
MODEL	A	B	C	D	E	F	H
MCCU-10CN1	990	624	366	396	340	345	965

MCCU-14CN1, MCCU-16CN1

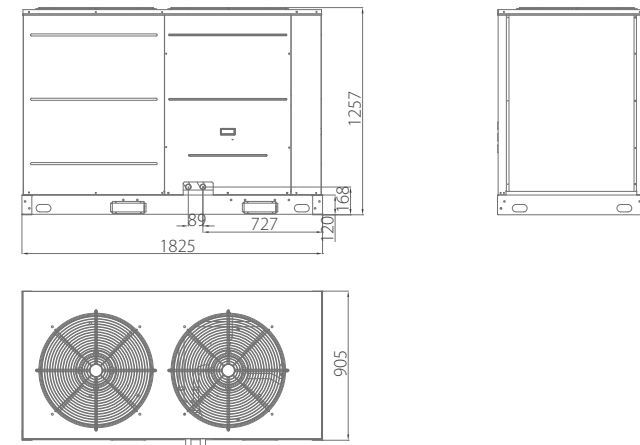


MODEL	A	B	C	D	E	F	H
MCCU-14CN1	900	590	-	400	330	350	1170
MCCU-16CN1							

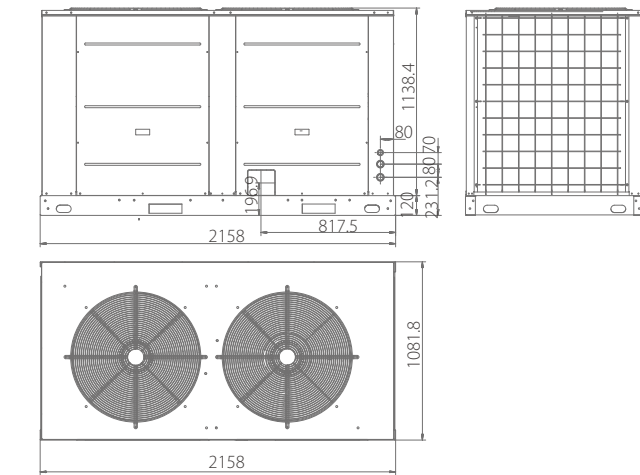
MCCU-22CN1, MCCU-28CN1



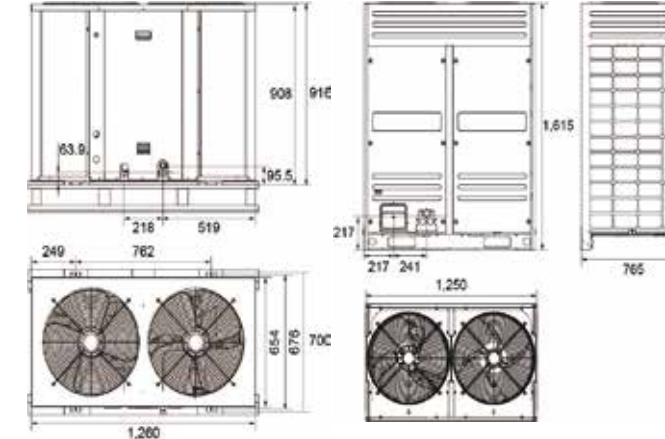
MCCU-53CN1, MCCU-61CN1



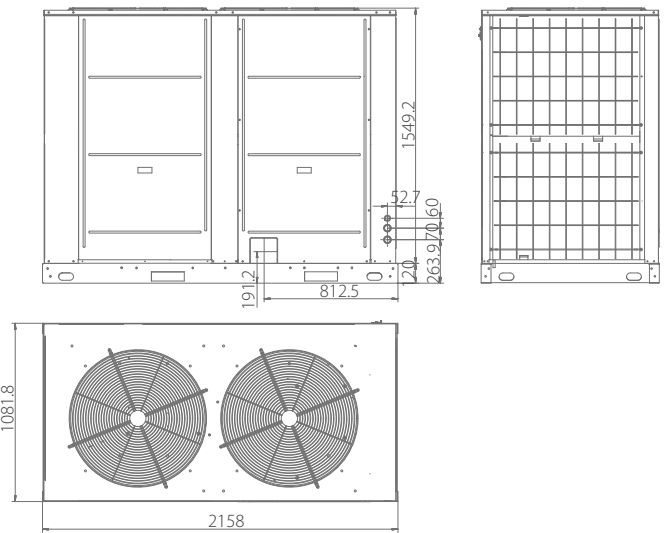
MCCU-70CN1



MCCU-35CN1, MCCU-45CN1



MCCU-105CN1



Commercial Air Conditioner Division Midea Group

Add.: Midea Headquarters Building, 6 Midea Avenue, Shunde, Foshan, Guangdong, China

Postal code: 528311

cac.midea.com global.midea.com



Note: Product specifications change from time to time as product improvements and developments are released and may vary from those in this document.



Compressor Condensing Unit Cooling Only



Compressor condensing unit series

High efficiency compressor

- ❖ High efficiency rotary & scroll compressor. Models below 7.1kW adopt rotary compressor. Models above 7.1kW adopt scroll compressor.
- ❖ Compressor with thermal protector that prevents motor overheating.
- ❖ Compact size and light weight, simple design.



Direct drive motor

- ❖ Direct drive, less wear parts, higher efficiency.
- ❖ High anti-corrosion aluminum blades, double direct-drive motors. (Available for top-discharge type)



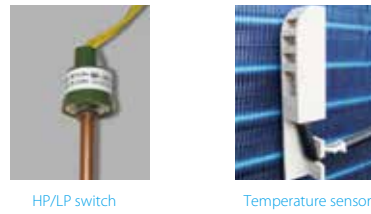
High performance heat exchanger

- ❖ The heat-exchanger fins are coated with anti-corrosive and hydrophilic layers to assure longer coil life and save maintenance cost.
- ❖ Inner grooved copper pipe enhance heat exchange efficiency.



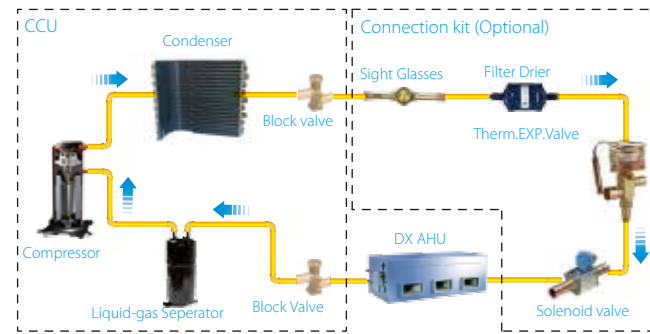
High reliability

- ❖ Multi-measurements to ensure units operate normally and reliably.
- ❖ Self-diagnosis function (Available for units >7.1kW)
- ❖ Phase fault protection (Available for 3Ph units)
- ❖ High/Low pressure switch protection (Available for units >7.1kW)
- ❖ Temperature sensor on/off protection.



Simple refrigerant system, easy installation & maintenance

- ❖ Refrigerant system, without water frozen damage during winter time.
- ❖ No need anti-freezing fluid to reduce installation and maintenance cost.
- ❖ Connection kits is optional: Sight glass, Drier filter, Therm. EXP valve, Solenoid valve & solenoid valve coil.



Specifications



Model		MCCU-03CN1A		MCCU-05CN1A		MCCU-07CN1A	
Power supply	-	220-240V~, 1Ph, 50hz		220-240V~, 1Ph, 50hz		220-240V~, 1Ph, 50hz	
Ambient temperature range	-	17°C~46°C		17°C~46°C		17°C~46°C	
Cooling	Capacity	W	3,200	5,300	7,100		
	Input	W	1,300	1,950	2,540		
Refrigerant (Type / Charged)	g	R410A / 750		R410A / 960		R410A / 1,400	
Compressor	Model	-	PA150X2C-4FT	PA225M2CS-4KU2	PA290G2CS-4MU1		
	Quantity	-	1	1	1		
Fan motor model (xQuantity)	-	YKT-25-6-51(x1)		YKT-25-6-51(x1)		YKT-25-6-51(x1)	
Noise level	dB(A)	49		55		55	
Coil	Type	Copper tube and aluminum fin					
	Tube size	mm	Φ7		Φ7		Φ7
Refrigerant pipe	Liquid/Gas	mm	Φ6.35/Φ12.7	Φ6.35/Φ12.7	Φ9.53/Φ12.7		
Dimension (WxHxD)	mm	722x555x300		795x550x330		795x555x330	
Packing (WxHxD)	mm	845x630x390		915x630x420		915x630x420	
Net/Gross weight	kg	30/33		35.5/38.5		41/44	
Connection kit (Optional)		CCU-10N1(C)		CCU-11N1(C)		CCU-01N1(C)	
Therm. EXP. valve	Model / Qty.	-	BAE1 ZW195 / 1	BAE1.5 ZW195 / 1	BAE2 ZW195 / 1		
Drier filter	Model / Qty.	-	DML032s / 1	DML032s / 1	DML033s / 1		
Sight glass	Model / Qty.	-	SGP 6sN / 1	SGP 6sN / 1	SGP 10sN / 1		
Solenoid valve	Model / Qty.	-	EVR3 / 1	EVR3 / 1	EVR3 / 1		
Solenoid valve coil	Model / Qty.	-	DCFQ-018F6905 / 1	DCFQ-018F6905 / 1	DCFQ-018F6905 / 1		
Packing (WxHxD)	mm	400x215x290		400x215x290		400x215x290	

Model		MCCU-10CN1		MCCU-14CN1		MCCU-16CN1	
Power supply	-	380-415V~, 3Ph, 50hz		380-415V~, 3Ph, 50hz		380-415V~, 3Ph, 50hz	
Ambient temperature range	-	17°C~46°C		17°C~46°C		17°C~46°C	
Cooling	Capacity	W	10,500	14,000	16,000		
	Input	W	4,000	5,200	6,200		
Refrigerant (Type / Charged)	g	R410A / 2,500		R410A / 3,000		R410A / 3,050	
Compressor	Model	-	C-SBN303H8D	C-SBN373H8D	C-SBN453H8D		
	Quantity	-	1	1	1		
Fan motor model (xQuantity)	-	YDK190-6D(B) (x1)		YDK65-6F(B) (x2)		YDK65-6F(B) (x2)	
Noise level	dB(A)	56		56		57	
Coil	Type	Copper tube and aluminum fin					
	Tube size	mm	Φ7		Φ7		Φ7.94
Refrigerant pipe	Liquid/Gas	mm	Φ9.52/Φ19		Φ9.52/Φ19		Φ9.52/Φ19
Dimension (WxHxD)	mm	1,077x967x396		987x1,167x400		987x1,167x400	
Packing (WxHxD)	mm	1,120x1,100x435		1,032x1,307x443		1,032x1,307x443	
Net/Gross weight	kg	85.8/95.6		91.6/102		96.6/107	
Connection kit (Optional)		CCU-02N1(C)		CCU-03N1(C)		CCU-04N1(C)	
Therm. EXP. valve	Model / Qty.	-	BAE3 ZW195 / 1	TGEL4.5 / 1	TGEL4.5 / 1		
Drier filter	Model / Qty.	-	DML033s / 1	DML053S / 1	DML053S / 1		
Sight glass	Model / Qty.	-	SGP 10sN / 1	SGP 10sN / 1	SGP 10sN / 1		
Solenoid valve	Model / Qty.	-	EVR6 / 1	EVR6 / 1	EVR6 / 1		
Solenoid valve coil	Model / Qty.	-	DCFQ-018F6905 / 1	DCFQ-018F6905 / 1	DCFQ-018F6905 / 1		
Packing (WxHxD)	mm	400x215x290		400x215x290		400x215x290	

Specifications



Model		MCCU-22CN1		MCCU-28CN1		MCCU-35CN1		MCCU-45CN1	
Power supply	-	380-415V~, 3Ph, 50Hz		380-415V~, 3Ph, 50Hz		380-400V~, 3Ph, 50Hz		380-415V~, 3Ph, 50Hz	
Ambient temperature range	-	17°C~52°C		17°C~52°C		17°C~52°C		17°C~46°C	
Cooling	Capacity	W	22,000	28,000	35,000	45,000			
	Input	W	7,586	9,590	12,623	17,600			
Refrigerant (Type / Charged)	g	R410A / 5,400		R410A / 6,000		R410A / 7,200		R410A / 10,000	
Compressor	Model	-	ZP90KCE-TFD-522	ZP120KCE-TFD-522	SH140A4ALC	E605DH-59D2YG			
	Quantity	-	1	1	1	3			
Fan motor model (xQuantity)	-	YDK210-6A (x2)		YDK400-4C (x2)		YDK400-4C (x2)		YDK380-4D (x2)	
Noise level	dB(A)	65		69		69		70	
Coil	Type	Copper tube and aluminum fin							
	Tube size	mm	Φ7.94		Φ7		Φ7		Φ7.94
Refrigerant pipe	Liquid/Gas	mm	Φ9.53/ Φ22		Φ9.53/ Φ25		Φ12.7/ Φ28.6		Φ16/ Φ32
Dimension (WxHxD)	mm	1,255x908x700		1,255x908x700		1,255x908x700		1,250x1,615x765	
Packing (WxHxD)	mm	1,320x1,060x730		1,320x1,060x730		1,320x1,060x730		1,310x1,780x825	
Net/Gross weight	kg	171/190		185/202		199/215		288/308	
Connection kit (Optional)		CCU-05N1(C)		CCU-06N1(C)		CCU-07N1(C)		CCU-08N1(C)	
Therm. EXP. valve	Model / Qty.	-	TGEL6.5 / 1	TGEL9 / 1	TGEL13 / 1	TGEL13 / 1			
Drier filter	Model / Qty.	-	DML083s / 1	DML164s / 1	DML164s / 1	DML165s / 1			
Sight glass	Model / Qty.	-	SGN+10s / 1	SGN+12s / 1	SGN+12s / 1	SGNP 16sl / 1			
Solenoid valve	Model / Qty.	-	EVR6 / 1	EVR10 / 1	EVR10 / 1	EVR15 / 1			
Solenoid valve coil	Model / Qty.	-	018F6905 / 1	018F6905 / 1	018F6905 / 1	018F6905 / 1			
Packing (WxHxD)	mm	400x290x215		400x290x215		400x290x215		400x215x290	

Model		MCCU-53CN1		MCCU-61CN1		MCCU-70CN1		MCCU-105CN1	
Power supply	-	380-400V~, 3Ph, 50Hz		380-400V~, 3Ph, 50Hz		380-400V~, 3Ph, 50Hz		380-400V~, 3Ph, 50Hz	
Ambient temperature range	-	17°C~46°C		17°C~46°C		17°C~46°C		17°C~46°C	
Cooling	Capacity	W	53,000	61,000	70,000	105,000			
	Input	W	16,800	19,000	22,000	28,000			
Refrigerant (Type / Charged)	g	R410A / 11,000		R410A / 12,400		R410A / 17,000		R410A / 18,000	
Compressor	Model	-	SH105A4ALC	SH120A4ALC	SH140A4ALC	SH184A4ALC			
	Quantity	-	2	2	2	2			
Fan motor model (xQuantity)	-	YS600-6P (x2)		YS1100-6 (x2)		YS1100-6 (x2)		YS1500-6 (x2)	
Noise level	dB(A)	73		76		76		78	
Coil	Type	Copper tube and aluminum fin							
	Tube size	mm	Φ7.94		Φ7.94		Φ7.94		Φ7
Refrigerant pipe	Liquid/Gas	mm	Φ12.7/Φ25 (x2)		Φ12.7/Φ25 (x2)		Φ12.7/Φ25 (x2)		Φ12.7/Φ25 (x2)
Dimension (WxHxD)	mm	1,825x1,245x899		1,825x1,245x899		2,158x1,260x1,082		2,158x1,670x1,082	
Packing (WxHxD)	mm	1,844x1,272x924		1,844x1,272x924		2,168x1,275x1,105		2,168x1,686x1,105	
Net/Gross weight	kg	395/405		395/405		508/523		570/582	
Connection kit (Optional)		CCU-13N1(C)		CCU-13N1(C)		CCU-14N1(C)		CCU-15N1(C)	
Therm. EXP. valve	Model / Qty.	-	TGEL9 / 2	TGEL9 / 2	TGEL13 067N3177 / 2	TGEL15 067N3159 / 2			
Drier filter	Model / Qty.	-	DML305 / 2	DML305 / 2	DML305F5 / 2	DML305F5 / 2			
Sight glass	Model / Qty.	-	SGP 12SN / 2	SGP 12SN / 2	SGP 12SN / 2	SGP 16SN / 2			
Solenoid valve	Model / Qty.	-	EVR10 / 2	EVR10 / 2	EVR10 / 2	EVR10 / 2			
Solenoid valve coil	Model / Qty.	-	018F6251 / 2	018F6251 / 2	018F6251 / 2	018F6251 / 2			
Packing (WxHxD)	mm	290x265x226		290x265x226		290x265x226		290x265x226	