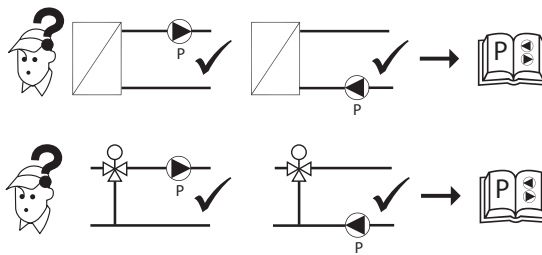
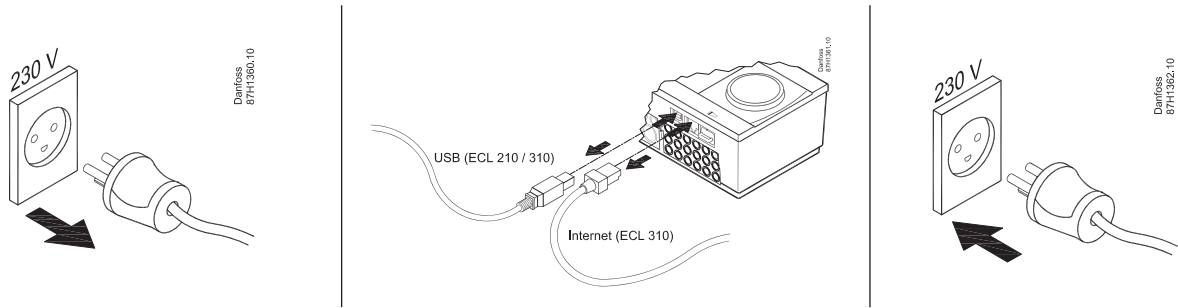
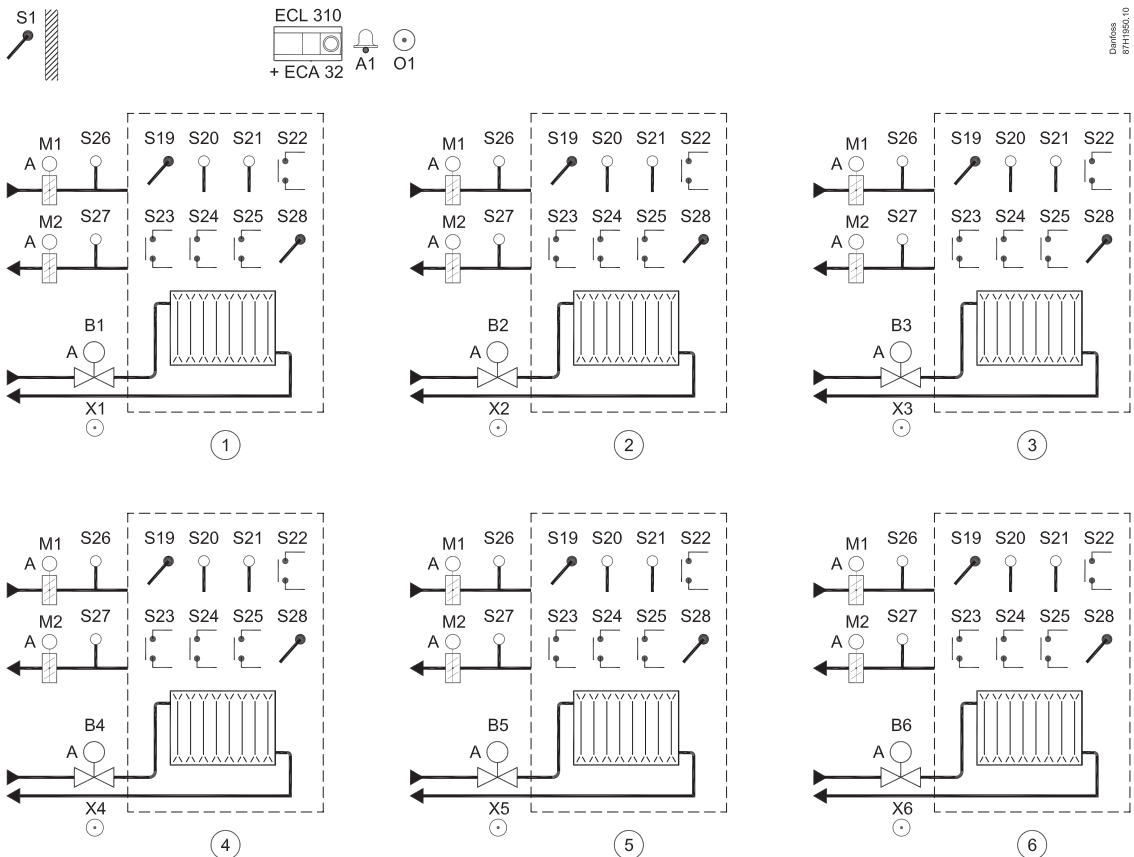


Installation Guide

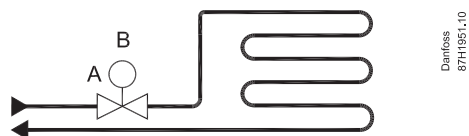
# ECL Comfort 310, 24 Volt, P302 (code no. 087H3839) (P302.1)



**P302.1**



Alternative



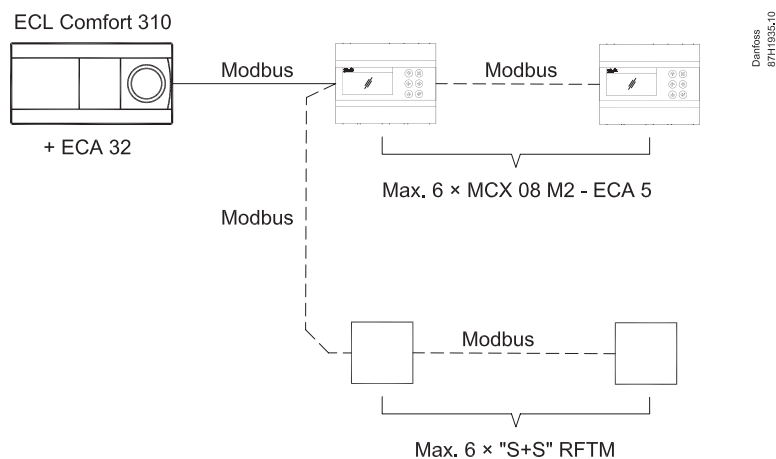
DK



System

|  | Inputs:   | Outputs:   |
|--|---|--|
| ECL Comfort 310<br><br>+ ECA 32<br><small>Danfoss 87H1952.10</small> | S1, (S2, S3, S4, S5, S6, S7)  | B1, B2, B3, B4, B5, B6<br>X1, X2, X3, X4, X5, X6<br>ECA 32: A1, O1 |
| MCX 08 M2 - ECA 5<br><br><small>Danfoss 87H1953.10</small>           | S22 (DI 1), S23 (DI 2), S24 (DI 3), S25 (DI 4),<br>DI 6, DI 7, DI 8<br>S26 (AI 1), S27 (AI 2), S28 (AI 4) | AO 2<br>M1 (AO 3), M2 (AO 4)<br>DO 3, DO 4, DO 5, DO 7             |
| "S+S" RFTM<br><br><small>Danfoss 87H1954.10</small>                  | S19, S20, S21   |  |

Modbus system



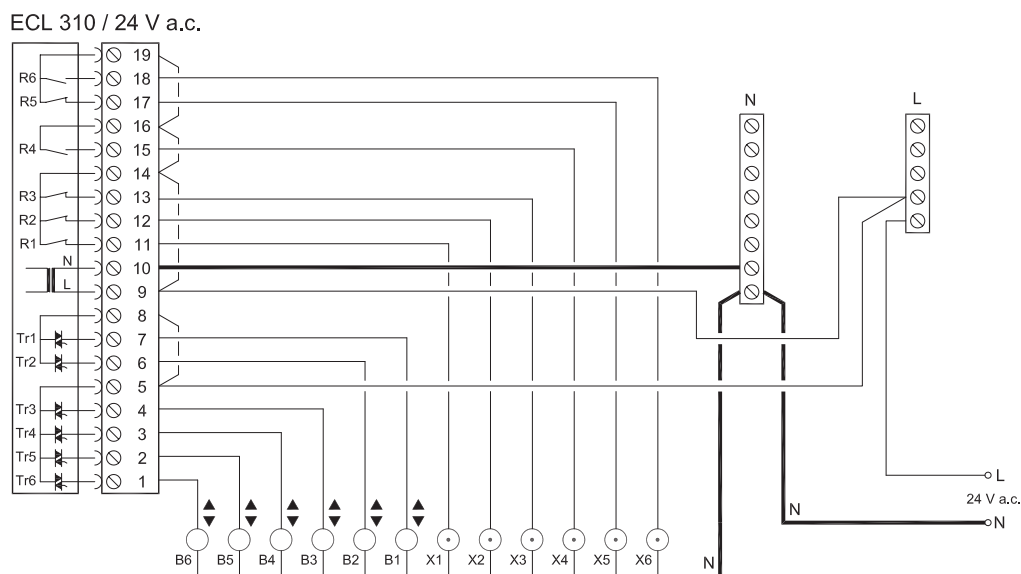
**ECL Comfort 310**  
24 V a.c.

|    |  |                     |
|----|--|---------------------|
| R  |  | 4 (2) A / 24 V a.c. |
| R  |  |                     |
| Tr |  | 1 A / 24 V a.c.     |

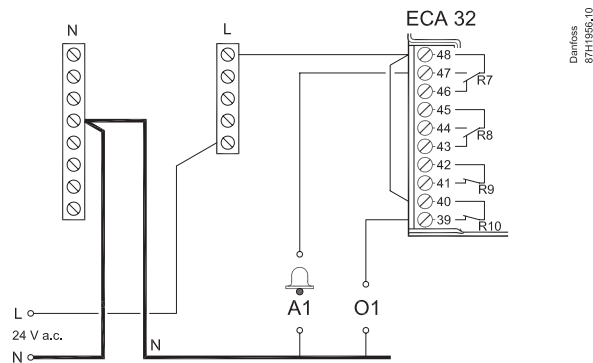
**ECL Comfort 310 / MCX 08 M2 - ECA 5**

|           | ECL 310 |   | MCX 08 M2 - ECA 5<br>#1, #2, #3, #4, #5, #6 |
|-----------|---------|---|---|
| <b>B1</b> | Tr. 1   | ~ | AO 2 / DO 5                                 |
| <b>B2</b> | Tr. 2   | ~ | AO 2 / DO 5                                 |
| <b>B3</b> | Tr. 3   | ~ | AO 2 / DO 5                                 |
| <b>B4</b> | Tr. 4   | ~ | AO 2 / DO 5                                 |
| <b>B5</b> | Tr. 5   | ~ | AO 2 / DO 5                                 |
| <b>B6</b> | Tr. 6   | ~ | AO 2 / DO 5                                 |

**ECL Comfort 310, 24 V a.c.**



ECA 32, 24 V a.c.



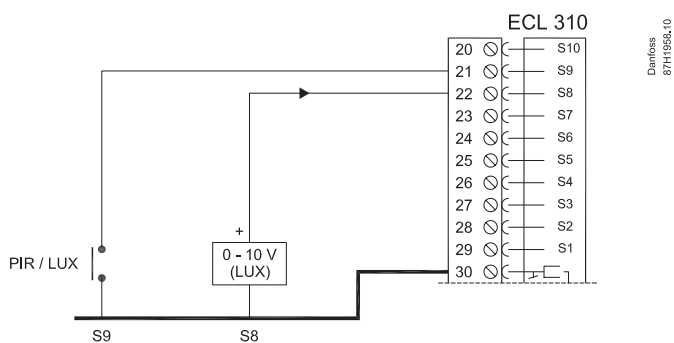
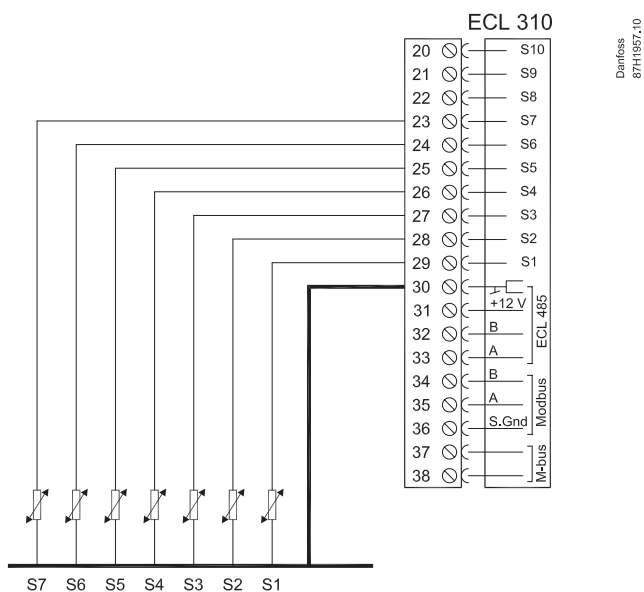
MCX 08 M2 - ECA 5



ECL Comfort 310  
P302.1

ECL Comfort 310

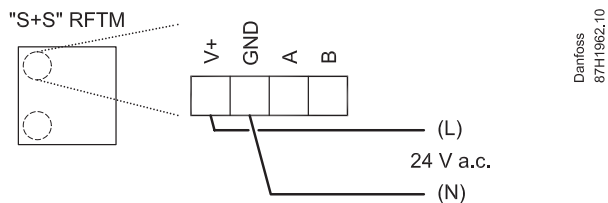
|           |                     |   |                     |
|-----------|---------------------|---|---------------------|
| <b>S1</b> | Pt 1000             |   |                     |
| <b>S2</b> | Pt 1000             | ~ | S19 ( zone 1), RFTM |
| <b>S3</b> | Pt 1000             | ~ | S19 ( zone 2), RFTM |
| <b>S4</b> | Pt 1000             | ~ | S19 ( zone 3), RFTM |
| <b>S5</b> | Pt 1000             | ~ | S19 ( zone 4), RFTM |
| <b>S6</b> | Pt 1000             | ~ | S19 ( zone 5), RFTM |
| <b>S7</b> | Pt 1000             | ~ | S19 ( zone 6), RFTM |
| <b>S8</b> | LUX (0 - 10 Volt)   |   |                     |
| <b>S9</b> | PIR / LUX (Digital) |   |                     |



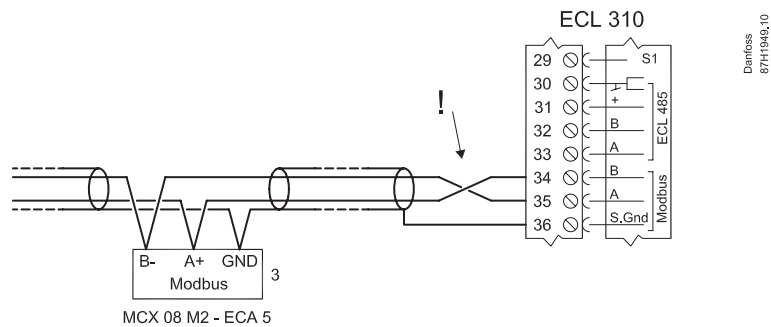
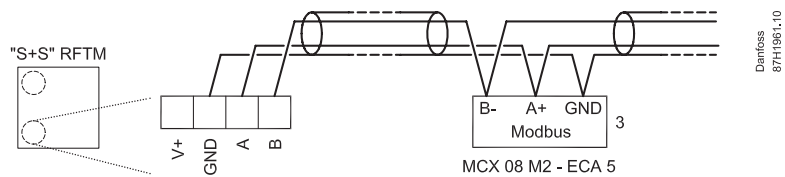
**"S+S", RFTM**

| S19 | RFTM | Temperature |
|-----|------|-------------|
| S20 | RFTM | PPM         |
| S21 | RFTM | % RH        |

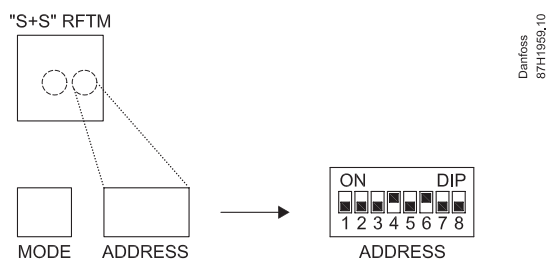
**Power  
24 Volt a.c.**



**Modbus**

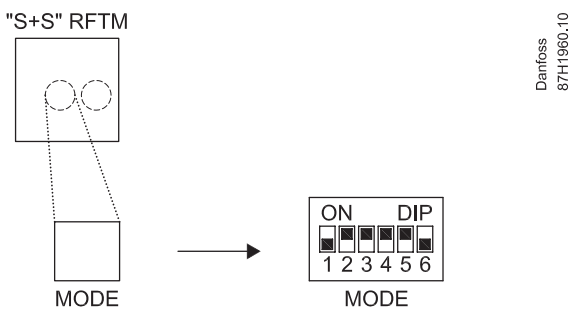


**Address**



| DIP            | 1   | 2   | 3   | 4  | 5   | 6   | 7   | 8   |
|----------------|-----|-----|-----|----|-----|-----|-----|-----|
| <b>Address</b> |     |     |     |    |     |     |     |     |
| <b>#1</b>      | OFF | OFF | OFF | ON | OFF | OFF | OFF | ON  |
| <b>#2</b>      | OFF | OFF | OFF | ON | OFF | OFF | ON  | OFF |
| <b>#3</b>      | OFF | OFF | OFF | ON | OFF | OFF | ON  | ON  |
| <b>#4</b>      | OFF | OFF | OFF | ON | OFF | ON  | OFF | OFF |
| <b>#5</b>      | OFF | OFF | OFF | ON | OFF | ON  | OFF | ON  |
| <b>#6</b>      | OFF | OFF | OFF | ON | OFF | ON  | ON  | OFF |

**Modes**



| DIP              | 1   | 2   |   | DIP           | 3   |   | DIP   | 4   |   | DIP              | 5   |   | DIP                    | 6   |   |
|------------------|-----|-----|---|---------------|-----|---|---|-----|---|------------------|-----|---|------------------------|-----|---|
| <b>Baud rate</b> |     |     |   | <b>Parity</b> |     |   | <b>Parity check</b>                             |     |   | <b>8N1-modus</b> |     |   | <b>Bus termination</b> |     |   |
| <b>9600</b>      | ON  | OFF |   | <b>Even</b>   | ON  | ✓ | <b>Active</b><br>(1 stop bit)                   | ON  | ✓ | <b>Active</b>    | ON  | ✓ | <b>Active</b>          | ON  |   |
| <b>19200</b>     | ON  | ON  |   | <b>Odd</b>    | OFF |   | <b>Inactive</b><br>(no parity)<br>(2 stop bits) | OFF |   | <b>Inactive</b>  | OFF |   | <b>Inactive</b>        | OFF | ✓ |
| <b>38400</b>     | OFF | ON  | ✓ |               |     |   |   |     |   |                  |     |   |                        |     |   |

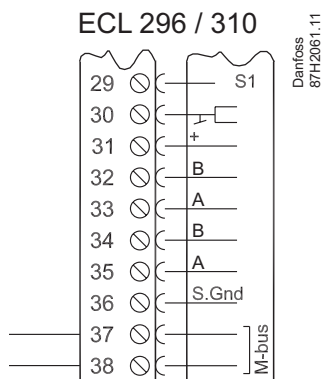
**MCX 08 M2 - ECA 5**



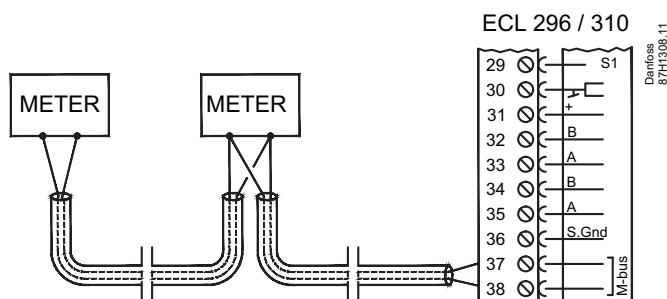
**MCX 08 M2 - ECA 5**

|            |     |                     |          |
|------------|-----|---------------------|----------|
| <b>S22</b> | MCX | PIR, digital        | Digital  |
| <b>S23</b> | MCX | WINDOW              | Digital  |
| <b>S24</b> | MCX | Contact             | Digital  |
| <b>S25</b> | MCX | Contact             | Digital  |
| <b>S26</b> | MCX | VAV inlet volume    | 0 - 10 V |
| <b>S27</b> | MCX | VAV outlet volume   | 0 - 10 V |
| <b>S28</b> | MCX | Temperature, window | Pt 1000  |

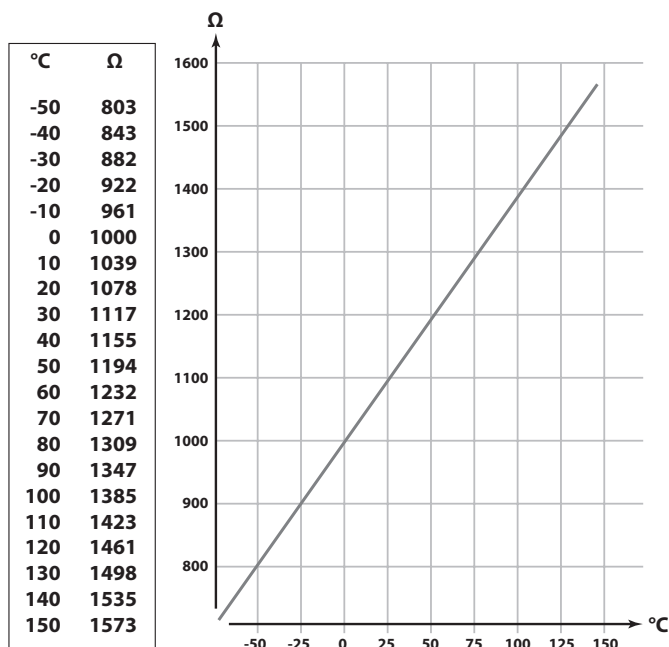
M-bus



M-bus



Pt 1000 (IEC 751B, 1000  $\Omega$  / 0 °C)

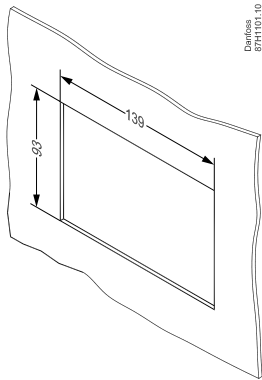




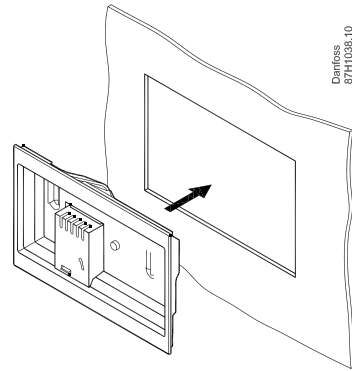
Installation Guide, ECL Comfort 310, 24 Volt, P302

ECA 30

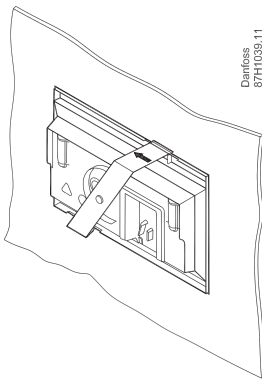
1



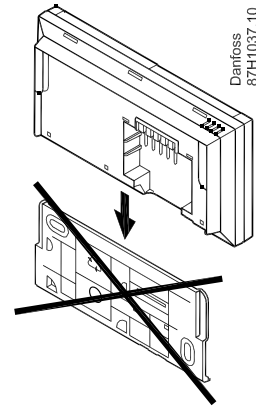
2



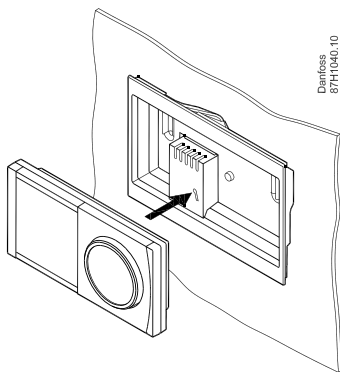
3



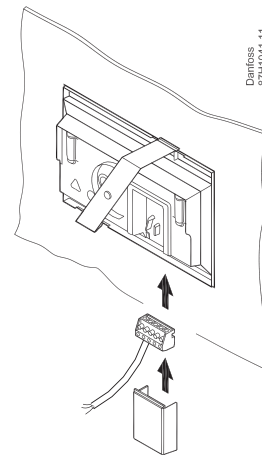
4



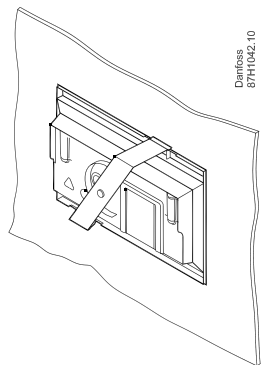
5



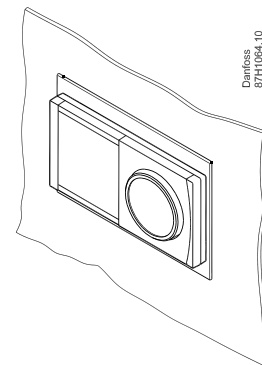
6



7



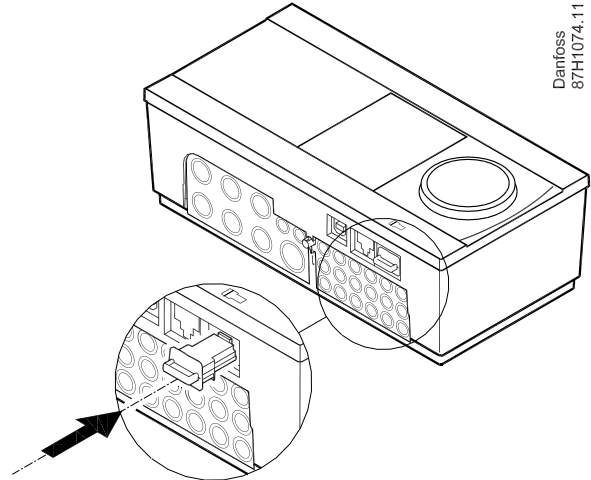
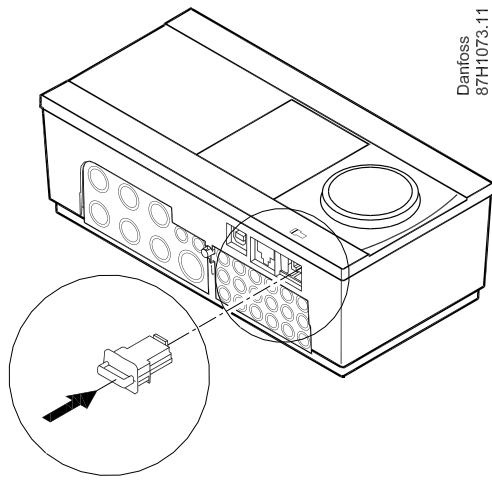
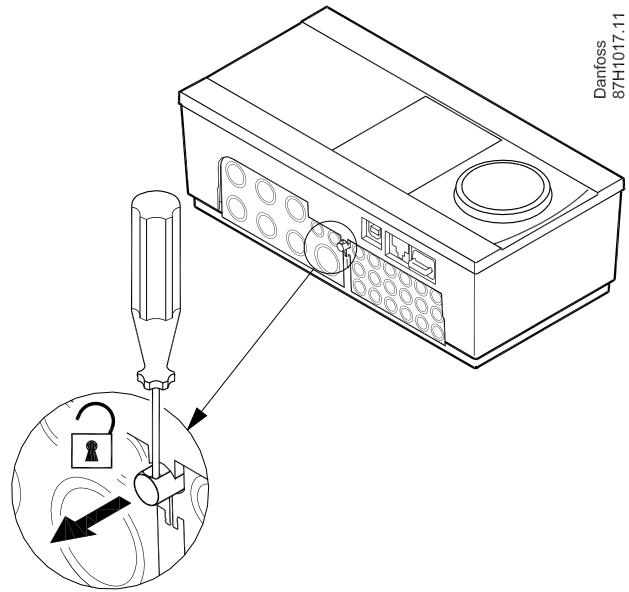
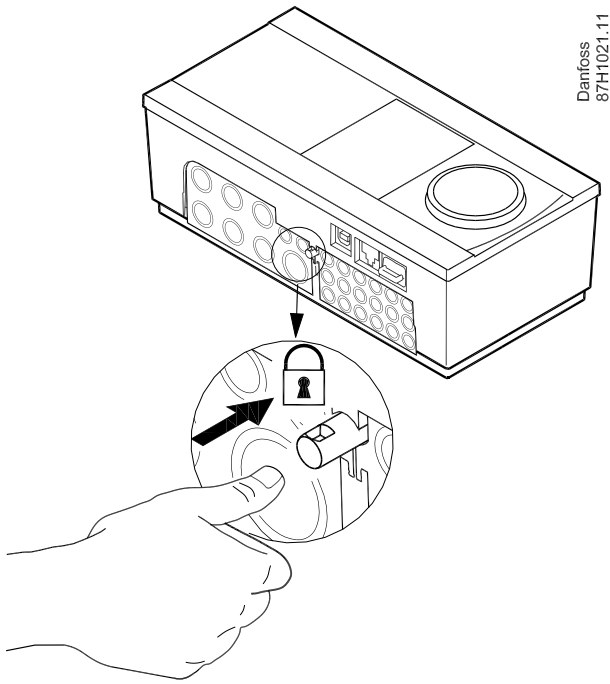
8







Installation Guide, ECL Comfort 310, 24 Volt, P302



? **ECL Comfort 310, P302: [www.danfoss.com](http://www.danfoss.com) or [store.danfoss.com](http://store.danfoss.com)**

? **<https://www.youtube.com/user/Danfoss> Climate Solutions for heating  
-> Playlists -> How-to Videos -> District Energy installation videos**



**Danfoss A/S**  
Climate Solutions • [danfoss.com](http://danfoss.com) • +45 7488 2222



Any information, including, but not limited to information on selection of product, its application or use, product design, weight, dimensions, capacity or any other technical data in product manuals, catalogues descriptions, advertisements, etc. and whether made available in writing, orally, electronically, online or via download, shall be considered informative, and is only binding if and to the extent, explicit reference is made in a quotation or order confirmation. Danfoss cannot accept any responsibility for possible errors in catalogues, brochures, videos and other material. Danfoss reserves the right to alter its products without notice. This also applies to products ordered but not delivered provided that such alterations can be made without changes to form, fit or function of the product.

All trademarks in this material are property of Danfoss A/S or Danfoss group companies. Danfoss and the Danfoss logo are trademarks of Danfoss A/S. All rights reserved.