
Instruction Manual

Model FU20
pH/ORP Combination sensor



(BG)

Всички улътвания за продукти от серията ATEX Ex се предлагат на английски език. Ако се нуждаете от улътвания за продукти от серията Ex на родния ви език, се свържете с най-близкия офис или представителство на фирма Yokogawa.

(CZ)

Všechny uživatelské příručky pro výrobky, na něž se vztahuje nevýbušné schválení ATEX Ex, jsou dostupné v angličtině. Požadujete-li pokyny týkající se výrobků s nevýbušným schválením ve vašem lokálním jazyku, kontaktujte prosím vaši nejbližší reprezentační kancelář Yokogawa.

(D)

Alle Betriebsanleitungen für ATEX Ex bezogene Produkte stehen in den Sprachen Englisch. Sollten Sie die Betriebsanleitungen für Ex-Produkte in Ihrer Landessprache benötigen, setzen Sie sich bitte mit Ihrem örtlichem Yokogawa-Vertreter in Verbindung.

(DK)

Alle brugervejledninger for produkter relateret til CE er tilgængelige på engelsk. Skulle De ønske yderligere oplysninger om håndtering af CE produkter på eget sprog, kan De rette henvendelse herom til den nærmeste Yokogawa afdeling eller forhandler.

(EST)

Kõik ATEX Ex toodete kasutamishendid on esitatud inglise keeles. Ex seadmete muukeelse dokumentatsiooni saamiseks pöörduge lähima lokagava (Yokogawa) kontori või esindaja poole.

(E)

Todos los manuales de instrucciones para los productos antiexplosivos de ATEX están disponibles en inglés. Si desea solicitar las instrucciones de estos artículos antiexplosivos en su idioma local, deberá ponerse en contacto con la oficina o el representante de Yokogawa más cercano.

(F)

Tous les manuels d'instruction des produits ATEX Ex sont disponibles en langue anglaise. Si vous nécessitez des instructions relatives aux produits Ex dans votre langue, veuillez bien contacter votre représentant Yokogawa le plus proche.

(GB)

All instruction manuals for ATEX Ex related products are available in English. Should you require Ex related instructions in your local language, you are to contact your nearest Yokogawa office or representative.

(GR)

Όλα τα εγχειρίδια λειτουργίας των προϊόντων με ATEX Ex διατίθενται στα Αγγλικά. Σε περίπτωση που χρειάζεστε οδηγίες σχετικά με Ex στην τοπική γλώσσα παρακαλούμε επικοινωνήστε με το πλησιέστερο γραφείο της Yokogawa ή αντιπροσωπο της.

(H)

Az ATEX Ex műszerek gépkönyveit angol nyelven adjuk ki. Amennyiben helyi nyelven kérjük az Ex eszközök leírásait, kérjük keressék fel a legközelebbi Yokogawa irodát, vagy képviselőt.

(I)

Tutti i manuali operativi di prodotti ATEX contrassegnati con Ex sono disponibili in inglese. Se si desidera ricevere i manuali operativi di prodotti Ex in lingua locale, mettersi in contatto con l'ufficio Yokogawa più vicino o con un rappresentante.

(LV)

Visas ATEX Ex kategorijas izstrādājumu Lietošanas instrukcijas tiek piegādātas angļu valodās. Ja vēlaties saņemt Ex ierīšu dokumentāciju citā valodā, Jums ir jāsazinās ar firmas Jokogava (Yokogawa) tuvāko ofisu vai pārstāvi.

(LT)

Visos gaminiø ATEX Ex kategorijos Eksploatavimo instrukcijos teikiami anglø kalbomis. Norëdami gauti priestaisø Ex dokumentacijà kitomis kalbomis susisiekiu su artimiausiu bendrovës Yokogawa biuru arba atstovu.

(M)

Il-manwali kollha ta' l-istruzzjonijiet għal prodotti marbuta ma' ATEX Ex huma disponibbli bl-Ingliż. Jekk tkun teħtieġ struzzjonijiet marbuta ma' Ex fil-lingwa lokali tiegħek, għandek tikkuntattja lill-eqreb rappreżentant jew uffiċċju ta' Yokogawa.

(NL)

Alle handleidingen voor producten die te maken hebben met ATEX explosiebeveiliging (Ex) zijn verkrijgbaar in het Engels. Neem, indien u aanwijzingen op het gebied van explosiebeveiliging nodig hebt in uw eigen taal, contact op met de dichtstbijzijnde vestiging van Yokogawa of met een vertegenwoordiger.

(P)

Todos os manuais de instruções referentes aos produtos Ex da ATEX estão disponíveis em Inglês. Se necessitar de instruções na sua língua relacionadas com produtos Ex, deverá entrar em contacto com a delegação mais próxima ou com um representante da Yokogawa.

(PL)

Wszystkie instrukcje obsługi dla urządzeń w wykonaniu przeciwwybuchowym Ex, zgodnych z wymaganiami ATEX, dostępne są w języku angielskim. Jeżeli wymagana jest instrukcja obsługi w Państwa lokalnym języku, prosimy o kontakt z najbliższym biurem Yokogawy.

(RO)

Toate manualele de instructiuni pentru produsele ATEX Ex sunt in limba engleza. In cazul in care doriti instructiunile in limba locala, trebuie sa contactati cel mai apropiat birou sau reprezentant Yokogawa.

(S)

Alla instruktionsböcker för ATEX Ex (explosionssäkra) produkter är tillgängliga på engelska. Om Ni behöver instruktioner för dessa explosionssäkra produkter på annat språk, skall Ni kontakta närmaste Yokogawakontor eller representant.

(SF)

Kaikkien ATEX Ex-tyyppisten tuotteiden käyttöohjeet ovat saatavilla englannin-. Mikäli tarvitsette Ex-tyyppisten tuotteiden ohjeita omalla paikallisella kielellänne, ottakaa yhteyttä lähimpään Yokogawa-toimistoon tai -edustajaan.

(SK)

Všetky návody na obsluhu pre prístroje s ATEX Ex sú k dispozícii v jazyku anglickom. V prípade potreby návodu pre Ex-prístroje vo Vašom národnom jazyku, skontaktujte prosím miestnu kanceláriu firmy Yokogawa.

(SLO)

Vsi predpisi in navodila za AEX Ex sorodni pridelki so pri roki v angleščini. Če so Ex sorodna navodila potrebna v vašem tujejnem jeziku, kontaktirajte vaš najbliži Yokogawa office ili predstavnika.

Contents

1. PREFACE	5
1.1 Introduction	5
1.2 Unpacking and Checking	5
1.3 Warranty and Service	6
1.4 Serial number.....	6
2. GENERAL SPECIFICATIONS	7
2.1 Measuring elements	7
2.2 Wetted parts.....	7
2.3 Functional specifications (at 25 °C)	7
2.4 Dynamic specifications	7
2.5 Operating range	7
2.6 Shipping details.....	8
2.7 Environmental conditions	8
2.8 Mechanical specifications.....	8
2.9 Regulatory standards	9
3. INSTALLATION OF FU20	21
3.1 Typical installation	21
3.2 Preparing the sensor for use	21
3.3 Mounting the sensor.....	21
3.4 Mounting FU20 using quick removal adapters	22
3.5 Mounting the FU20 in PR10 retractable.....	23
4. DIMENSIONS	25
5. WIRING	26
6. GENERAL CALIBRATION & MAINTENANCE PROCEDURE	27
6.1 Calibration for pH measurement.....	27
6.2 Calibration for ORP and rH measurement	27
6.3 Maintenance of the FU20 sensor.....	28
7. MODEL CODES	29
8. SPARE PARTS	30
9. CHEMICAL COMPATIBILITY CHART	31

1. PREFACE

1.1 Introduction

This instruction manual provides information for the installation and use of the FU20, four-in-one wide body pH sensors with a digital option for the newest SENCOM platform. The FU20 is the choice for most of the process applications.

The Model **FU20** offers a simple and cost-effective solution for a wide variety of process applications. This all-in-one sensor provides simultaneous measurement of pH, redox (ORP) and temperature if desired. Chemical compatibility in the target application is secured by the choice of body material. The rugged PPS body is designed for easy installation into on-line and immersion applications via the 3/4" NPT threaded connections provided on both ends of the sensor.

In applications where the sensor is exposed to some concentrated acid or in high temperature acid environment, the material of choice will be PVDF. Optional quick-removal adapters in both stainless steel and titanium are available to make calibration and maintenance even easier.

This four-in-one sensor provides simultaneous measurement of pH, redox (ORP) and temperature if desired. The rugged body is designed for easy installation via the 3/4" NPT threaded connections provided on both ends of the sensor.

Additionally, the models type VP and VS can be mounted in all angles including Upside Down.

The FU20 sensor is available in two types:

- With fixed cable, 3, 5, 10 and 20 meters.
- With Vario Pin connector:
(VP- and VS- model)

The VP and VS model can be used with an analogue analyzer in combination with universal WU10- cable or halogen free WE10- cable. Both cables are available in different lengths.

The VS model with integrated ID-chip can be used with SA11-P1 Smart Adapter, which is placed directly on top of this connector, or remotely connected using the 3 meter WE10-H-D-003-V1 cable.

1.2 Unpacking and Checking

Upon delivery, unpack the sensor carefully and inspect it to ensure it was not damaged during shipment. If damage is found, retain the original packing materials and then immediately notify the carrier and the relevant Yokogawa sales office. Make sure the Model Code and Serial Number on the sensor are the same as on the packing list. Also, check any option(s) that were ordered are included and correct.

For some specific sensor information, the size of the sensor label is not big enough. For that reason, a separate label is delivered. This label needs to be connected onto the sensor cable.

1.3 Warranty and Service

Yokogawa products and parts are guaranteed free from defects in workmanship and material under normal use and service for a period of (typically) 12 months from the date of shipment from the manufacturer. Individual sales organizations can deviate from the typical warranty period, and the conditions of sale relating to the original purchase order should be consulted. Damage caused by wear and tear, inadequate maintenance, corrosion, or by the effects of chemical processes are excluded from this warranty coverage. In the event of warranty claim, the defective goods should be sent (freight paid) to the Service Department of the relevant sales Organization for repair or replacement (at Yokogawa's discretion).

The following information must be included in the letter accompanying the returned goods:

- Model Code and Serial Number.
- Original Purchase Order and Date.
- Length of time in service and description of the process.
- Description of the fault and circumstances of the failure.
- Process/environmental conditions that may be related to the failure of the sensor
- Statement as to whether warranty or non-warranty service is requested.
- Complete shipping and billing instructions for return of material, plus the name and phone number of a contact person that can be reached for further information.
- Clean Statement
Returned goods that have been in contact with process fluids must be decontaminated and disinfected prior to shipment. Goods should carry a certificate to this effect, for the health and safety of our employees. Material Safety Data sheets must be included for all components of the process to which the sensor(options) have been exposed.

1.4 Serial number

The Serial number is defined by nine (9) alphanumeric characters:

X ₁ X ₂	Production location
X ₃ X ₄	Year/Month code
X ₅ X ₆ X ₇ X ₈ X ₉	Tracking number

Example: N3P600028

Table 1: Production Year code

Year	Year code	Year	Year code
2014	P	2026	3
2015	R	2027	4
2016	S	2028	5
2017	T	2029	6
2018	U	2030	7
2019	V	2031	8
2020	W	2032	9
2021	X	2033	A
2022	Y	2034	B
2023	Z	2035	C
2024	1	2036	D
2025	2	2037	E

Table 2: Production Month code

Month	Month code
January	1
February	2
March	3
April	4
May	5
June	6
July	7
August	8
September	9
October	A
November	B
December	C

2. GENERAL SPECIFICATIONS

2.1 Measuring elements

: pH glass electrode
 : Silver/Silver chloride reference
 : Solid platinum electrode
 : Pt1000 temperature sensor.

2.2 Wetted parts

Sensor body : PPS GF40 for type NPT, FSM
 : PVDF GF20+TZ4 for type FTD
 Earthing pin : Solid Platinum
 Measuring sensor : G-glass
 LE glass tube : AR-glass
 O-ring : Viton
 Reference junction : Porous PTFE

2.3 Functional specifications (at 25 °C)

Isothermal point : pH 7 / 3.3m KCl
 Reference system : Ag/AgCl with saturated KCl
 Glass impedance
 - Dome shape : 200 MΩ nominal
 - Flat Surface : 750 MΩ nominal
 Junction resistance : < 10 kΩ
 Liquid outlet : non-flow double junction
 Temperature element : Pt1000 to IEC 751
 Asymmetry potential : 8 ± 15 mV
 Slope : ≥ 96 % (of theoretical value)

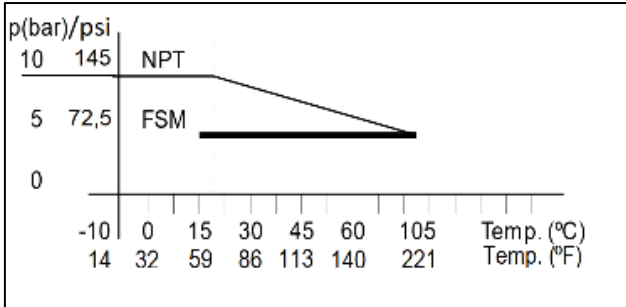
Note: The temperature sensor included in the FU20 is designed for process compensation and for indication. It is **NOT** designed for process temperature control.

2.4 Dynamic specifications

Response time pH : $t_{90} < 15$ sec. (for 7 to 4 pH step)
 Response time temperature
 - Dome shape : $t_{90} < 1$ min. (for 10 °C step)
 - Flat surface : $t_{90} < 4$ min. (for 10 °C step)
 Stabilization time pH : < 2 min. (for 0.02 pH deviation during 10 sec.)

2.5 Operating range

pH : 0 to 14
 ORP : -1500 to +1500 mV
 rH : 0 to 100
 Temperature
 - Dome shape : -10 to +105 °C (14 to 221 °F)
 - Flat Surface : +15 to +105 °C (59 to 221 °F)
 Pressure : Barg See Graph 1
 : Barg 0 to 0.985 (0 to 14.36 psi) (under pressure)
 Conductivity : > 50 μS/cm



Graph 1: Pressure & Temperature range FU20

Note: The pH operating range at room temperature is 0-14 pH, but at high temperature or range outside 2-12 pH the lifetime will be seriously shortened.

Note: The upper process temperature for the intrinsically safe version is limited by the ambient temperature ($T_{amb.}$) defined for each temperature class (T3, T4, T5 and T6)

2.6 Shipping details

	FU20-03/05/10	FU20-20	FU20-VP/VS
Package size (LxWxH)	410 x 130 x 75 mm 16.1 x 5.1 x 3.0 inch	360 x 220 x 105 mm 14.2 x 8.7 x 4.1 inch	300 x 100 x 75 mm 11.8 x 3.9 x 3.0 inch
Package weight (max.)	0.92 kg (2.02 lbs)	1.62 kg (3.57 lbs)	0.33 kg (0.73 lbs)

2.7 Environmental conditions

Storage temperature	: -10 to +50 °C (14 to 122 °F)
Ingress Protection	: IP67 (conform IEC 60529)

2.8 Mechanical specifications

Max. torque on sensor body	: - NPT, FSM	12 Nm
	: - FTD	8 Nm

2.9 Regulatory standards

Equipment ratings:

Item	Description	Values
Electrical parameters	Max. input voltage Max. input current Max. input power Max. internal capacitance Max. internal inductance	$U_i = 18 \text{ VDC}$ $I_i = 170 \text{ mA}$ $P_i = 400 \text{ mW}$ $C_i = 0.0 \text{ nF}$ for connector types without ID-chip $= 0.4 \text{ nF}$ for connector types with ID-chip $= 150 \text{ nF}$ for permanent cable types $L_i = 0.0 \text{ mH}$ for connector types $L_i = 0.1 \text{ mH}$ for permanent cable types
Temperature class	T6 T5 T4 T3	$-40^\circ\text{C} \leq T_a \leq +40^\circ\text{C}$ $-40^\circ\text{C} \leq T_a \leq +55^\circ\text{C}$ $-40^\circ\text{C} \leq T_a \leq +55^\circ\text{C}$ $-40^\circ\text{C} \leq T_a \leq +105^\circ\text{C}$
Specific conditions of use	Potential electrostatic charging hazard: pH sensors containing accessible plastic parts and/or external conductive parts must be installed and used in such a way, that dangers of ignition due to hazardous electrostatic charges cannot occur, especially in the case that the process medium is non-conductive. Use a damp cloth for cleaning the equipment.	



Note 1: Models without ID-chip (with fixed cable or VP type):
 I/O signals are from/to an associated intrinsically safe certified pH/ORP transmitter (e.g. Yokogawa transmitter Model FLX21/FLX202 series or Yokogawa transmitter Model PH202S series).

Models with ID-chip (VS type):
 I/O signals are from/to an associated intrinsically safe certified pH/ORP transmitter, Yokogawa Smart Adapter Model SA11-P1.



When the sensor has been connected to non-intrinsically safe equipment which exceeds the restrictions regarding the sensor input circuits, the sensor is not suitable anymore for intrinsically safe use.

Regulatory compliances:

Item	Description, Approval, Certification
LVD	<ul style="list-style-type: none"> ▪ ANSI/ISA 61010-1 ▪ CAN/CSA C22.2 No. 61010-1
RoHS	<p>EU Directive 2011/65/EU and Commission Delegated Directive (EU) 2015/863 amending Annex II, applying Annex IV as regards the application of the sensors, detectors and electrodes per</p> <ul style="list-style-type: none"> ▪ EN-IEC 63000
PED ¹	EU Directive 2011/68/EU applying Article 4.3: Sound Engineering Practice.
WEEE	<p>EU directive 2012/19/EU</p> <p>This sensor is intended to be sold and used only as a part of equipment which is excluded from the WEEE directive, such as large-scale stationary industrial tools, a large-scale fixed installation etc., and therefore it is in principle fully compliant with WEEE directive.</p> <p>The sensor should be disposed in accordance with applicable national legislations/regulations respectively.</p>
ATEX (EU)	<p>EU Directive 2014/34/EU</p> <p>ATEX approval: DEKRA 11ATEX0014 X</p> <p>  II 1 G Ex ia IIC T3...T6 Ga</p> <p>Applied standards:</p> <ul style="list-style-type: none"> ▪ EN IEC 60079-0 ▪ EN 60079-11
IECEx	<p>IECEx approval: IECEx DEK 11.0064X</p> <p>Ex ia IIC T3...T6 Ga</p> <p>Applied standards:</p> <ul style="list-style-type: none"> ▪ IEC 60079-0 ▪ IEC 60079-11
FM (Canada)	<p>FM approval Canada: FM20CA0062X</p> <p>IS SI CL I, DIV 1, GP ABCD, T3...T6</p> <p>CL I, ZN 0, Ex ia IIC, T3...T6 Ga</p> <p>Control Drawing: D&E 2020-023-A51</p> <p>Applied standards:</p> <ul style="list-style-type: none"> ▪ CAN/CSA-C22.2 No. 60079-0 ▪ CAN/CSA-C22.2 No. 60079-11 ▪ CAN/CSA-C22.2 No. 61010-1



¹ Damaging the screw thread of the sensor might influence the maximum process pressure

Item	Description, Approval, Certification
FM (United States)	FM approval United States: FM20US0123X IS CL I, DIV 1, GP ABCD, T3...T6 CL I, ZN 0, AEx ia IIC, T3...T6 Ga Control Drawing: D&E 2020-023-A50 Applied standards: <ul style="list-style-type: none"> ▪ FM Class 3600 ▪ FM Class 3610 ▪ ANSI/ISA 60079-0 ▪ ANSI/ISA 60079-11 ANSI/ISA 61010-1
NEPSI (China)	NEPSI approval: GYJ21.2891X Ex ia IIC T3...T6 Ga Applied standards: <ul style="list-style-type: none"> ▪ GB 3836.1 ▪ GB 3836.4 ▪ GB 3836.20
PESO (India)	PESO approval: PESO approval is based on ATEX approval DEKRA 11ATEX0014 X, iss. 2 – 29.11.2019 Equipment reference numbers: P512760/1 Applied standards: <ul style="list-style-type: none"> ▪ EN IEC 60079-0 ▪ EN 60079-11
TS (Taiwan)	TS approval: TS Safety Label is based on IECEx approval IECEx DEK 11.0064X Identification Number: TD04000C Applied standards: <ul style="list-style-type: none"> ▪ IEC 60079-0 ▪ IEC 60079-11
KCs (Korea)	Korea Ex certificates: Korea Ex certificate is based on IECEx approval IECEx DEK 11.0064X, iss. 1 and applicable for the following models: FU20-VP-CG: 21-KA4BO-0416X FU20-VS-CG: 21-KA4BO-0417X FU20-**-CG: 21-KA4BO-0418X Applied standards: <ul style="list-style-type: none"> ▪ IEC 60079-0 ▪ IEC 60079-11 ▪ KS C IEC 60079-14
EAC Ex (Russia)	EAC Ex certificate: RU C-NL.AA87.B.00754 0Ex ia IIC T6...T3 Ga X Applied standards: <ul style="list-style-type: none"> ▪ GOST 31610.0 (IEC 60079-0) ▪ GOST 31610.11 (IEC 60079-11) ▪ GOST IEC 60079-14

Label information:

All statutory required label information is written on metallized product label. This includes MS-code, serial number and process operating specifications – see example in figure 1.

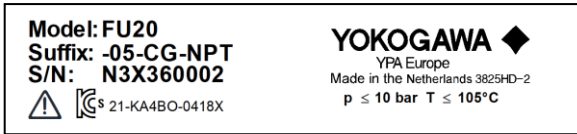


Figure 1: Sensor MS code label

For other region-specific information, the product label is not big enough to show all details. Therefore, for this information an additional label is provided. This label needs to be attached to the sensor cable. Label content of additional label see example in figure 2.

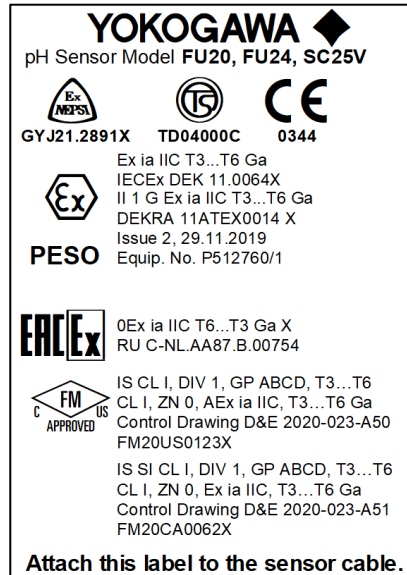
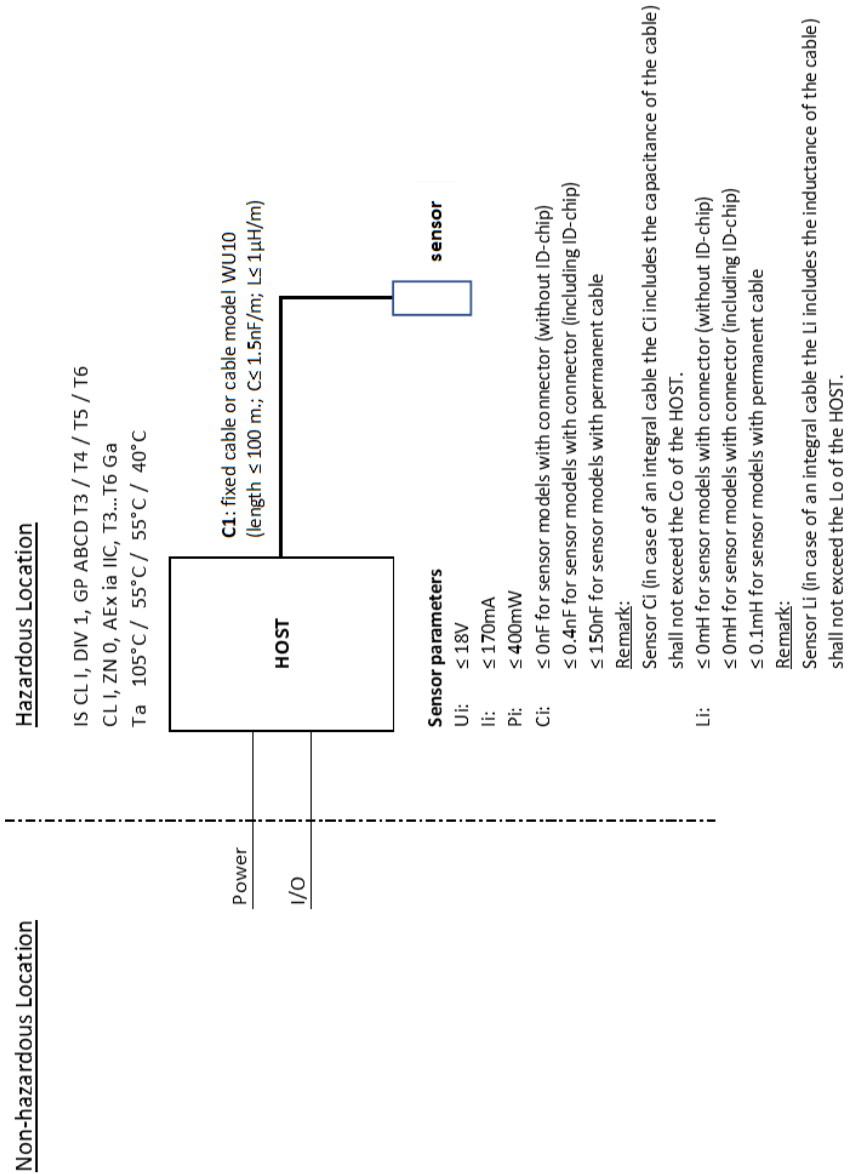


Figure 2: Additional info label

Control drawings:

Control drawing: D&E 2020-023-A50 (part 1)



Remarks:

- 1 No revision to this drawing without prior approval of FM.
- 2 Installation must be in accordance with the National Electrical Code (ANSI/NFPA 70), ANSI/ISA-RP12.06.01, and relevant local codes.
- 3 The sensor shall be installed to a certified intrinsically safe HOST with the following maximum values: $U_o = 18\text{ V}$, $I_o = 170\text{ mA}$, $P_o = 400\text{ mW}$.
- 4 The sensor does not provide isolation from earth. Installers shall take necessary measures to prevent the possibility of sparking resulting from differing earth potentials between the sensors and interconnecting equipment. This can be realized for example by selecting interconnecting equipment which provides input-to-output and input-to-earth isolation up to 500 V rms.
- 5 Sensor Model code:

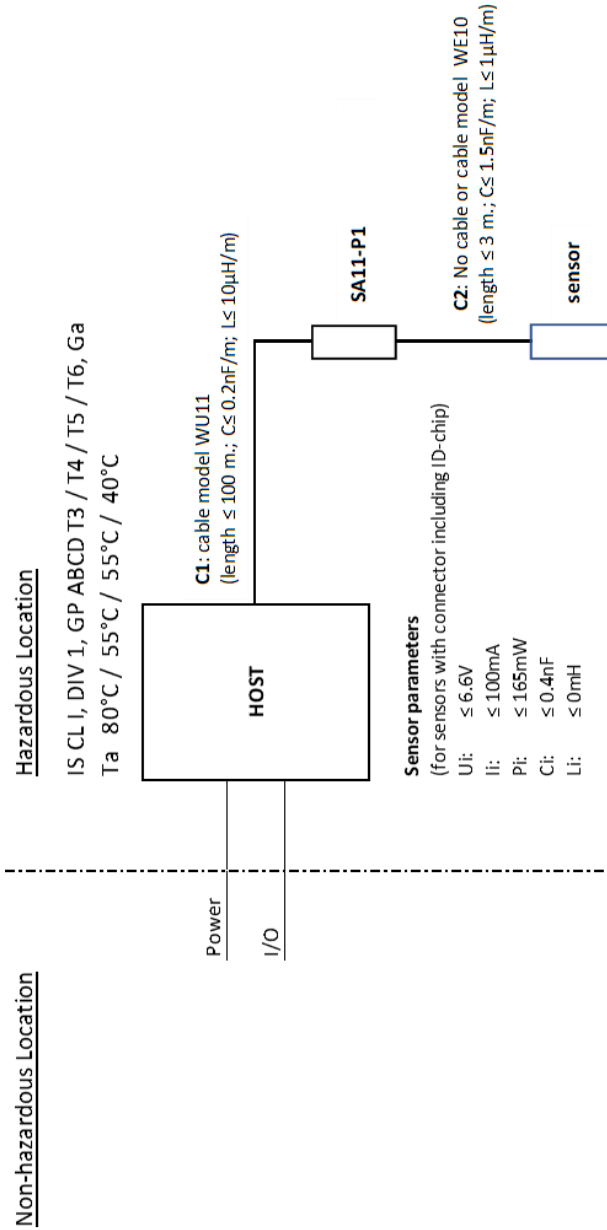
Table 3:

Model	Suffix Codes	Option Codes
FU20	-ab-cd-efg	/h

ab	Connection type:	Two alphanumeric characters identifying the length of the permanent cable, each character from 0 to 9
		VP Connector without ID-chip
		VS Connector with ID-chip
cd	Temperature sensor + Region:	T1 Pt1000, IS for ATEX/IECEx, FM-US, FM-CAN
efg	Type:	NPT PPS body/Tapered Thread/ Dome shaped
		FSM PPS body/Tapered Thread/Flat Surface
		FTD PVDF body/Tapered Thread Dome shaped
h	Option code:	Up to ten alphanumeric characters (A to Z, 0 to 9 or hyphen)

- 6 **WARNING—POTENTIAL ELECTROSTATIC CHARGING HAZARD – SEE INSTRUCTIONS**
pH sensors containing accessible plastic parts and/or external conductive parts, must be installed and used in such a way, that dangers of ignition due to hazardous electrostatic charges cannot occur, especially in the case that the process medium is non-conductive.

Control drawing: D&E 2020-023-A50 (part 2)



Remarks:

- 1 No revision to this drawing without prior approval of FM.
- 2 Installation must be in accordance with the National Electrical Code (ANSI/NFPA 70), ANSI/ISA-RP12.06.01, and relevant local codes.
- 3 The sensor shall be installed to a certified intrinsically safe Smart Adapter, model SA11-P1 with the following maximum values: $U_0 = 6.6 \text{ V}$, $I_0 = 100 \text{ mA}$, $P_0 = 165 \text{ mW}$.
- 4 The installers shall take necessary measures to prevent the possibility of sparking resulting from differing earth potentials between the sensors and interconnecting equipment. The sensor itself does not provide 500 V rms isolation from earth, the interconnecting equipment Model SA11-P1 Smart Adapter however provide this required isolation.
- 5 Sensor Model code:

Table 4:

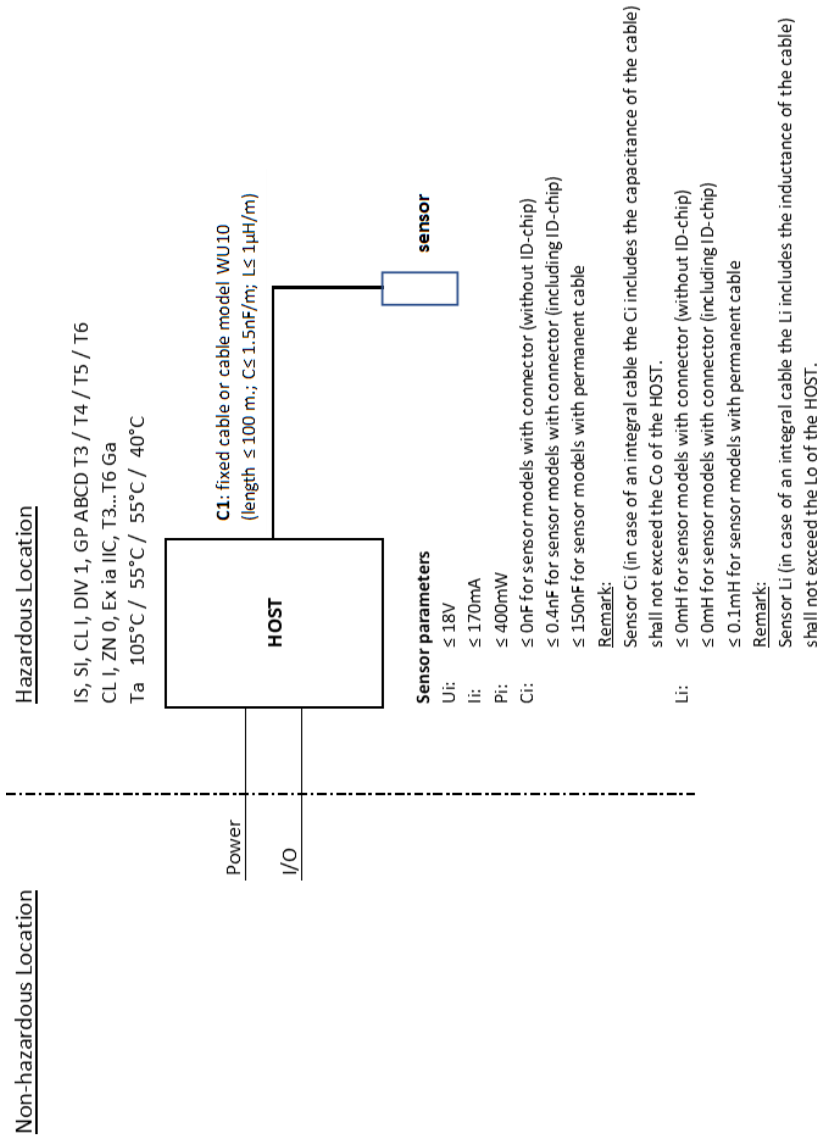
Model	Suffix Codes	Option Codes
FU20	-ab-cd-efg	/h

ab	Connection type:	VS	Connector with ID-chip
cd	Temperature sensor + Region:	T1	Pt1000, IS for ATEX/IECEX, FM-US, FM-CAN
efg	Type:	NPT	PPS body/Tapered Thread/ Dome shaped
		FSM	PPS body/Tapered Thread/Flat Surface
		FTD	PVDF body/Tapered Thread Dome shaped
h	Option code:	Up to ten alphanumeric characters (A to Z, 0 to 9 or hyphen)	

6 WARNING—POTENTIAL ELECTROSTATIC CHARGING HAZARD – SEE INSTRUCTIONS

pH sensors containing accessible plastic parts and/or external conductive parts, must be installed and used in such a way, that dangers of ignition due to hazardous electrostatic charges cannot occur, especially in the case that the process medium is non-conductive.

Control drawing: D&E 2020-023-A51 (part 1)



Remarks:

- 1 No revision to this drawing without prior approval of FM.
- 2 Installation must be in accordance with the Canadian Electrical Code (CEC) CSA22.1, and relevant local codes.
- 3 The sensor shall be installed to a certified intrinsically safe HOST with the following maximum values: Uo= 18 V, Io = 170 mA, Po = 400 mW.
- 4 The sensor does not provide isolation from earth. Installers shall take necessary measures to prevent the possibility of sparking resulting from differing earth potentials between the sensors and interconnecting equipment. This can be realized for example by selecting interconnecting equipment which provides input-to-output and input-to-earth isolation up to 500 V rms.
- 5 Sensor Model code:

Table 5:

Model	Suffix Codes	Option Codes
FU20	-ab-cd-efg	/h

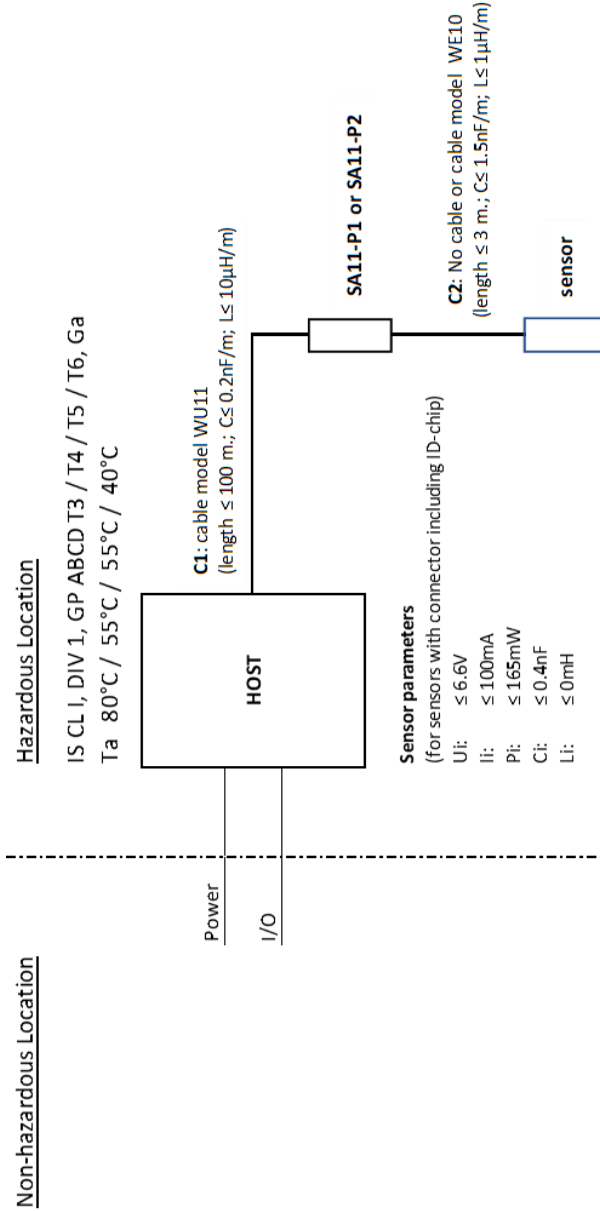
ab	Connection type:	Two alphanumeric characters identifying the length of the permanent cable, each character from 0 to 9
		VP Connector without ID-chip
		VS Connector with ID-chip
cd	Temperature sensor + Region:	T1 Pt1000, IS for ATEX/IECEX, FM-US, FM-CAN
efg	Type:	NPT PPS body/Tapered Thread/Dome shaped
		FSM PPS body/Tapered Thread/Flat Surface
		FTD PVDF body/Tapered Thread Dome shaped
h	Option code:	Up to ten alphanumeric characters (A to Z, 0 to 9 or hyphen)

- 6 **WARNING—POTENTIAL ELECTROSTATIC CHARGING HAZARD – SEE INSTRUCTIONS**
pH sensors containing accessible plastic parts and/or external conductive parts, must be installed and used in such a way, that dangers of ignition due to hazardous electrostatic charges cannot occur, especially in the case that the process medium is non-conductive.

AVERTISSEMENT – DANGER POTENTIEL DE CHARGES ÉLECTROSTATIQUES – VOIR LES INSTRUCTIONS

Les sondes de pH contenant des pièces en plastique accessibles et / ou des pièces conductrices externes doivent être installées et utilisées de manière à éviter tout risque d'inflammation dû à des charges électrostatiques dangereuses, en particulier dans le cas où le fluide de procédé n'est pas conducteur.

Control drawing: D&E 2020-023-A51 (part 2)



Remarks:

1. No revision to this drawing without prior approval of FM.
2. Installation must be in accordance with the Canadian Electrical Code (CEC) CSA22.1, and relevant local codes.
3. The sensor shall be installed to a certified intrinsically safe Smart Adapter, model SA11-P1 with the following maximum values: $U_o = 6.6\text{ V}$, $I_o = 100\text{ mA}$, $P_o = 165\text{ mW}$.
4. The installers shall take necessary measures to prevent the possibility of sparking resulting from differing earth potentials between the sensors and interconnecting equipment. The sensor itself does not provide 500 V rms isolation from earth, the interconnecting equipment Model SA11-P1 Smart Adapter however provide this required isolation.
5. Sensor Model code:

Table 6:

Model	Suffix Codes	Option Codes
FU20	-ab-cd-efg	/h

ab	Connection type:	Two alphanumeric characters identifying the length of the permanent cable, each character from 0 to 9 VS Connector with ID-chip
cd	Temperature sensor + Region:	T1 Pt1000, IS for ATEX/IECEx, FM-US, FM-CAN
efg	Type:	NPT PPS body/Tapered Thread/ Dome shaped FSM PPS body/Tapered Thread/Flat Surface FTD PVDF body/Tapered Thread Dome shaped
h	Option code:	Up to ten alphanumeric characters (A to Z, 0 to 9 or hyphen)

WARNING – POTENTIAL ELECTROSTATIC CHARGING HAZARD – SEE INSTRUCTIONS

pH sensors containing accessible plastic parts and/or external conductive parts, must be installed and used in such a way, that dangers of ignition due to hazardous electrostatic charges cannot occur, especially in the case that the process medium is non-conductive.

DANGER POTENTIEL DE CHARGES ÉLECTROSTATIQUES – VOIR LES INSTRUCTIONS

Les sondes de pH contenant des pièces en plastique accessibles et / ou des pièces conductrices externes doivent être installées et utilisées de manière à éviter tout risque d'inflammation dû à des charges électrostatiques dangereuses, en particulier dans le cas où le fluide de procédé n'est pas conducteur.

3. INSTALLATION OF FU20

For optimum measurement results, the FU20 should be installed in a location that offers an acceptable representation of the process composition and **DOES NOT** exceed the specifications of the sensor. The FU20 is designed with 3/4" NPT threaded connections on both ends of the sensor to allow installation in a wide variety of applications.

3.1 Typical installation

The FU20 sensor is designed for versatile in-line, immersion or off-line installation. For best results the FU20 should be mounted with the process flow coming towards the sensor.

For the Fixed cable versions requires installation of the sensor positioned at least 15° above the horizontal plane to eliminate air bubbles in the pH glass bulb (see Figure 3).

The models type VP and VS can be mounted in all angles with respect to the horizontal plane including Upside Down.

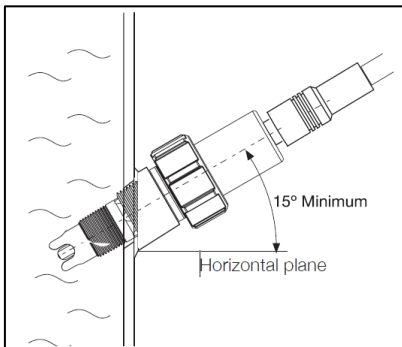


Figure 3: Sensor installation

3.2 Preparing the sensor for use

Remove the sensor from its shipping box and slide of the so-called 'wet pocket', the tube filled with solution to prevent drying out of the measuring elements during shipment or storage. Although on the Quality Inspection Certificate (QIC) all factory calibration data is stored, it is recommended to calibrate the sensor before first use. A general calibration procedure is described in Section 6 of this Instruction Manual.

3.3 Mounting the sensor

The simplest mounting is to use one of the 3/4" NPT threaded connection of the sensor. Apply Teflon tape to the appropriate threaded end, then install the sensor in the process. Tighten the sensor using a wrench on the sensor flats. (see Figure 4).

Note: Do not overtighten the sensor body. Max. torque applicable in paragraph 2.8

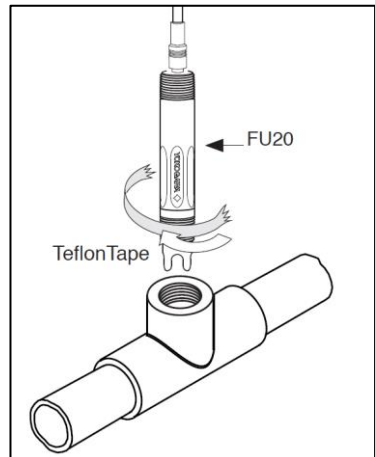


Figure 4: Simple mounting of sensor

3.4 Mounting FU20 using quick removal adapters

The FU20 can also be mounted using one of the optional quick-removal adapters (/NSS, /NTI, /BSS, /BTI, see Figure 5). For a detailed description of these adapters see Sections 4 and 7 of this Instruction Manual.

1. Apply Teflon tape to the threaded end of this adapter;
2. Install the adapter in the process connection. Tighten the adapter using a wrench on the adapter flats.
3. Apply Teflon tape to the appropriate threaded end of the sensor;
4. Place the O-ring and screw the mating part of the adapter on the sensor;
5. Mount the sensor in the adapter, making sure that the O-ring seals properly;
6. Hand-tighten the adapter nut.

Other mounting examples of the FU20 are given in Figure 6 and 7.

Note: DO NOT over tighten the adapter to prevent damage.

The maximum Applicable torque see chapter 2.8.

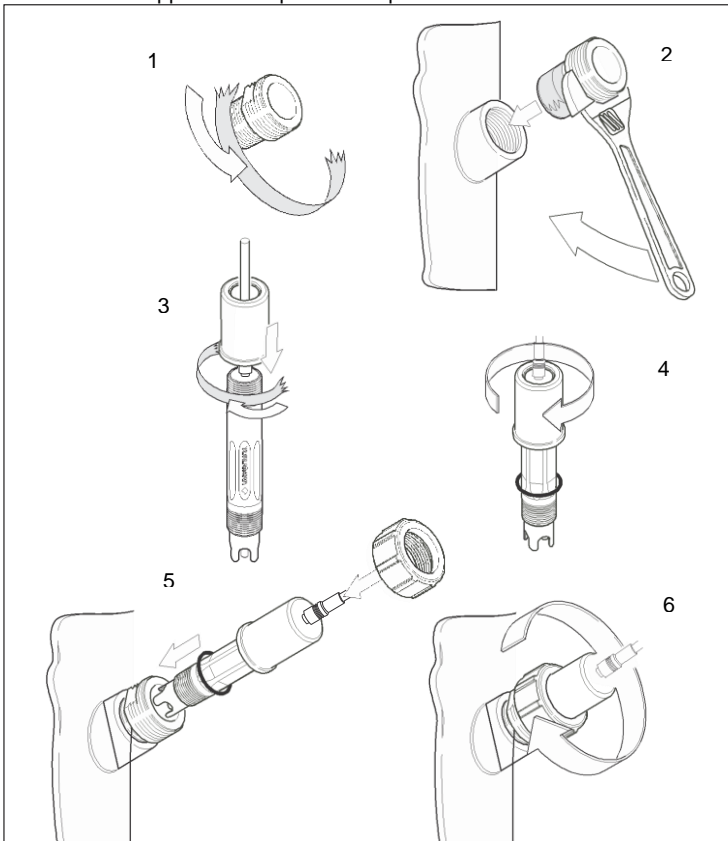


Figure 5: Mounting of sensor with option /NSS, /NTI, /BSS or /BTI

3.5 Mounting the FU20 in PR10 retractable

1. 1 Take the sensor out of the box and apply Teflon tape to the appropriate threaded end.
2. Bind the separate wires of the cable together with a piece of tape.
3. Take the fitting out of the box and remove the option(s), if necessary.
4. Release the pigtail (cable gland) completely. Do not undo the part in the metal tube!
5. Lead the sensor cable through the tube of the fitting, from the side where the knurled knob has been removed. Attach the sensor and cable as usual.
6. Hold the sensor still and turn the metal tube onto the sensor. Don't rotate the cell, but rotate the tube of the fitting, because the cable can be disconnected from the cell, when rotating it.
7. Lead the loose part of the pigtail onto the cable and screw it onto the fixed part.
8. Remove the tape.

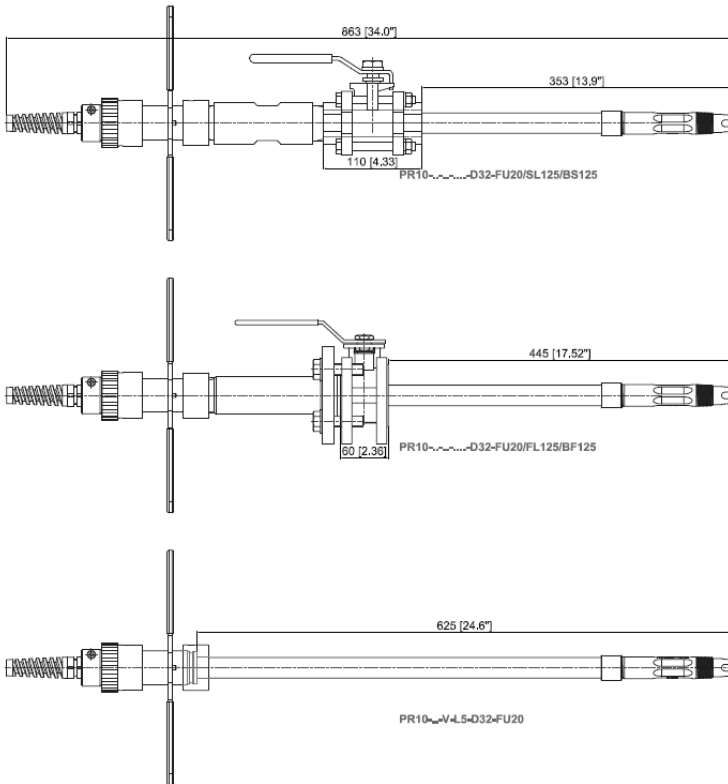


FIG. 6: Dimensional drawing PR10...-D32 with mounted FU20 sensor units mm (inches)

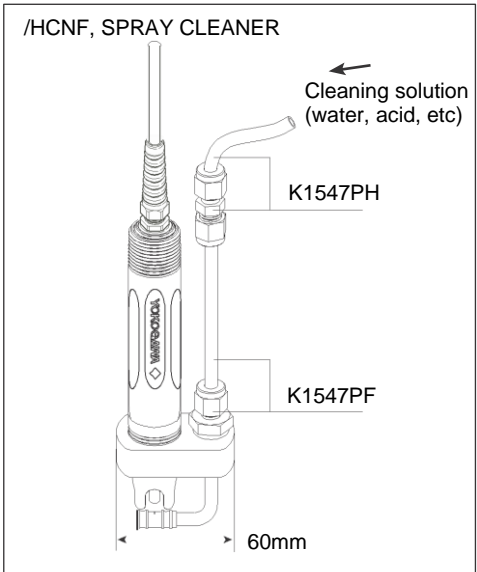
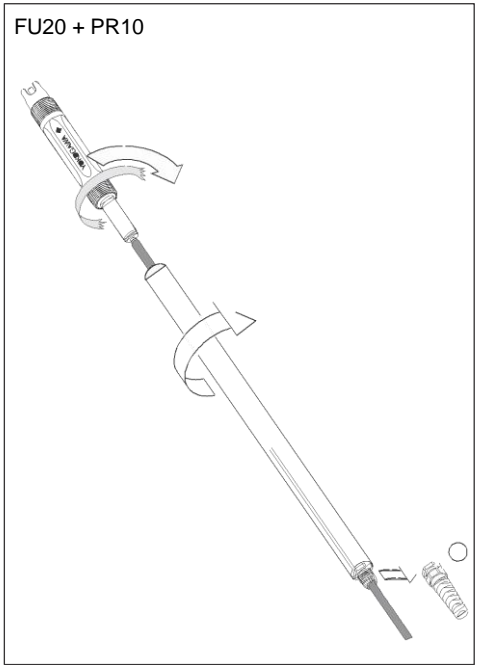
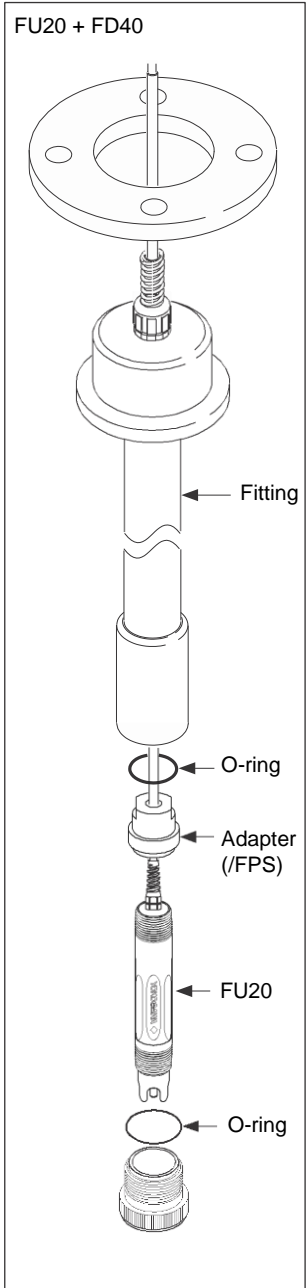


Figure 7: Installation examples for the FU20

4. DIMENSIONS

Dimensions in mm (inches)

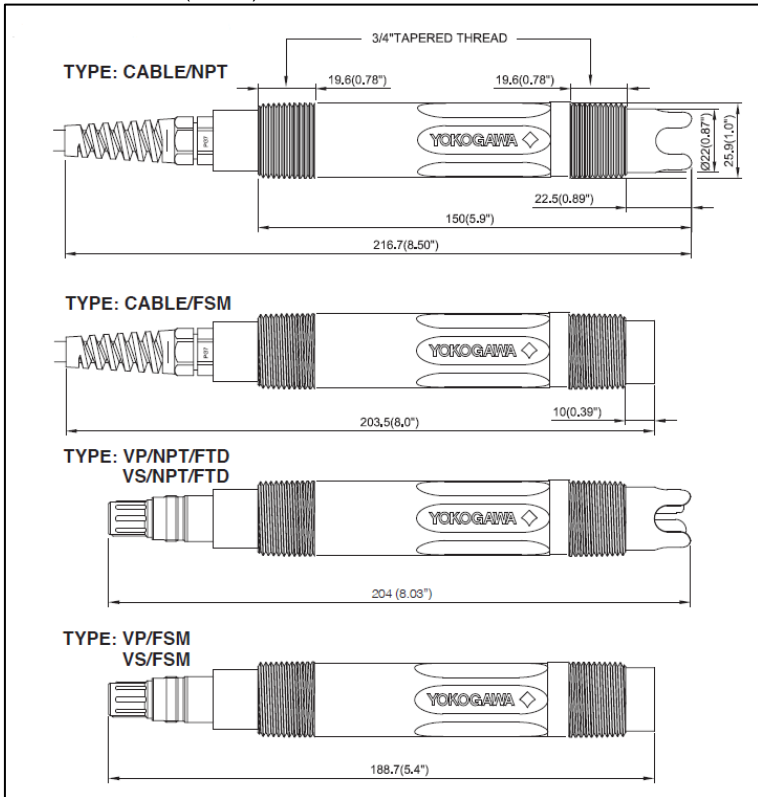


Figure 8: Dimensions FU20

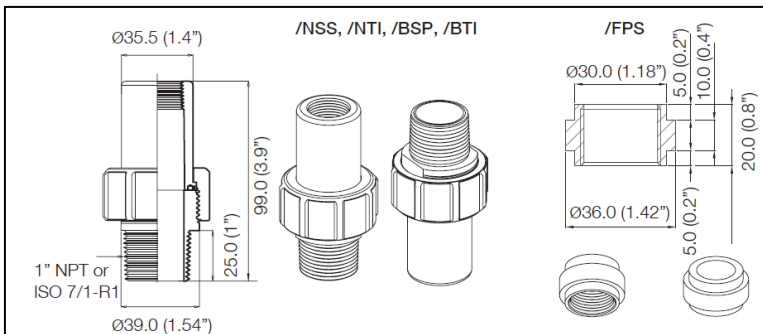


Figure 9: Dimensions 1" FU20 adapter Stainless Steel & Titanium and FU20 adapter for FF40, FS40 and FD40 fittings

5. WIRING

The FU20 sensor is provided with a fixed cable, a 6 pin or 8 pin Vario Pin connector (type VP without ID-chip and type VS with ID-chip).

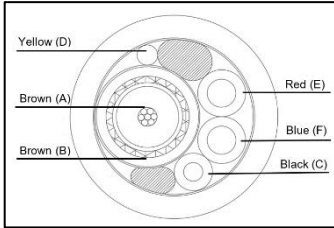


Figure 10: Connection diagram fixed cable

Table 7:

Item	Wire Pin no.	Wire color	Description
A	15	Brown Core	pH
B	16	Brown Shield	pH Guard
C	13	Black	Reference
D	14	Yellow	LE/ORP
E	11	Red	Pt1000
F	12	Blue	Pt1000

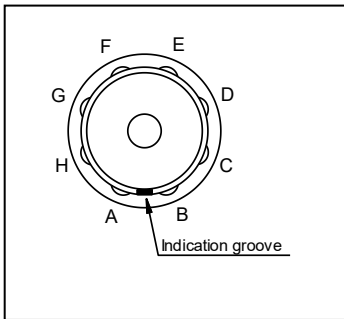


Figure 11: Connection diagram connector type

Table 8:

Pin no.	Description VP type	Description VS type
A	pH	pH
B	Reference	Reference
C	pH Guard	pH Guard
D	LE/ORP	LE/ORP
E	Pt1000	Pt1000
F	Pt1000	Pt1000/ID-chip GND
G	Not available	ID-chip VCC
H	Not available	ID-chip DATA

Note: Preferred connection cable is Yokogawa Model WU10-V-D or Model WE10

6. GENERAL CALIBRATION & MAINTENANCE PROCEDURE

6.1 Calibration for pH measurement

To calibrate the FU20 pH/ORP sensor, two buffer solutions with known pH values are required. It is recommended that one buffer solution has a value near to pH 7.00. Depending on the process value to be measured, the second buffer solution should be either acidic (below pH 7.00) or alkaline (above pH 7.00). Normally the IEC buffers (pH 4.01, 6.87 and 9.18) are used.

The following is a very general 2-point calibration procedure:

1. Clean the sensor using a 5% solution of HCl;
2. Rinse sensor thoroughly with demineralized water;
3. Immerse the sensor in the first buffer (pH 6.87 is recommended) and
4. execute calibration as described in the Instruction Manual of the analyzer.
5. Rinse sensor thoroughly with demineralized water;
6. Immerse the sensor in the second buffer (pH 4.01 or 9.18 is recommended)
7. and execute calibration as described in the Instruction Manual of the analyzer.
8. Rinse sensor thoroughly with demineralized water.

During calibration, the temperature compensation should be active. The EXA/FLXA analyzer automatically compensates for the sensitivity change of the pH sensor at different temperatures.

After calibration, replace or re-install the sensor into the process.

6.2 Calibration for ORP and rH measurement

For calibration of ORP and rH, the procedure for MANUAL CALIBRATION can be used as described in the Instruction Manual of the analyzer.

The rH value is a function of the reference system and the pH value of the buffer solution. The FU20 sensor has a reference system of saturated Silver/Silver Chloride (Ag/AgCl). The commonly used standards for ORP and rH calibration are made from Chinhydrone (Quinhydrone) powder dissolved in pH buffer solutions (1 g / 200 ml). In Table 3 the measurement values are given as function of the used pH buffer solution with Chinhydrone powder. The accuracy of the standards is approximately ± 10 mV.

Table 9: ORP, pH compensated ORP and rH as function of pH buffer solution with Chinhydrone powder.

pH buffer	ORP (mV)	pH compensated	rH
1.68	403	88	23.6
4.01	265	88	23.6
6.87	96	88	23.6
7.00	88	88	23.6

6.3 Maintenance of the FU20 sensor

A pH sensor requires routine maintenance to keep the measuring elements clean and functioning. Depending on the process, different cleaning solutions may be required.



Avoid cleaning the complete sensor with solution. Some cleaning solutions will damage the model code sticker and connector which are placed on top of the sensor. Only clean the measuring elements at the bottom side of the sensor.

In most cases cleaning with water, iso-propanol or methanol is sufficient. In other cases, the measuring elements of the sensor have to be cleaned with specific solutions.

Examples:

1. Deposits of limes, hydroxides or carbonates can be removed by immersing the bottom part of the sensor in a solution containing dilute hydrochloric acid (5% is recommended). Afterwards rinse the sensor with water.
2. Deposits of oil and fat can be removed with hot water with a detergent. When the results are unsatisfactory, a mild (carbonate based) abrasive can be used.
3. Protein deposits should be removed with a protein enzymatic solution, for instance a solution containing 8.5 mL concentrated hydrochloric acid and 10 grams of pepsin in 1 liter of water.

Note: Avoid cleaning with non-polar solvent like tri-chloro ethylene, toluene or hexane. The non-polar solvents will break up the gel-layer on the pH glass bulb and requires that the sensor has to be soaked in water for at least 12 hours before it will function again.

The Teflon diaphragm of the sensor can be regenerated by putting it in hot ($\pm 70\text{ }^{\circ}\text{C}$, $158\text{ }^{\circ}\text{F}$) 3 molar Potassium Chloride (KCl) solution and letting it cool down to room temperature. This procedure clears the diaphragm and will soak the diaphragm with conductive KCl again.

7. MODEL CODES

Table 10:

Model	Suffix Code	Option code	Description
FU20			Wide Body sensor
Cable length	-03 -05 -10 -20 -VP -VS		3 m cable 5 m cable 10 m cable 20 m cable No Cable; VarioPin connector →not available for MTS No Cable; VarioPin conn. with ID-chip } not available for FTD, FTS & MTS
Temperature Sensor	-CG -T1 -T2*		Pt1000, IS for KCs Pt1000, IS for ATEX/IECEX/FM-US/FM-CAN/NEPSI/PESO/TS/EACEx Pt100 → not available for -FTD, -FTS, -MTS and -VS
Model	-NPT -FSM -FTD -FTS -MTS		PPS body / Tapered Thread / Dome shaped PPS body / Tapered Thread / Flat Surface PVDF body / Tapered Thread / Dome shaped PVDF body / Tapered Thread / Salt Sensitive membrane / Silicone and FKM (Viton) sealing PVDF body / Tapered Thread / Salt Sensitive membrane / FFKM and EPDM sealing
Options		/HCNF /FPS /NSS /NTI /BSS /BTI	Complete Hastelloy cleaning system Adapter F*40 from PPO 1" NPT, SS316 1" NPT, Titanium 1" BSP, SS316 1" BSP, Titanium

For suffix –FTS -MTS : further specifications can be found in GS12B06J03- 05...-

Note: T2 is not intrinsically safe certified

8. SPARE PARTS

Table 11:

Spare part		Description
K1523DD	FU20	/FPS Adapter for FF40, FS40 and FD40 fittings (PPO)
K1547PK		/NSS 1" NPT, Stainless Steel adapter (Viton O-ring)
K1547PL		/BSS ISO 7/1-R1, Stainless Steel adapter (Viton O-ring)
K1547PM		/NTI 1" NPT, Titanium adapter (Viton O-ring)
K1547PN		/BTI ISO 7/1-R1, Titanium adapter (Viton O-ring)
K1500FR		Viton O-rings 29.82*2.62 (5 pcs) for 1" adapter
K1500FS		EPDM O-rings 29.82*2.62 (5 pcs) for 1" adapter
K1500FT		Silicone O-rings 29.82*2.62 (5 pcs) for 1" adapter
K1547PJ		Cleaning system for FU20
K1547PG	Hastelloy nozzle and mounting set (HCNF)	
K1547PH	Nylon tube (10 metre) and tube mounting set for chemical cleaning system	
K1520BA	Buffer solutions	Buffer Solution pH4.01+6.87+9.18(3x0.5L)
K1520BB		Buffer Solution pH 1.68 (3x 0.5L)
K1520BC		Buffer Solution pH 4.01 (3x 0.5L)
K1520BD		Buffer Solution pH 6.87 (3x 0.5L)
K1520BE		Buffer Solution pH 9.18 (3x 0.5L)
WU10-V-D-XX	Connection cables for Suffix -03, -05,-10, -20, -VP	Variopin cable (XX = 02, 05, 10, 15 and 20m)
WU10-V-S-XX		Variopin cable (XX = 02, 05, 10, 15 and 20m)
WE10-H-D-XX		Extension cable for SENCOM SMART ADAPTER SA11
BA11	Connection equipment for Suffix -VS	Active Junction box
SA11-P1		SENCOM SMART adapter
WU11		Interconnection cable
IB100		Interface box

9. CHEMICAL COMPATIBILITY CHART

Table12:

		Material																
		Viton			PTFE (teflon)			PVDF (Kynar)			PPS (Ryton)			Glass				
		Conc. %	Temp. °C		Conc. %	Temp. °C		Conc. %	Temp. °C		Conc. %	Temp. °C		Conc. %	Temp. °C			
Inorganic acid	Sulfuric acid	10	o	o	o	o	o	o	o	o	o	o	o	o	o	o	o	o
		50	o	o	o	o	o	o	o	o	o	x	x	x	o	o	o	o
		95	o	o	o	o	o	o	o	x	-	-	-	-	o	o	o	o
		fuming	o	o	o	o	o	o	-	-	-	-	-	-	o	o	o	o
	Hydrochloric acid	10	o	o	o	o	o	o	o	o	o	o	o	o	o	o	o	o
		sat.	o	o	o	o	o	o	o	o	o	o	o	o	o	o	o	o
	Nitric acid	25	o	o	x	o	o	o	o	o	x	o	o	o	o	o	o	o
		50	-	-	-	o	o	o	o	o	x	x	x	x	o	o	o	o
		95	-	-	-	o	o	o	o	x	-	-	-	-	o	o	o	o
		fuming	-	-	-	o	o	o	-	-	-	-	-	-	o	o	o	o
	Phosphoric acid	25	o	o	o	o	o	o	o	o	o	o	o	o	o	o	o	o
		50	o	o	o	o	o	o	o	o	o	o	o	o	o	o	o	o
95		x	x	-	o	o	o	o	o	o	o	o	o	o	o	o	o	
Hydrofluoric acid	40	o	o	o	o	o	o	o	o	o	x	x	x	x	x	x	x	
	75	o	o	x	o	o	o	o	o	o	-	-	-	-	-	-	-	
Organic acid	Acetic acid	10	-	-	-	o	o	o	o	o	o	o	o	o	o	o	o	o
		glacial	-	-	-	o	o	o	x	-	o	-	-	-	o	o	o	o
	Formic acid	80	-	-	-	o	o	o	o	o	o	o	o	o	o	o	o	o
Alkali	Citric acid	50	o	o	o	o	o	o	o	o	o	o	o	o	o	o	o	o
		sat.	o	o	o	o	o	o	o	o	o	o	o	o	o	o	o	o
	Calcium hydroxide	sat.	o	o	o	o	o	o	o	o	o	o	o	o	o	o	o	o
	Potassium hydroxide	50	o	o	o	o	o	o	o	x	o	o	o	o	o	o	x	o
Acid salt	Sodium hydroxide	40	x	x	x	o	o	o	o	x	o	o	o	o	o	x	o	o
	Ammonia in water	30	x	x	x	o	o	o	o	o	o	o	o	o	o	x	o	o
	Ammonium chloride	sat.	o	o	o	o	o	o	o	o	o	o	o	o	o	o	o	o
	Zinc chloride	50	o	o	o	o	o	o	o	o	o	o	o	o	o	o	o	o
Basic salt	Iron(III) chloride	50	o	o	o	o	o	o	o	o	o	o	o	o	o	o	o	o
	Sodium sulfite	sat.	-	-	-	o	o	o	o	o	o	o	o	o	o	o	o	o
	Sodium carbonate	sat.	o	o	o	o	o	o	o	o	o	o	o	o	o	o	o	o
	Potassium chloride	sat.	o	o	o	o	o	o	o	o	o	o	o	o	o	o	o	o
Neutral salt	Sodium sulfate	sat.	o	o	o	o	o	o	o	o	o	o	o	o	o	o	o	o
	Calcium chloride	sat.	o	o	o	o	o	o	o	o	o	o	o	o	o	o	o	o
	Sodium chloride	sat.	o	o	o	o	o	o	o	o	o	o	o	o	o	o	o	o
	Sodium nitrate	50	o	o	o	o	o	o	o	o	o	o	o	o	o	o	o	o
Oxidizing agent	Aluminium chloride	sat.	o	o	o	o	o	o	o	o	o	o	o	o	o	o	o	o
	Hydrogen peroxide	30	o	o	o	o	o	o	o	o	x	-	-	o	o	o	o	o
	Sodium Hypochloride	50	o	o	x	o	o	o	o	o	x	-	-	o	o	o	o	o
	Potassium dichromate	sat.	o	o	o	o	o	o	x	-	x	-	-	o	o	o	o	o
Organic solvent	Chlorinated lime					o	o	o	o	o	o	o	o	o	o	o	o	o
	Ethanol	80	x	-	-	o	o	o	o	x	o	o	o	o	o	o	o	o
	Cyclohexane		o	o	o	o	o	o	o	o	x	o	o	o	o	o	o	o
	Toluene		-	-	-	o	o	o	o	o	o	o	o	o	o	o	o	o
Organic solvent	Trichloroethane		x	x	x	o	o	o	x	x	x	o	o	o	o	o	o	o
	Water		o	o	o	o	o	x	o	o	o	o	o	o	o	o	o	o

o = can be used x = shortens useful life - = cannot be used Blank = no data currently available

Note: Information in this list is based on our general experience and literature data and given in good faith. However, Yokogawa is unable to accept responsibility for claims related to this information.

YOKOGAWA ELECTRIC CORPORATION

World Headquarters
9-32, Nakacho 2-chome, Musashino-shi
Tokyo 180-8750
Japan
www.yokogawa.com

YOKOGAWA CORPORATION OF AMERICA

2 Dart Road
Newnan GA 30265
USA
www.yokogawa.com/us

YOKOGAWA EUROPE BV

Euroweg 2
3825 HD AMERSFOORT
The Netherlands
www.yokogawa.com/eu

YOKOGAWA ELECTRIC ASIA Pte. LTD.

5 Bedok South Road
Singapore 469270
Singapore
www.yokogawa.com/sg

YOKOGAWA CHINA CO. LTD.

Room 1301, Tower 5, THE PLACE
No.100 Zunyi Road
Changing District, Shanghai, China
www.yokogawa.com/cn

YOKOGAWA MIDDLE EAST B.S.C.(c)

P.O. Box 10070, Manama
Building 577, Road 2516, Busaitteen 225
Muharraq, Bahrain
www.yokogawa.com/bh

Yokogawa has an extensive sales and distribution network. Please refer to the European website (www.yokogawa.com/eu) to contact your nearest representative.



YOKOGAWA ◆

IM 12B06J03-02EN-P
Subject to change without notice
Copyright ©

Printed in The Netherlands, 02-2111

IM 12B06J03-02EN-P