

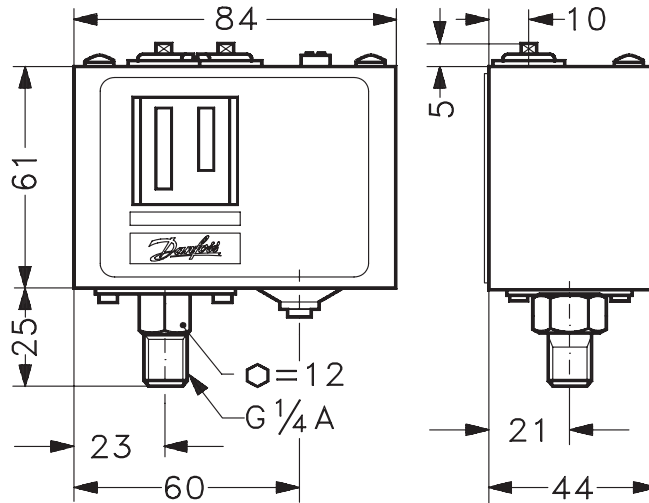
# Installation guide

## Pressure switch

### Type KPI 34, KPI 35, KPI 36 and KPI 38



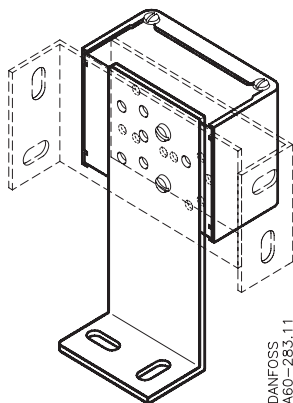
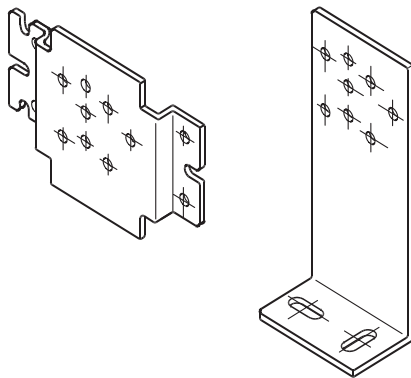
060R9308



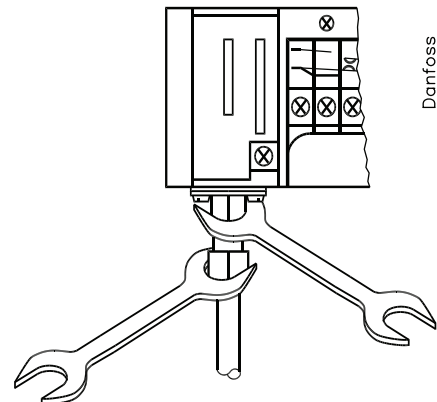
DANFOSS  
A60-823.10.10

060R9308

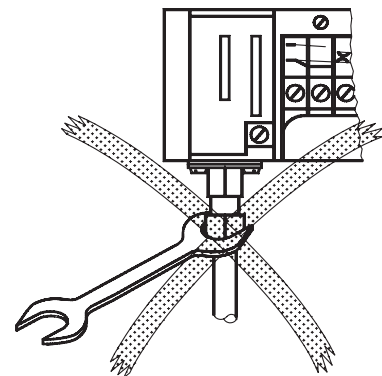
Імпортер: ТОВ з іі "Данфосс ТОВ" 04080, Київ 80, п/с 168, Україна



DANFOSS  
A60-283.11

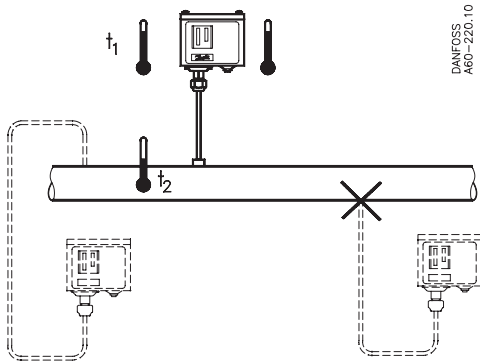


Danfoss  
60-467.12



DANFOSS  
A60-468.12

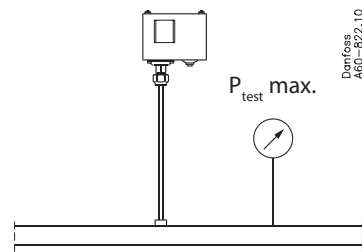
Info for UK customers only: Danfoss Ltd., 22 Wycombe End, HP9 1NB, GB



DANFOSS  
A60-220.10

**KPI 34, KPI 35, KPI 36, KPI 38**

$t_1$  min. -40 °C  
 $t_1$  max. 65 °C  
 $t_2$  min. -40 °C  
 $t_2$  max. 100 °C

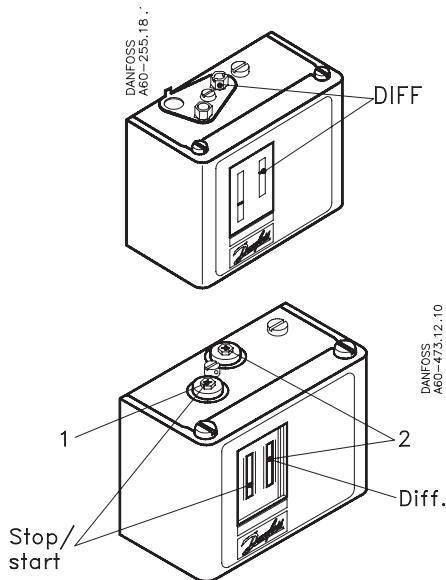


Danfoss  
A60-822.10

KPI 34: 18 bar  
 KPI 35: 18 bar  
 KPI 36: 18 bar  
 KPI 38: 30 bar

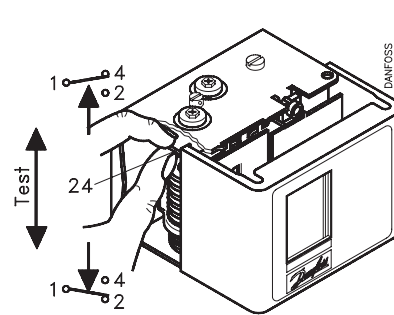
Type	Range	Diff.
KPI 34	-0.2 – 3 bar	0.5 – 1.25 bar
KPI 35	-0.2 – 8 bar	0.4 – 2 bar
KPI 36	4 – 12 bar	0.5 – 1.6 bar
KPI 38	8 – 28 bar	1.8 – 6 bar

**Please note:** No maintenance is required for the switches after final installation.



DANFOSS  
A60-255.18.10

DANFOSS  
A60-473.12.10

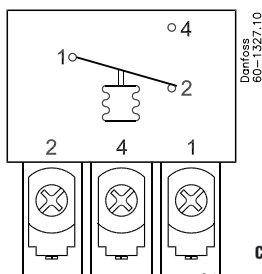


DANFOSS  
A60-474.15.10



**CAUTION:** Disconnect power supply before wiring connections are made or service to avoid possible electrical shock or damage to equipment. Do never touch live parts with your fingers or with any tool.

**Please note:** scale in KP units is indicative only. For accurate setting or when using according to FM approval use additional pressure gauge to set the unit.



Danfoss  
60-1327.10

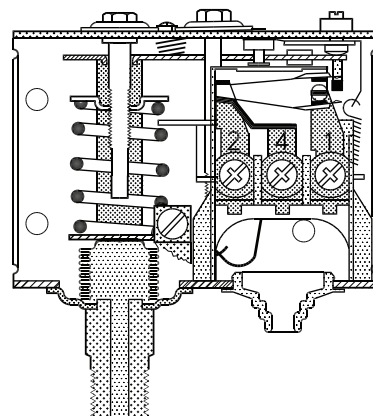
**UL US LISTED** Listed refrigeration controller 61B5

**Standard contact Alternating current**  
 AC-1: 10 A, 440 V  
 AC-3: 6 A, 440 V  
 AC-15: 4 A, 440 V  
 Blocked rotor: 112 A

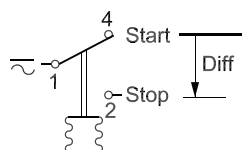
**Direct current:**  
 DC-13, 12 W, 220 V

Voltage		FL	LR	Resist. load	Pilot duty
AC	DC	A	A		
240	—	6	36	8 A	3 A
120	—	8	48	10 A	
—	240	—	—	—	12 W

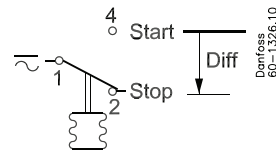
Use copper wire only  
 Tightening torque 20 lb. in.



Danfoss  
A60-776.16



Danfoss  
60-1325.10



Danfoss  
60-1326.10