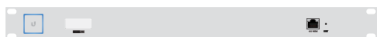


Package Contents



UCK G2 Rackmount Accessory

System Requirements

- UniFi Cloud Key G2 or Cloud Key G2 Plus
- Standard 19" Server Rack

Hardware Overview

Front Panel



Note: This section provides an overview of the front panel as it would function with a Cloud Key installed in the Docking Bay.



1 LED	
White	Ready for configuration
Flashing White	Initializing
Heartbeat Flashing White	Firmware upgrade in progress. Device is busy; do not touch or unplug it.
Blue	Device ready for use
Flashing Blue	Shutting down

	Information
Slow Flashing Blue	User connected to device
Repeating Off/White/Blue	Recovery mode
<p>2 Ethernet Port</p> <p>Connects to a DHCP server on your LAN. Power can be provided by an 802.3af PoE switch, such as the UniFi PoE Switch.</p>	
<p>3 Reset Button</p> <p>The Reset button serves two functions:</p> <ul style="list-style-type: none"> • Restart Press and release the Reset button quickly to restart the Cloud Key. • Restore to Factory Default Settings Press and hold the Reset button for more than five seconds to restore factory default settings to the Cloud Key. 	

Back Panel



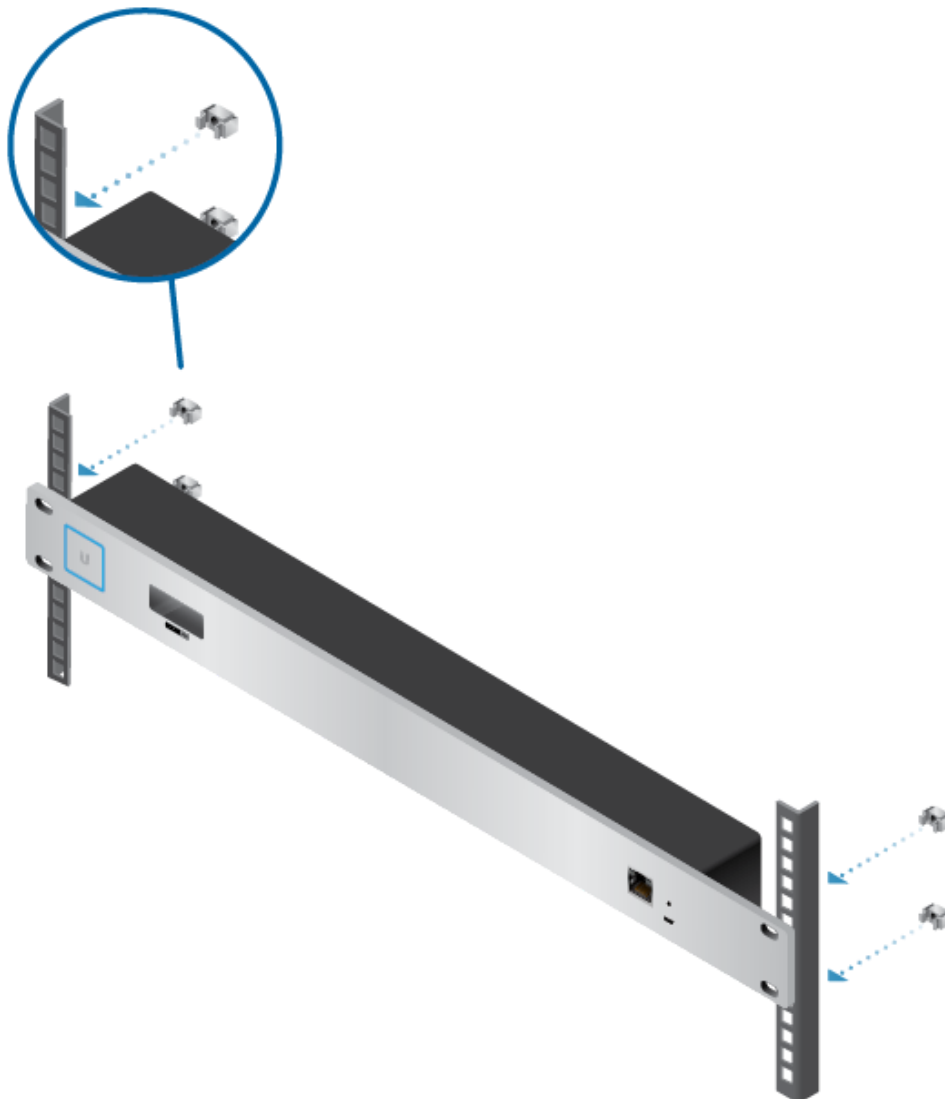
<p>4 Lock Tab</p> <p>Mechanism that allows you to adjust the size of the Docking Bay depending on which Cloud Key you are using: UCK-G2 or UCK-G2-PLUS.</p>
<p>5 Docking Bay</p> <p>Interface where the Cloud Key connects to the rackmount.</p>

Hardware Installation

1.

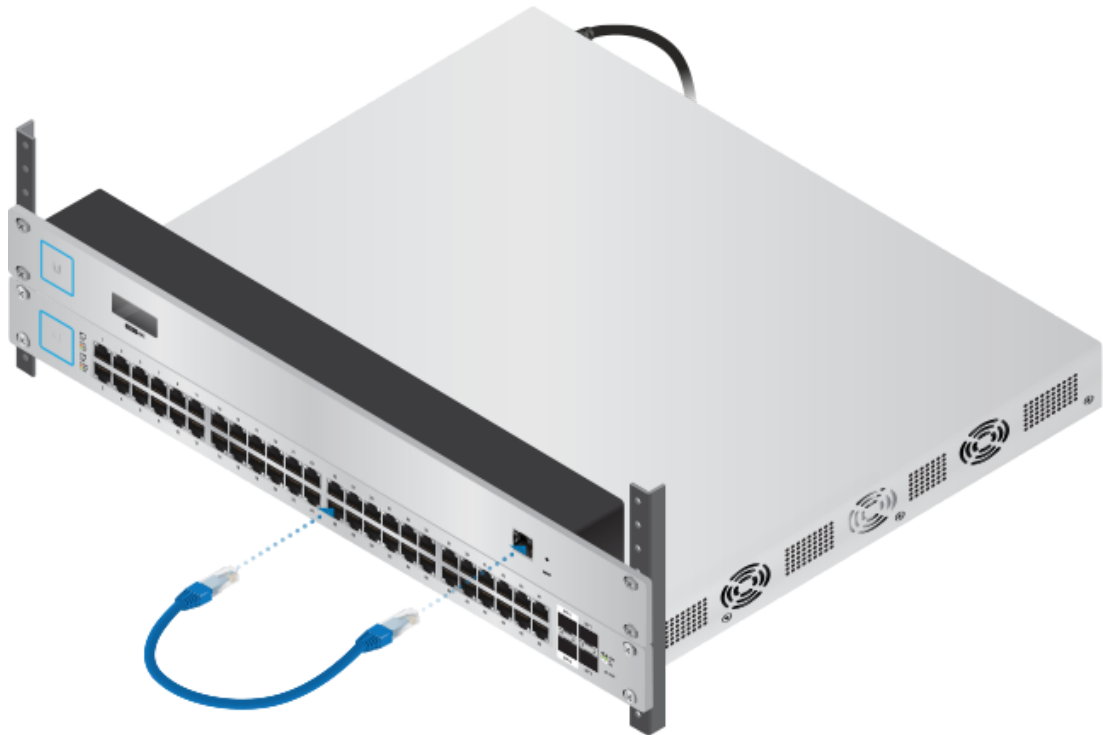


OR





2.



Connecting the Cloud Key G2

1.

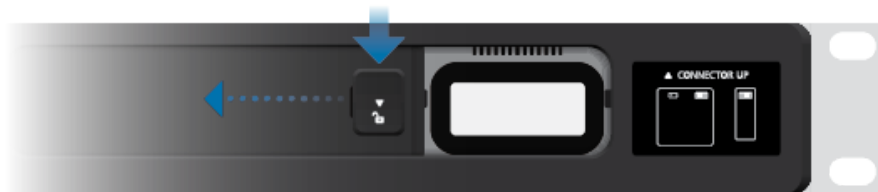




Warning: To prevent creating a loop or other unfavorable behavior on the network, only one Ethernet connection should be used. Do not use the Ethernet ports on the Cloud Key G2 and Rackmount Accessory simultaneously.

Connecting the Cloud Key G2 Plus

1.



2.





Warning: To prevent creating a loop or other unfavorable behavior on the network, only one Ethernet connection should be used. Do not use the Ethernet ports on the Cloud Key G2 Plus and Rackmount Accessory simultaneously.

Specifications

CKG2-RM	
Dimensions	27.10 x 46.80 x 119.75 mm (1.07 x 1.84 x 4.71")
Weight	172 g (6.07 oz)
Enclosure	Aluminum
Management Interface	UniFi
Networking Interface	(1) 10/100/1000 Ethernet Port
Buttons	(1) Reset to Defaults Power
Power Method	802.3af PoE DC 5V, 1A
Power Supply	802.3af PoE or USB-C 5V, Minimum 1A
Max. Power Consumption	5W
Operating Temperature	0 to 35° C (32 to 104° F)
Operating Humidity	20 to 80% Noncondensing
Certifications	CE, FCC, IC

1. Read, follow, and keep these instructions.
2. Heed all warnings.
3. Only use attachments/accessories specified by the manufacturer.



WARNING: Do not use this product in location that can be submerged by water.



WARNING: Avoid using this product during an electrical storm. There may be a remote risk of electric shock from lightning.

Electrical Safety Information

1. Compliance is required with respect to voltage, frequency, and current requirements indicated on the manufacturer's label. Connection to a different power source than those specified may result in improper operation, damage to the equipment or pose a fire hazard if the limitations are not followed.
2. There are no operator serviceable parts inside this equipment. Service should be provided only by a qualified service technician.

Limited Warranty

ui.com/support/warranty

The limited warranty requires the use of arbitration to resolve disputes on an individual basis, and, where applicable, specify arbitration instead of jury trials or class actions.

Compliance

Battery Warning

1. Do not expose cells or batteries to heat or fire. Avoid storage in direct sunlight.
2. Do not use any cell or battery which is not designed for use with the equipment.
3. Always purchase the battery recommended by the device manufacturer for the equipment.
4. Secondary cells and batteries need to be charged before use. Always use the correct charger and refer to the manufacturer's instructions or equipment manual for proper charging instructions.

Australia and New Zealand



Warning: This equipment is compliant with Class A of CISPR 32. In a residential environment this equipment may cause radio interference.

CE Marking

CE marking on this product represents the product is in compliance with all directives that are applicable to it.



WEEE Compliance Statement

Declaration of Conformity

Online Resources

