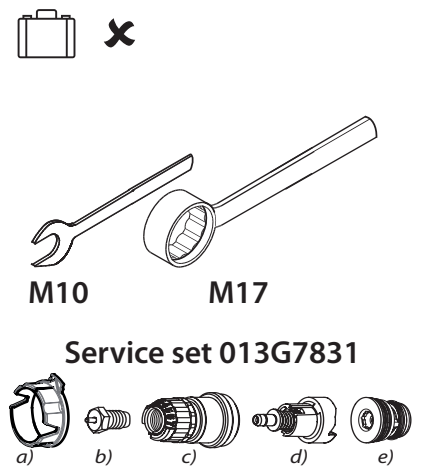
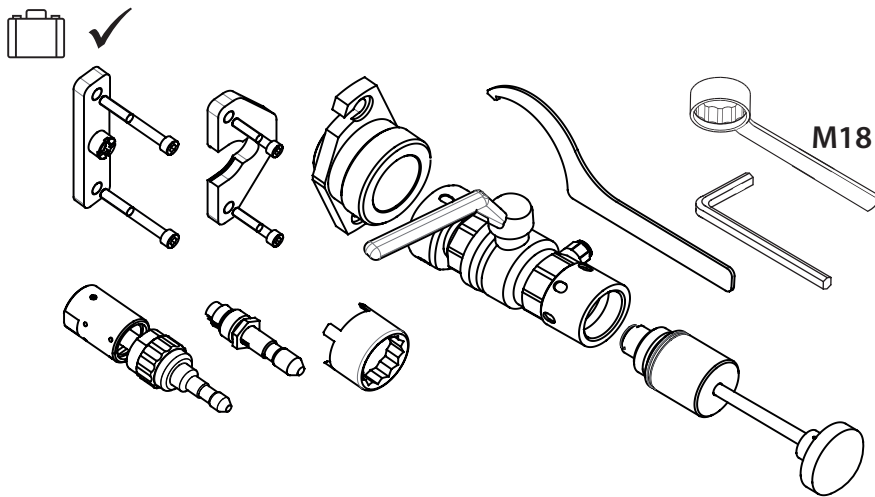
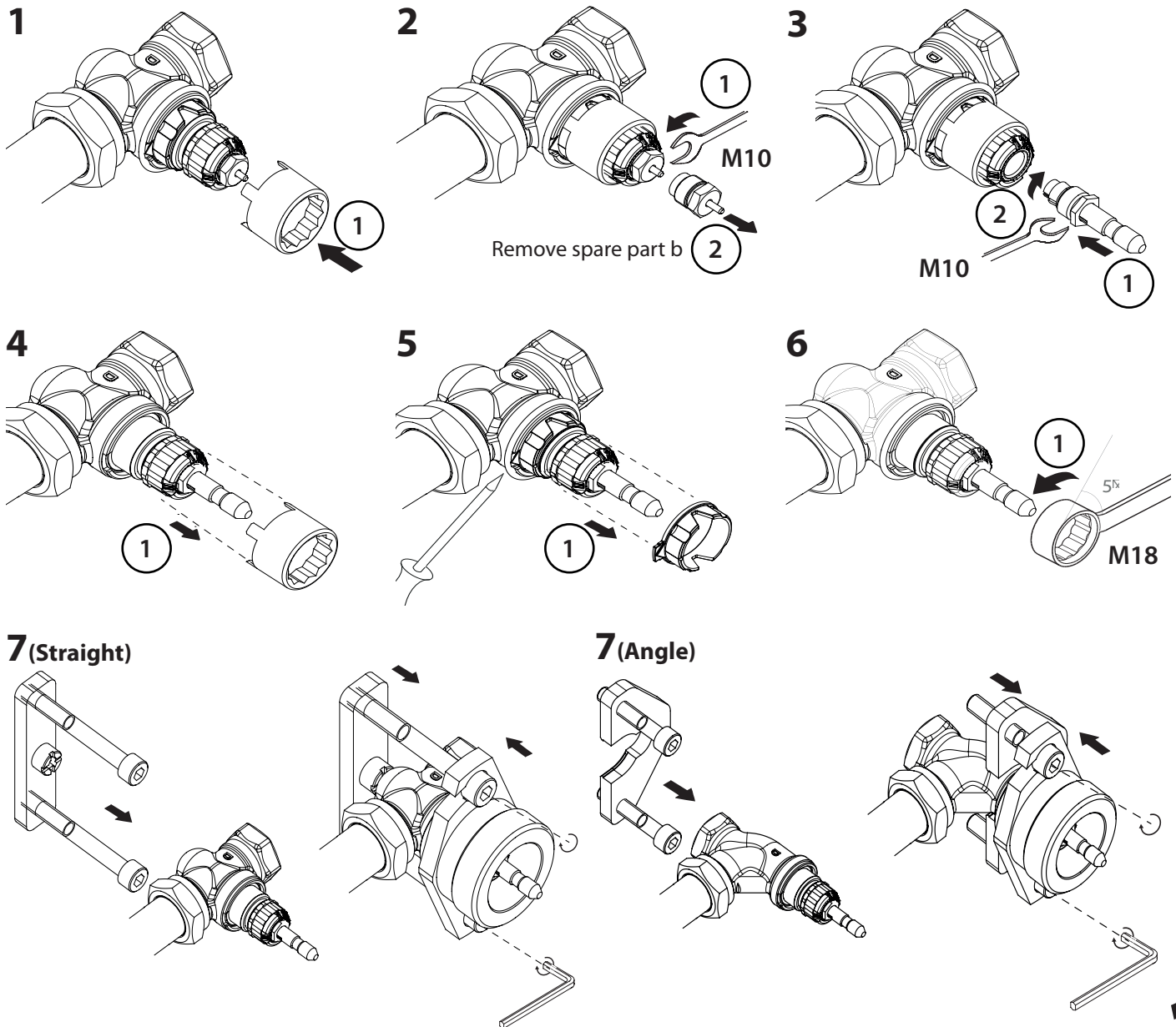


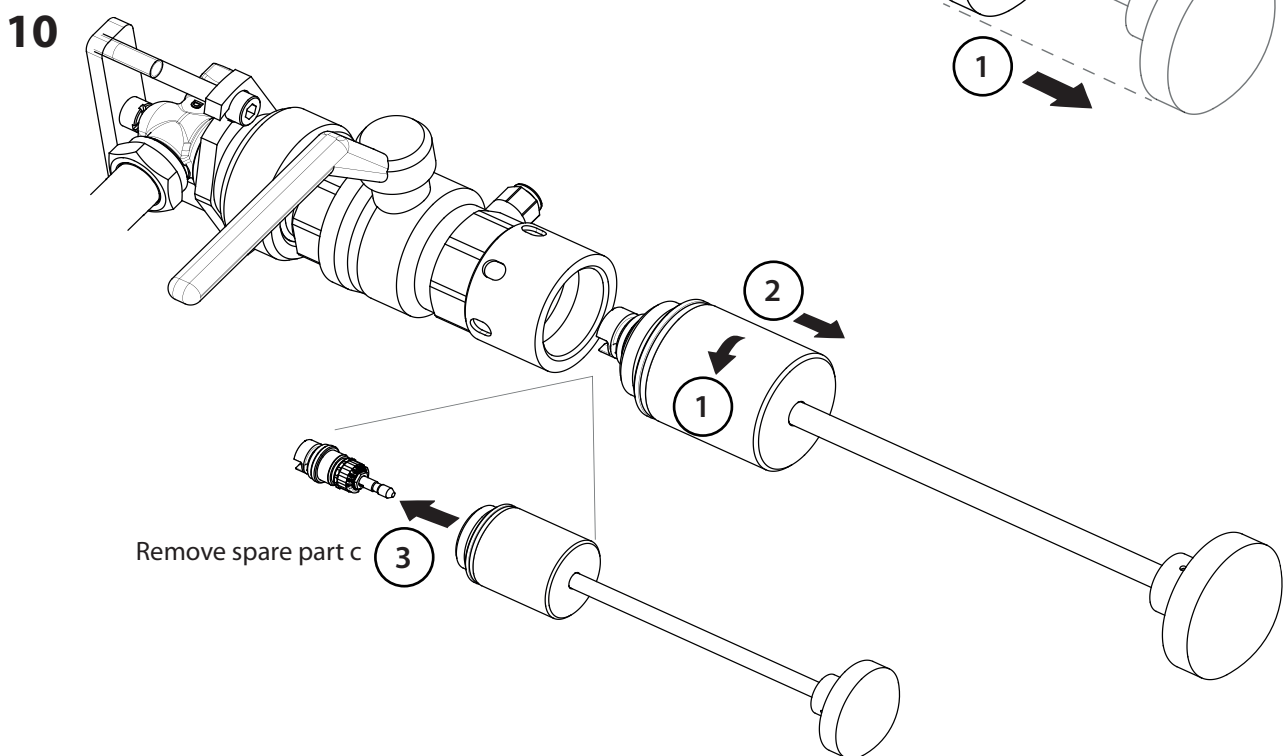
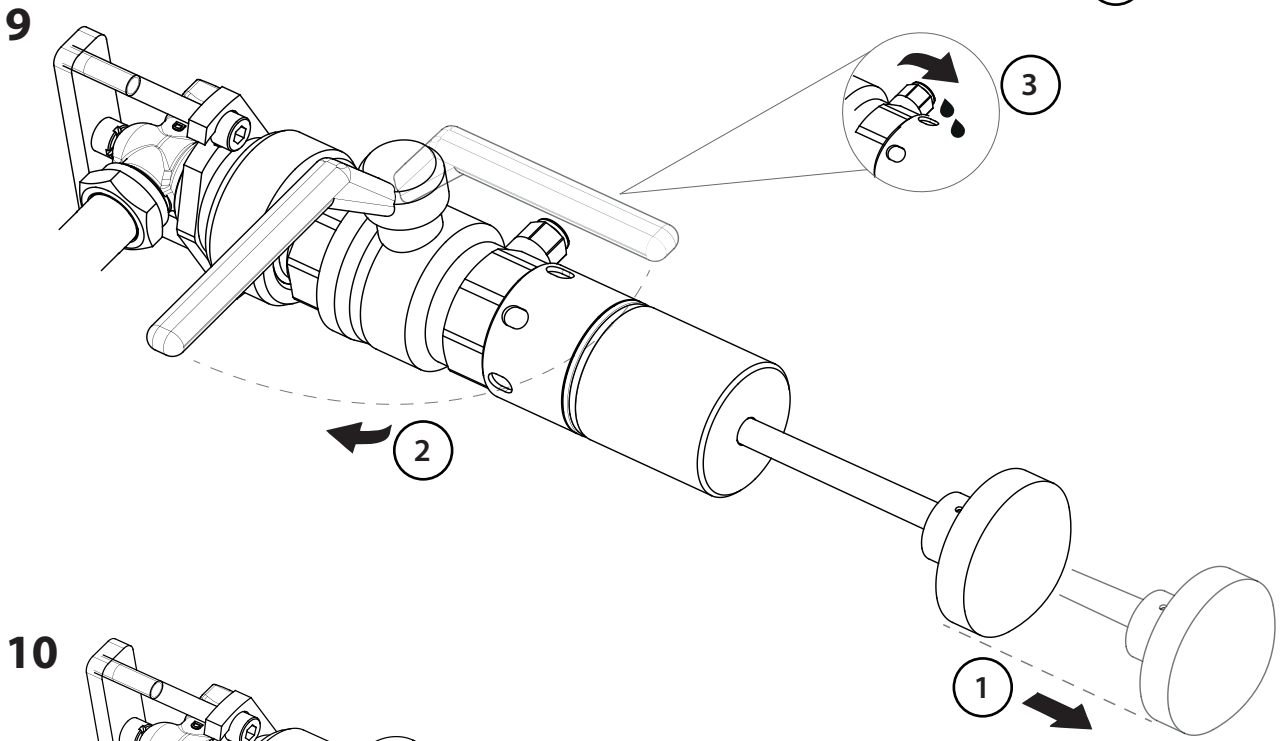
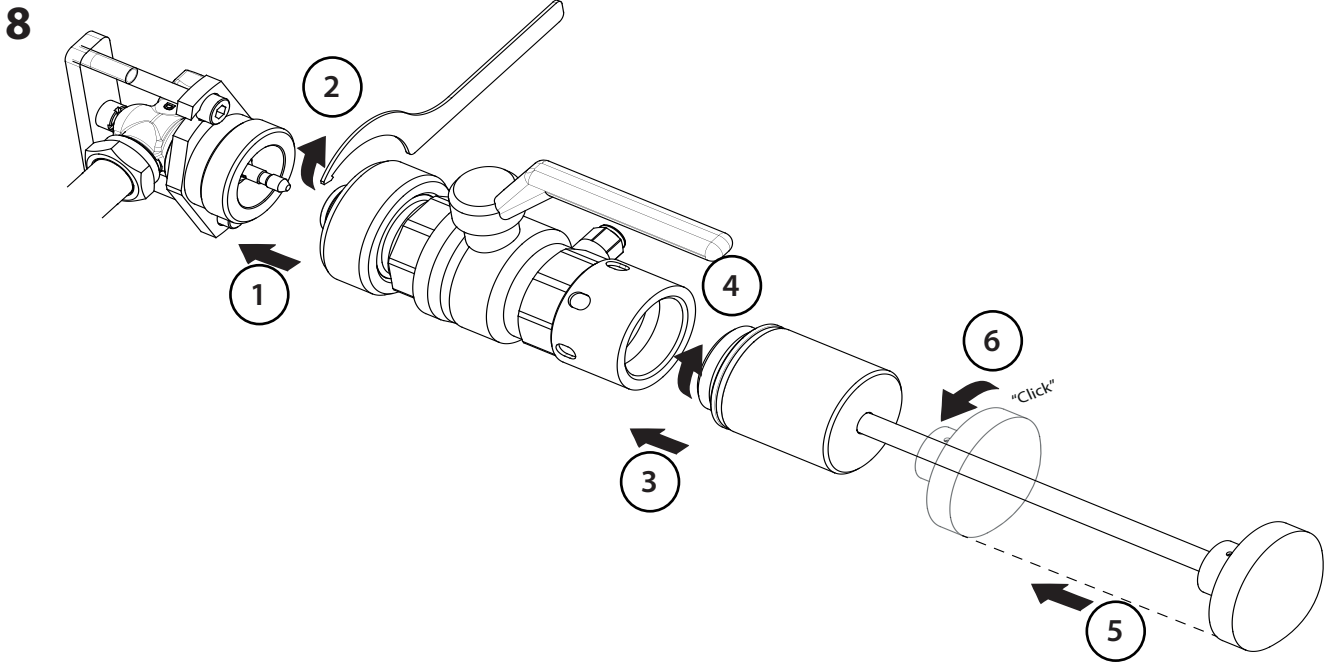
RA-DV Dynamic Valve™ Demounting Tool User Guide

ENGINEERING
TOMORROW

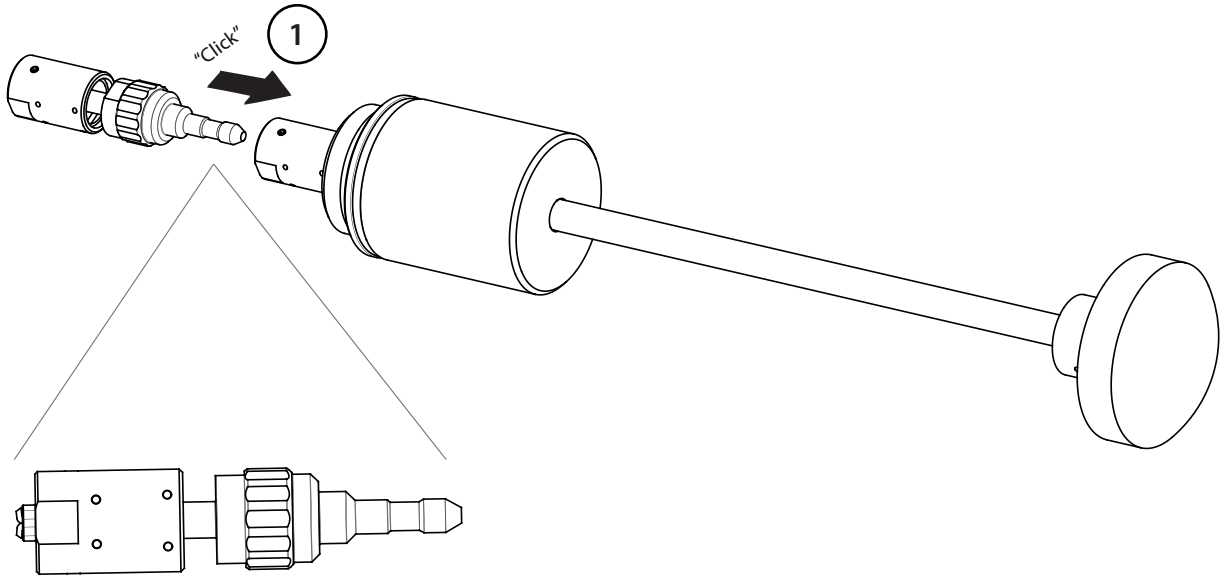


! Turn OFF the pump before starting, max 3 bar pressure.

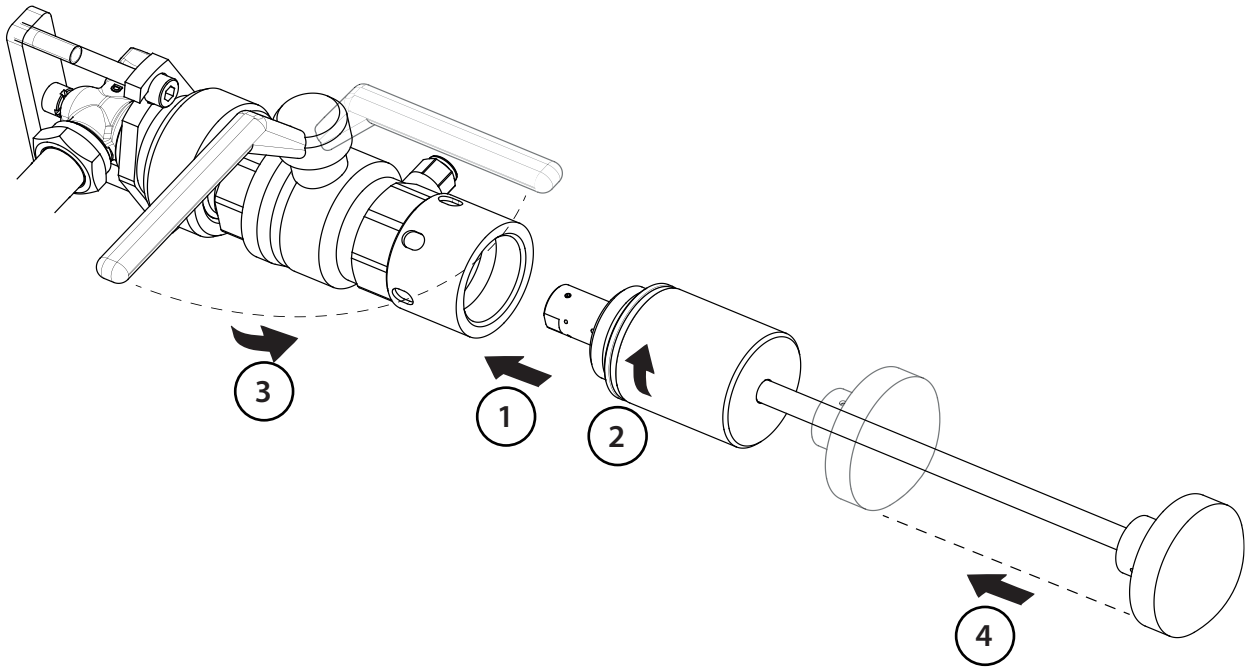




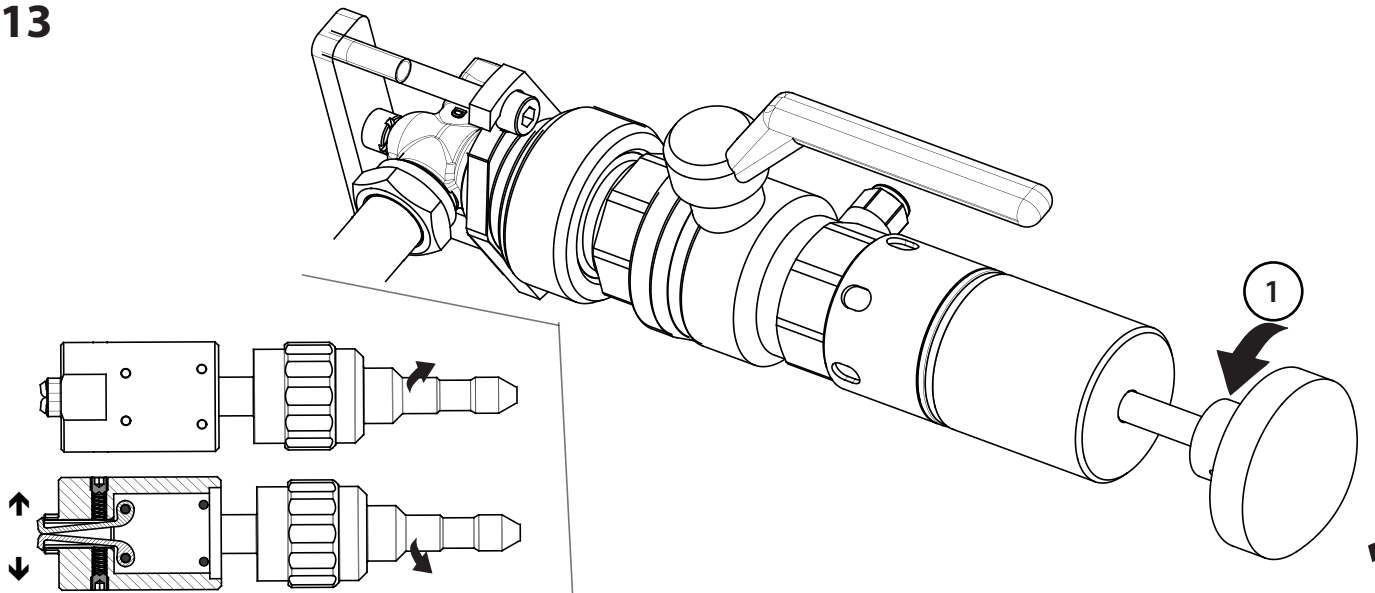
11



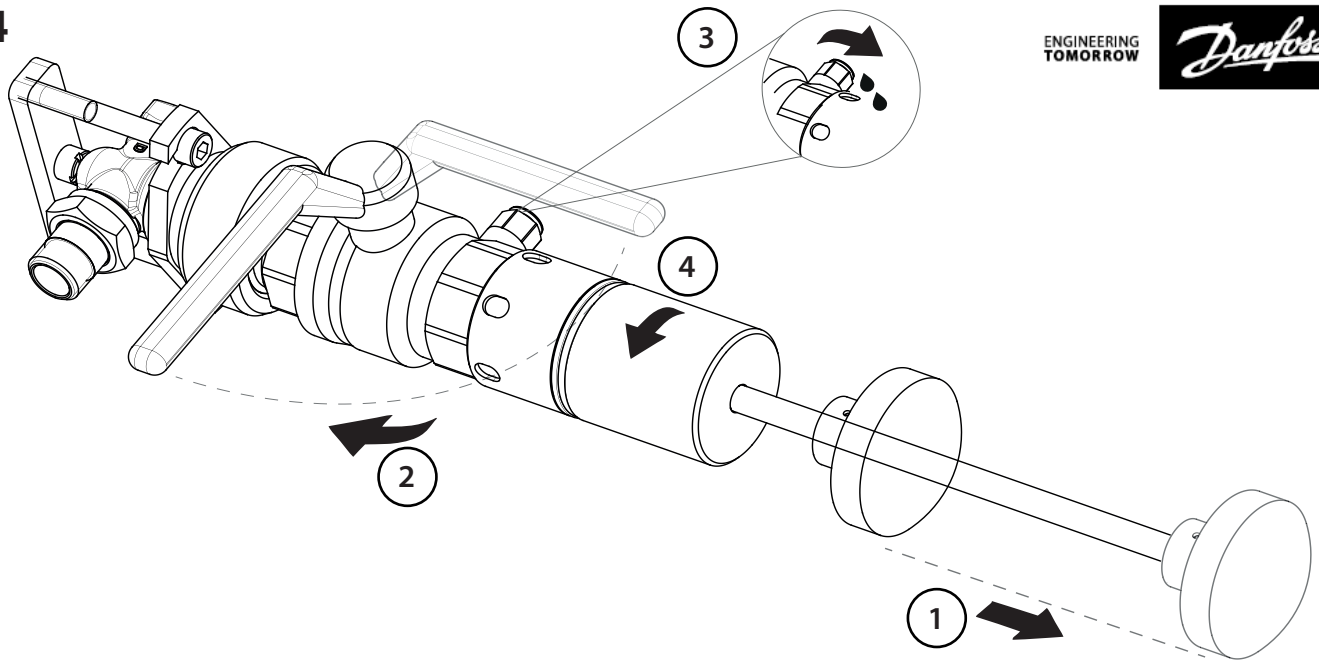
12



13



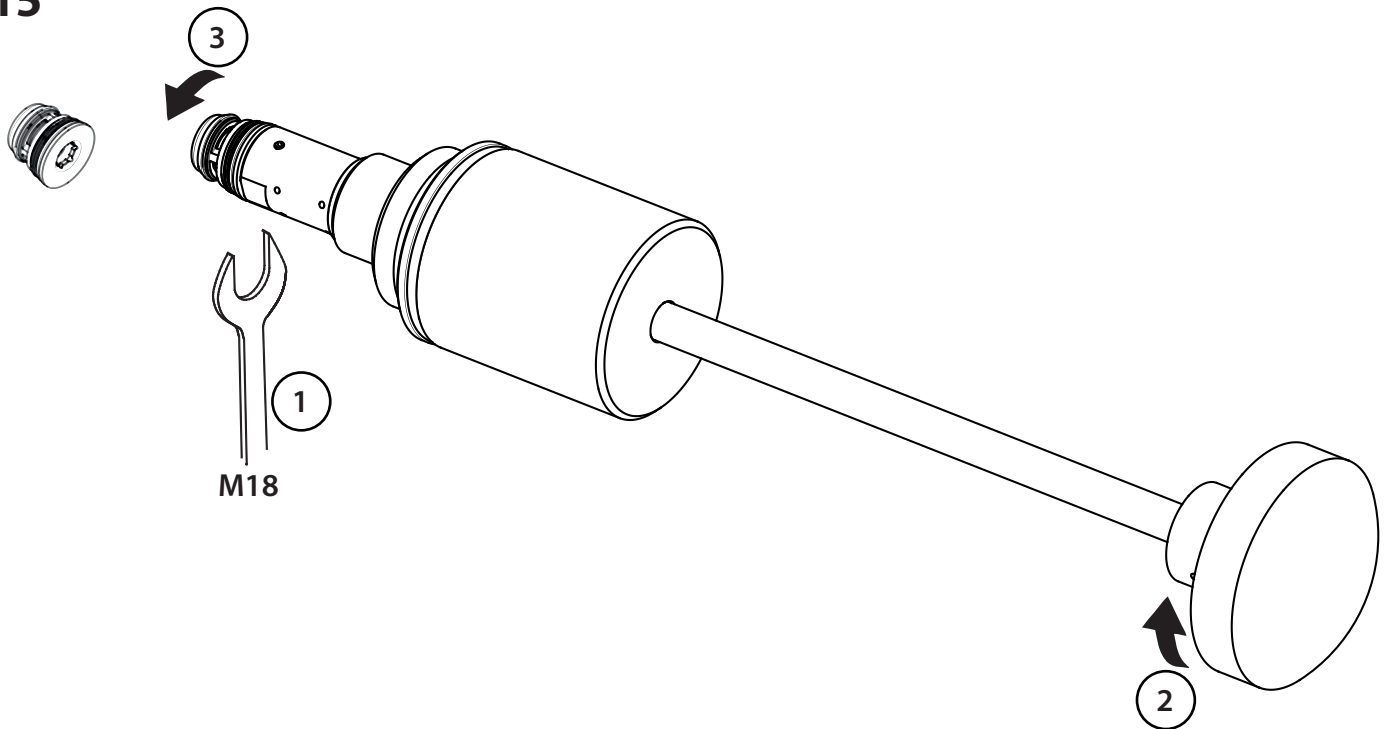
14



ENGINEERING
TOMORROW



15



Danfoss A/S
 Heating Solutions
 Haarupvaenget 11
 8600 Silkeborg
 Denmark
 Email: heating.solutions@danfoss.com
 www.heating.danfoss.com

Danfoss can accept no responsibility for possible errors in catalogues, brochures and other printed material. Danfoss reserves the right to alter its products without notice. This also applies to products already on order provided that such alterations can be made without subsequential changes being necessary in specifications already agreed. All trademarks in this material are property of the respective companies. Danfoss and the Danfoss logotype are trademarks of Danfoss A/S. All rights reserved.