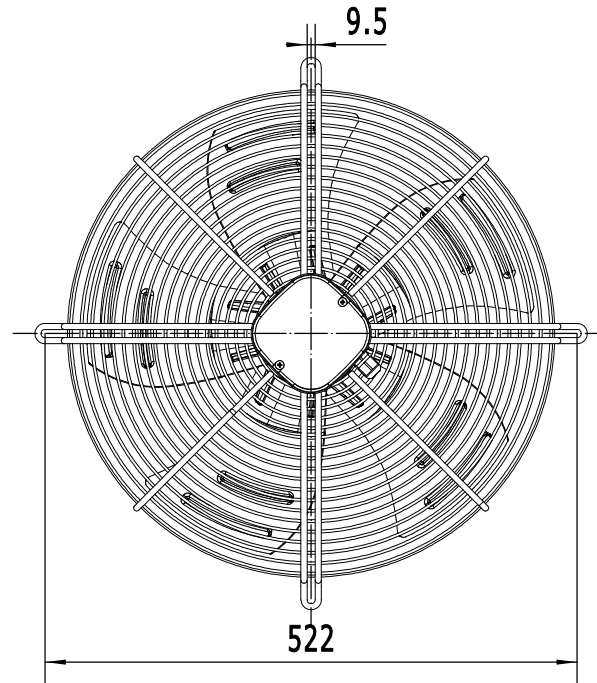
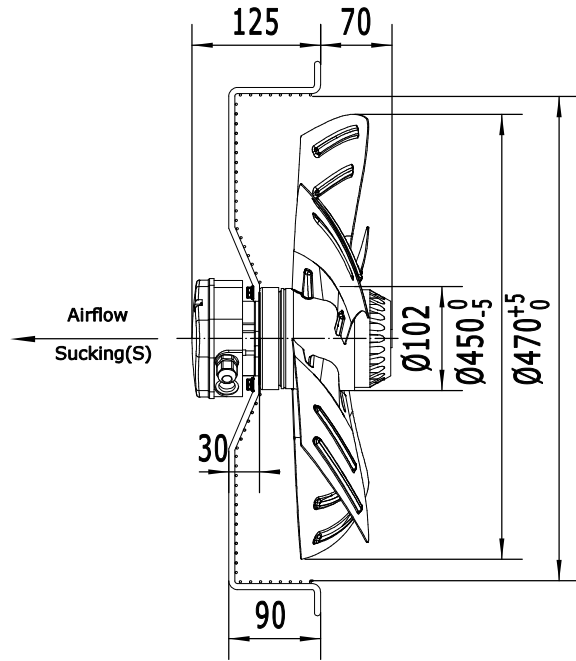


NO. 4E450S-2017-A0



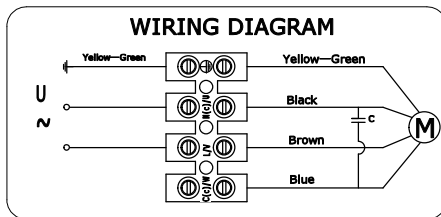
SPECIFICATION 规格说明
HANGZHOU WEIGUANG ELECTRONIC CO.,LTD.



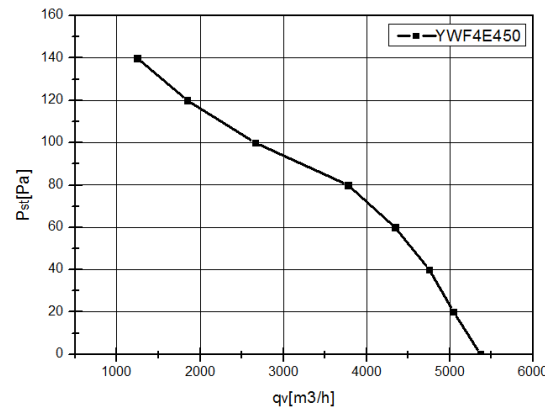
LABEL (铭牌):



WIRING DIAGRAM (接线图):



FLOW RATE CURVE (风量曲线):



| | |
|-------------------------------|---|
| UNIT 类型 | Axial fan motor 外转子轴流风机 |
| MOTOR 电机型式 | Single phase motor with capacitor |
| MOTOR TYPE 电机型号 | YWF4E-450S-102/60-G |
| VOLTAGE 额定电压 (V) | 220 |
| FREQUENCY 频率 (Hz) | 50 |
| INPUT POWER 输入功率 (W) | 250 |
| CURRENT 电流 (A) | 1.15 |
| SPEED 转速 (r/min) | 1350 |
| AIR FLOW 20Pa 风量 (m³/h) | 5050 |
| NOISE 噪音 (dBA) | 69 |
| CAPACITOR 电容 (μ F/450V) | 8 |
| ROTATION 旋转方向 | CW ,looking into the end-shield 顺时针, 从端盖端方向看 |
| INSULATION CLASS 绝缘等级 | B |
| MOTOR PROTECTION 电机保护 | Thermocontact 135±5℃ 热保护器 |
| TEMPERATURE RISE 温升 | 75K max 运行温升不超过75K |
| TYPE OF PROTECTION 防护等级 | IP44 |
| OPERATING TYPE 工作定额 | S1 连续工作制 |
| AMBIENT TEMPERATURE 适用环境温度 | -30℃ +60℃ |
| BEARINGS 轴承型式 | Ball bearings 滚珠轴承 |
| MOUNTING TYPE 安装方式 | Horizontal or Vertical 垂直或水平安装 |
| ELECTRICAL CONNECTION 电源线 | Lead wire Silikon 4G 0.50mm² ,Length 100mm in terminal box connected 接线盒(4芯0.5mm²线长100mm) |
| APPROVALS 认证标记 | CCC、CE |
| NET WEIGHT/GROSS WEIGHT 净重/毛重 | 8.0/9.0kg |
| PACKING 包装 | 48.5*48.5*22cm |

| | | | | | | | |
|------|-------------|----------|------|---------|------|------|-------------------------------------|
| REV. | DESCRIPTION | APPROVED | DATE | DRN. BY | SIGN | DATE | TITLE YWF4E-450S-102/60-G |
| | | | | CHD. BY | | | |
| | | | | ENG. BY | | | |
| | | | | APP. BY | | | |
| | | | | | | | |

PROJECTION A4
SCALE
SHEET: of