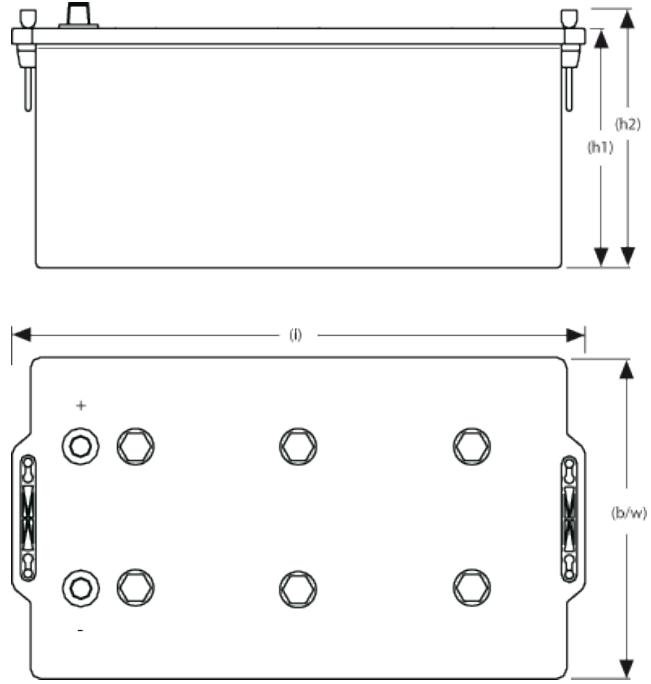
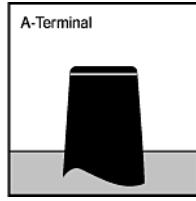


Sonnenschein – A412/180 A data sheet



Terminal: Drawing:



Specifications:

Part numbers not valid for North America, use type for ordering!

Switch to: Discharge at 25 °C/inches/lb

Exide type designation	Nom. Voltage V	Nom. capacity C ₁₀ 1.80 Vpc 20 °C Ah	Length (l) max. mm	Width (b/w) max. mm	Height top of cover (h1) max. mm	Height over terminals (h2) max. mm	Weight approx. kg	Internal resistance mOhm	Short circuit current A	Max. Load approx. A	Max. perm current 5 secs. A	Terminal
A412/180 A	12	180	518	274	216	238	64.0	3.8	3227	770	2600	A-Terminal

Constant-current discharge in A @ 20 °C

Part number	Vpc	5 min	10 min	15 min	20 min	30 min	45 min	1 h	2 h	3 h	4 h	5 h	8 h	10 h
NGA4120180HS0CA	1.85	240	193	170	155	130	103	84.0	59.0	42.6	34.0	28.6	19.1	16.5
NGA4120180HS0CA	1.80	290	235	194	171	144	112	90.0	62.0	44.6	35.5	29.7	19.8	18.0
NGA4120180HS0CA	1.75	328	266	216	185	152	117	94.0	63.0	45.5	36.1	30.1	20.1	18.0
NGA4120180HS0CA	1.70	366	287	234	199	156	120	95.0	64.0	45.9	36.3	30.3	20.2	18.0
NGA4120180HS0CA	1.65	399	305	250	212	159	122	96.0	63.9	46.0	36.4	30.4	20.2	18.0
NGA4120180HS0CA	1.60	439	322	258	217	162	123	96.0	64.0	46.0	36.4	30.4	20.2	18.0

Constant-power discharge in W/block @ 20 °C

Part number	Vpc	2 min	3 min	5 min	7 min	10 min	15 min	20 min	30 min	45 min	1 h	2 h	3 h
NGA4120180HS0CA	1.85	3474	3323	3112	2959	2679	2284	2010	1562	1214	1015	632	467
NGA4120180HS0CA	1.80	4109	3898	3559	3336	3012	2594	2241	1756	1339	1104	687	507
NGA4120180HS0CA	1.75	4555	4307	3950	3659	3316	2821	2399	1876	1413	1156	695	515
NGA4120180HS0CA	1.70	4990	4742	4298	3929	3477	2975	2502	1944	1455	1184	697	517
NGA4120180HS0CA	1.65	5419	5099	4628	4162	3588	3073	2565	1978	1475	1198	700	518
NGA4120180HS0CA	1.60	5825	5395	4832	4360	3701	3130	2599	1993	1484	1203	702	519