

# Verderdos

## VE Dual pH-Chlorine dosing pump



VERDERDOS

### Description

The VE Dual pH-chlorine is a compact dosing system with built-in controller and two solenoid dosing pumps, capable of reading and adjusting pH and Chlorine parameters in water. Fully programmable, it is the perfect all in one solution for water disinfection with the exclusive function pH stability only available on the dual line of products. The VE Dual pH-Chlorine system gives real time display of chlorine value in PPM in the water.

### Features

- Double system with built in pH-Chlorine and T° controller
- Flow rate display in percentage
- 3 different functioning mode: constant, ON / OFF, proportional
- Password protected
- Start up delay
- Overdose time alarm
- Default parameter restore option
- pH Stability mode
- STAND BY modality
- Over / under range signal
- Backlit LCD
- IP 65 protection
- 230 VAC 50-60 Hz standard power supply
- Level probe input
- Flow sensor input
- ON / OFF switch
- Supplied with SCHUKO plug

### Materials

Material selection Pump head	Standard	Optional
Standard flow model	PVDF	PP
Material		
Balls	Pyrex	Ceramic, PTFE, SS 316
Diaphragm	PTFE	-
Fittings	PVDF 1/2"	PP 1/2"
Seals	FPM	EPDM
Valve cartridges	PVDF 4 x 6	PP 4 x 6
Foot filter	PVDF 4 x 6 ball valve	PP 4 x 6 ball valve
Injection valve	PVDF 4 x 6 ball valve	PP 4 x 6 ball valve
Suction tube	PVC 4 x 6	PVDF
Delivery tube	PE 4 x 6	PVDF

	PTFE BALLS	SS 316 BALLS	PYREX BALLS	CERAMIC BALLS
<b>Material</b>	PTFE	SS 316	DURAN – PYREX	AL <sup>2</sup> O <sup>3</sup>
<b>Hardness</b>	60 ( D )	1407160 HB	± 45 HRC	± 45 HRC
<b>Specific weight</b>	2.10 g/cm <sup>3</sup>	8.02 g/cm <sup>3</sup>	2.23 g/cm <sup>3</sup>	3.90 g/cm <sup>3</sup>
<b>Description</b>	Resistant to most of oxidizing chemicals, inorganic salt solutions, hydrocarbons. Non-conductive.	Spheres with resistance to corrosion caused by chemical solutions oxidants, organic chemicals, sterile solutions, mineral water and sea water, ammonia, salt air, etc.	Spheres with excellent chemical inertness to most acids. Excellent for use in metering pumps and valves in contact with strong oxidizing concentrations.	Resistant to most corrosive agents. Not recommended for use with hydrochloric acid and hydrofluoric acid solutions. Maximum abrasion resistance.

### Technical data

Standard	Flow max l/h	Pressure bar	Max operating temp °C	Max cc/min	Stroke	Solenoid	Body pump	Power c Watt	Pulses ppm	Weight kg
Chlorine	10	2	65	1.11	1.3	Ø 80	PVDF	60	150	8
pH pump	5	10	65	0.55	1.1	Ø 80	PVDF	60	150	8

# Verderdos

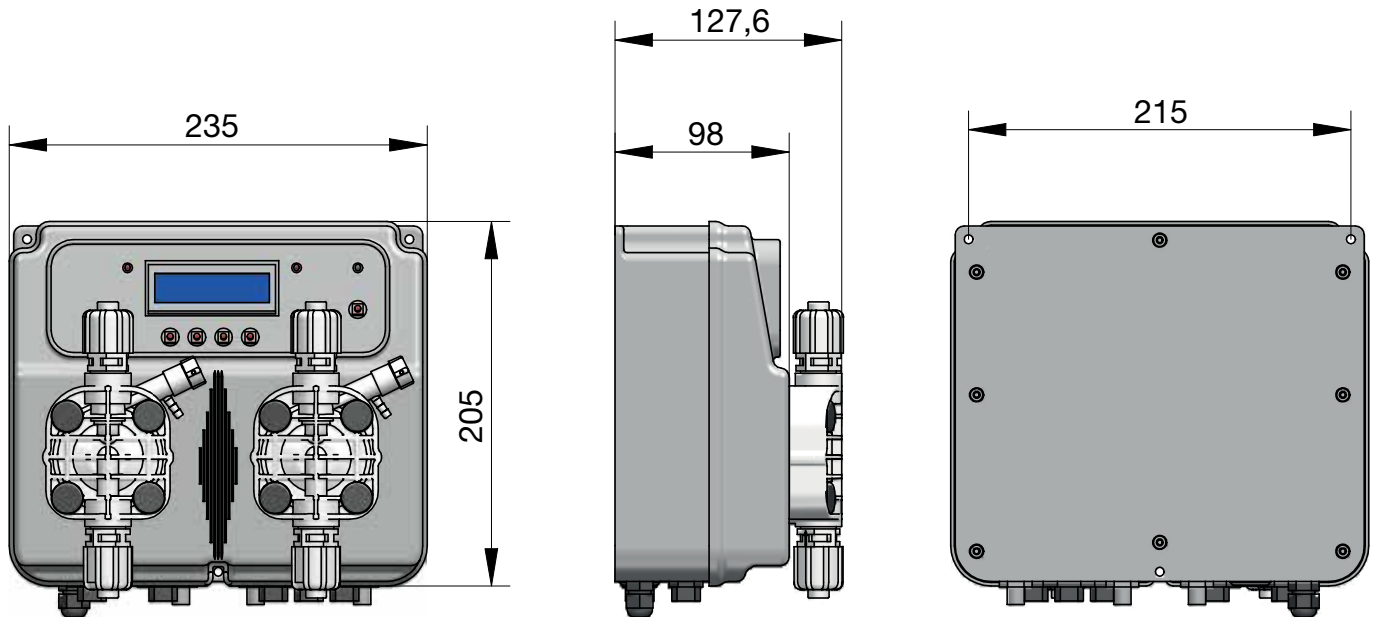
## VE Dual pH-Chlorine dosing pump

VERDERDOS



### Dimensions

(in mm)



### Standard installation kit

PVDF Injection valve SP VITON	PVDF foot filter SP VT	Delivery tube 2 m PE 4x6	Suction tube 2 m PVC 4x6	Bleed tube 1.5 m PVC 4x6
				

### Accessories

- Probes (ph/Redox/Chlorine Cells)
- Probe holders
- Suction lances
- Mixers
- Tanks & bunds
- Water Meters

Find your local supplier  
at [www.verderdos.com](http://www.verderdos.com)

For construction, installation and mounting drawings  
please contact your local authorised Verderdos distributor.

**VERDER**  
passion for pumps