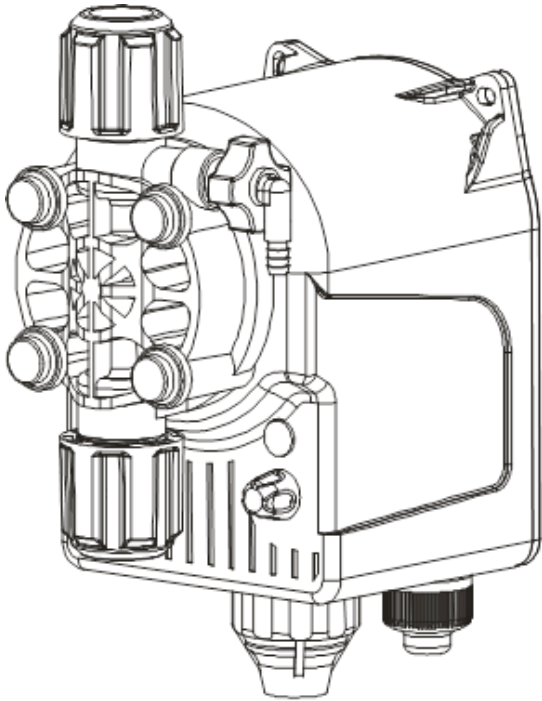


DOSING PUMP

INVIKTA SERIES – Solenoid Dosing Pump



TECHNICAL CHARACTERISTICS



- Flow rates: from 0.2 to 5 l/h
- Max Pressure: up to 7 bar (101.5 psi)
- Power supply:
 - 230 Vac 50/60 Hz
 - 24 Vac on request
- Stroke rate: from 20 up to 160 strokes/minute
- Pump head:
 - PVDF-T
 - PVDF
- Diaphragm: PTFE
- External Enclosure: PP protection degree IP65
- Installation kit: Included
- Detergent & Rinse installation kit: On request

Seko Invikta Series is a simple solenoid dosing pump, operating with a micro-processor to manage the dosing. Thanks to its small dimension and simple shape, this pump is ideal for application as: OEM's, Swimming pool, Car Wash, Cooling Towers, RO System and so on.

Its external enclosure has an IP55, which guarantees a protection versus splashing water and aggressive environments.

Invikta pump has a LED, which shows the state of the operation:

- Continuous flash when is working properly
- Slow flash when the pump is stopped

The pump head has a manual priming valve and the flow rate is manually adjustable from 0 (pump stop) to 100% of the max flow rate.

The power supply is 230 Vac (standard) and 24 Vac (on request).

The pump can be fixed directly on wall by fixing brackets.

Invikta includes also the installation kit.

The ambient temperature at the site of pump installation cannot exceed 40°C, and the relative humidity cannot be above 90%; the pump cannot be installed in a place exposed to sun or bad weather.

DOSING PUMP

INVIKTA SERIES – Solenoid Dosing Pump



KEY CODE

model

KCS Analogic dosing pump with constant flow rate, manually adjustable

hydraulics	Pressure [bar]	Flow rate [l/h]	Capacity [cc/stroke]	Frequency [stroke/1']	Ø Connections IN / EXT [mm]
620	1	0,2	0,17	20	Low Noise
630	7	0,6	0,10	100	Low Flow
632	7	2	0,33	100	4 / 6
633	5	5	0,52	160	

power supply

A	230 Vac (AMS only)
O	24 Vac

liquid end

V	PVDF-T
---	--------

seals

F	FKM-B	
E	EPDM	
B	FPM	<i>for Car Wash applications - special seals</i>
C	EPDM	

installation kit

K	standard	
D	Detergent	
R	Rinse	
S	LOW NOISE	<i>ONLY injection valve</i>

optional

0	standard
---	----------

KCS 633 A V F K 00

DOSING PUMP

INVIKTA SERIES – Solenoid Dosing Pump



HYDRAULIC CHARACTERISTICS

Pump Model	Pressure [bar]	Flow Rate [l/h]	Frequency max [str./min]	Stroke capacity [cc/str.]	Connection [mm]		Power supply [Vac]	Consumption [W]	
					Suction	Discharge		Min	Max
K C S 620	1	0,2	20	0,17	4/6	4/6	230 Vac	-	-
K C S 630	7	0,6	100	0,1					
K C S 632	7	2,0	100	0,33					
K C S 633	5	5,0	160	0,52					

* Pressure Data in the table refer to the measured parameters on the plant, including the use of SEKO STANDARD injection fitting.

DIMENSIONS

ALL the models

WALL bracket

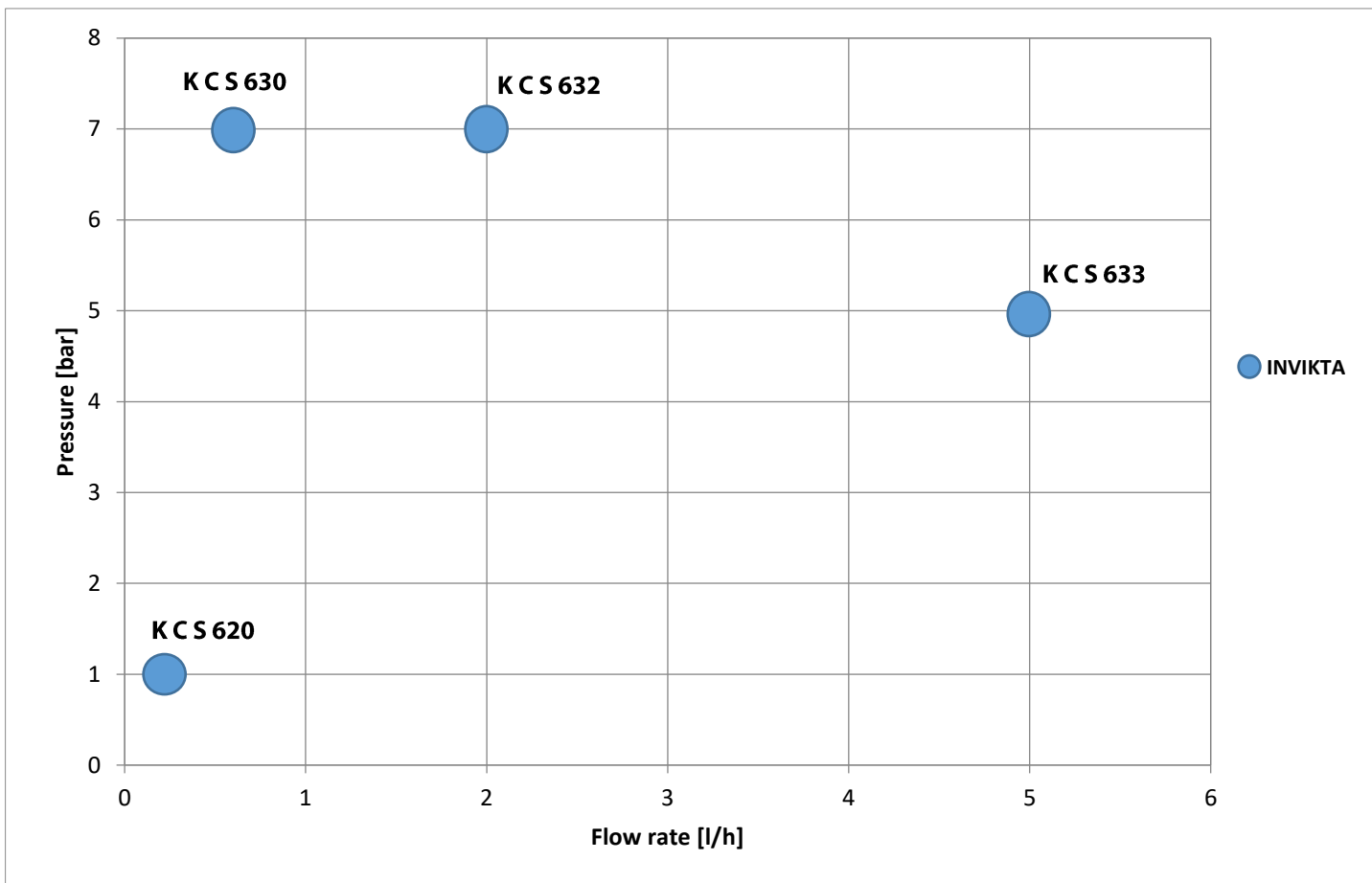
INSTALLATION KIT	PVDF-T
foot filter	●
injection valve	●
PVC suction / purge tube	4 mt
PE delivery tube	2 mt
Wall fixing bracket	optional

DOSING PUMP

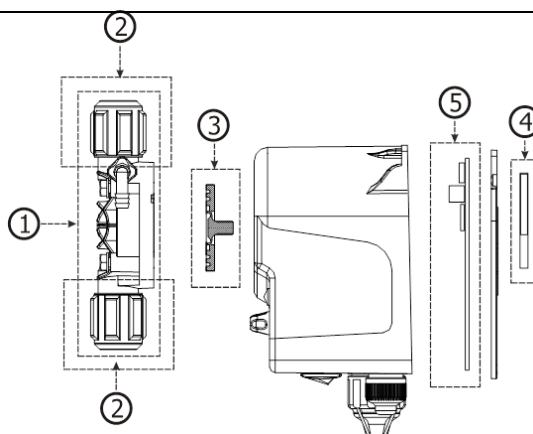
INVIKTA SERIES – Solenoid Dosing Pump



PERFORMANCE



SPARE PARTS



Ref.	Description	Model
1.	Complete Pump Head (PVDF-T / Ceramic balls). Seals made in:	FKM-B <i>SILENT – STD – RINSE</i>
		EPDM <i>SILENT – STD – DET</i>
2.	Valve assembly Suction + Discharge (PVDF-T / Ceramic balls). Seals made in:	FKM-B <i>SILENT – STD – RINSE</i>
		EPDM <i>SILENT – STD – DET</i>
3.	Diaphragm	<i>ALL the models</i>
4.	Mounting bracket	
5.	Electronic control boards	