



CLIFF

ENG	ELECTRIC SAUNA HEATER	3-14
EST	SAUNA ELEKTRIKERIS	15-29
GER	ELEKTRISCHER SAUNAOFEN	31-43
FR	POÊLE ÉLECTRIQUE	45-57
FIN	SAUNA SÄHKÖKIUKAAN	59-71
SWE	ELEKTRISKT BASTUAGGREGAT	73-85
POL	PIEC ELEKTRYCZNY DO SAUNY	87-97
RUS	ЭЛЕКТРОКАМЕНКИ	99-111



HUUM CLIFF

ELECTRIC SAUNA HEATER

Installation and operation manual

The set includes:

- electric heater;
- adjustable legs (4 pcs);
- wooden blocks for opening the ribs of the heater (2 pcs);
- installation and operation manual for the electric heater;
- HUUM CLIFF Mini kit includes a wall mounting plate.

NB! The electric heater of HUUM CLIFF requires a control panel and stones. The product should be installed as a complete set.

This installation and operation manual is intended for use by the sauna owner or maintenance person as well as the electrician responsible for the installation of the heater. Before using the heater, please read the instructions carefully.

NB! The electrical work described in this manual may only be performed by a certified electrician.

This product has been designed to meet the requirements of standard EN 60335-2-53:2011.

BEFORE INSTALLATION

Before installing the heater, please read the installation instructions and pay attention to the following:

- Check before installing the electric heater that the maximum amperage of the main fuse matches the heater parameters.
- Does the heater output (kW) match the volume (m³) of the sauna room?
In case there are any uninsulated brick, tile, glass or log walls in the sauna room, an additional calculated volume of 1,5 m³ should be added to the sauna room for each such square meter of the wall. The suitable output of the heater can be found in **Table 1**.
- Are minimal safety distances ensured at the installation site of the heater?
Minimal safety distances between the sauna room's ceiling and walls in view of installing the electric heater have been provided in **Table 1** and **Figure 1**.

NB! The manufacturer's warranty is not valid, if the output of the heater does not correspond to the calculated volume of the sauna room.

INSTALLATION

Positioning of the heater

The heater should be positioned in such a way that there is a safe distance between flammable materials and external surfaces of the heater.

- Check **Table 1** for minimal safety distances between the heater, sauna room's ceiling and walls.
- Place the heater in such a way that its location does not create dangerous situations during use and the possibility of accidental contact with the heater would be minimized.
- The input of the power cable is on the bottom cover of the heater.

Table 1.	Output kW	Room* m ³	Weight kg	A mm	B mm	H mm	Width/depth mm	Fuse A	Power cable N x mm ²
CLIFF Mini 4	3,5	3,5-6	15	60	390	975	270/160	16	3 x 2,5
CLIFF 6	6	5-10	16	60	390	975	270/270	10	5 x 2,5
CLIFF 9	9	9-15	16	240	750	975	270/270	16	5 x 2,5
CLIFF 11	10,5	10-17	17	240	750	975	270/270	16	5 x 2,5

* In case there are any uninsulated brick, tile, glass or log walls in the sauna room, an additional volume of 1,5 m³ should be added to the sauna room for each such square meter of the wall.

- Screw down the **legs** (4 pcs) included in the package. Adjust the legs of the heater so that all four are equally supported and the heater is level.
- **HUUM CLIFF 6, 9 and 11** models are attached to the floor using the included brackets. Install the bracket to the heater leg as shown in Figure 1 and fix it with a screw corresponding to the construction of your floor (recommended min. 6 x 40mm).
- Attach **HUUM CLIFF Mini 4** to the wall of the sauna room using the wall mounting plate included in the package. See **Figure 1**.

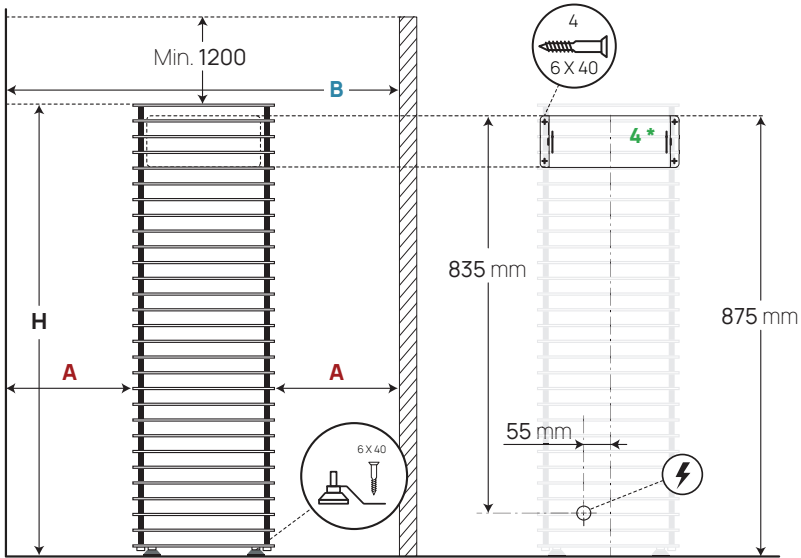


Figure 1. Positioning of the heater

Installing an electric heater inside the sauna bench

HUUM CLIFF electric heater can also be partially mounted inside the sauna bench or sauna floor.

- **At least 550 mm** of the submerged heater should protrude from the sauna bench surface;
- To cover the edges of the immersion hole use the embedding flange of **HUUM CLIFF** electric heater.

The **embedding flange of HUUM CLIFF electric heater** is an accessory that you can request from your HUUM product distributor. A user manual for the embedding flange is provided with the product.

The maximum permissible immersion of the heater has been provided in **Figure 2**.

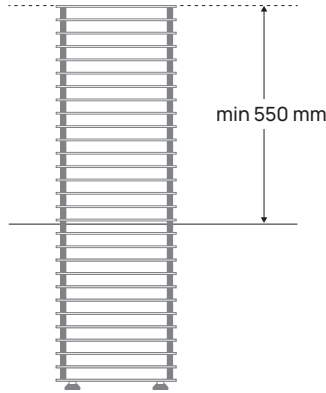


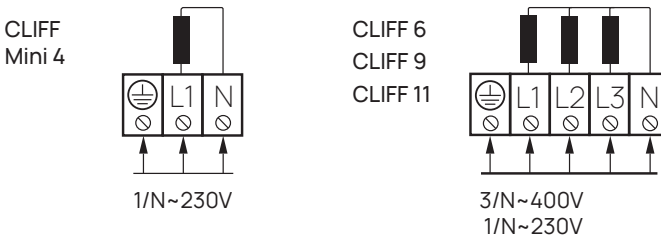
Figure 2. Installing HUUM CLIFF electric heater inside the sauna bench

Connecting the heater to the power supply

NB! Only a certified electrician is allowed to connect the heater to the power supply.

- A rubber insulated SIHF-JB cable or an equivalent cable should be used as the connection cable.
- The maximum current amperage in the cross-sectional area of the cable and circuit breaker has been provided in **Table 1**.
- It is recommended to connect the unit to the mains without an earth-leakage circuit breaker (RCD).

ATTENTION! It is forbidden to use a non-heat-resistant cable with PVC isolation as the power cable. When using the junction box in the sauna room, it should be waterproof and located at a maximum height of 50 cm from the floor.



- Open the cover of the heater's electrical box.
- Take the cable into the electrical box through the rubber bushing.
- Attach the power cable on the terminal block according to the circuit diagram.
- Close the cover.

Insulation resistance of the electric heater

During the first use of the heater the insulation resistance of the heating element might prove to be temporarily lower than the standard. The reason for that is the moisture seeped into the insulating layer during storage in the warehouse and transportation. The moisture evaporates in 1–2 hours of heating the electric heater.

Laying of the heater stones

Quantity of stones:

- **HUUM CLIFF electric heater** (models 6, 9 and 11) needs **75 kg of heater stones**
- **HUUM CLIFF Mini electric heater** needs **60 kg of heater stones**
- The stones with a **diameter of 3–5 cm** are suitable for **HUUM CLIFF** heater.
- We recommend the use of round stones which complement the design of the heater and allow the steam water in the heater to move freely to the lower layers of stones.
- Natural stones (e.g. olivine diabase, olivine), which are sold specifically for use in sauna heaters, are suitable as heater stones.
- We recommend avoiding decorative stones as they do not accumulate enough heat and break easily. Broken pieces of stone inside the heater can block air holes and damage heating elements.
NB! The defects due to the use of unsuitable stones are not covered by warranty.
- Before laying, we recommend washing the stones clean of dust under running water.

Requirements for laying stones

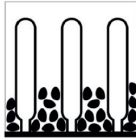
- Use gloves to protect your hands when laying stones.
- Lay the stones one by one and don't pour or throw them into the heater.
- Start with bigger stones, placing them to the bottom and to the sides. Use smaller stones to fix the larger stones in place and to fill in the narrower gaps.
- Try to lay the stones as tightly as possible, but leave some room for air to circulate in the heater.

NB! The air tunnel should not be filled with stones!

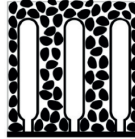
NB! Make sure that the air tunnel and the upper ends of the heaters are not visible between the stones. Otherwise, the safety distances given in Table 1 do not apply, as additional heat radiation occurs on flammable surfaces.

- Check the condition of the stones once a year to remove broken pieces and replace them, if necessary.

ATTENTION! TOO SPARSELY FILLED STONE CONTAINER CAUSES FIRE HAZARD!



1. 



2. 

1. Partially filled
2. Correctly laid stones

Opening the ribs of the heater

To simplify the installation of the stones, all the ribs of the heater can be removed by using wooden blocks (A). See **Figure 3**.

1. At the base of the heater, loosen the threaded bar nuts by 5 mm.
2. Push the wooden blocks between the ribs of the heater.
3. The rib is released from both sides.
4. Carefully remove the rib from the joint first from the right end and then from the left end.
5. In the same way, you can immediately remove the rib located below the removed rib.

NB! Pull the rib straight away from the heater without twisting or using force to avoid bending the pins!

When putting the ribs back, do everything in the reverse order.
The rib should be attached to the joint first from the left end and then from the right end.

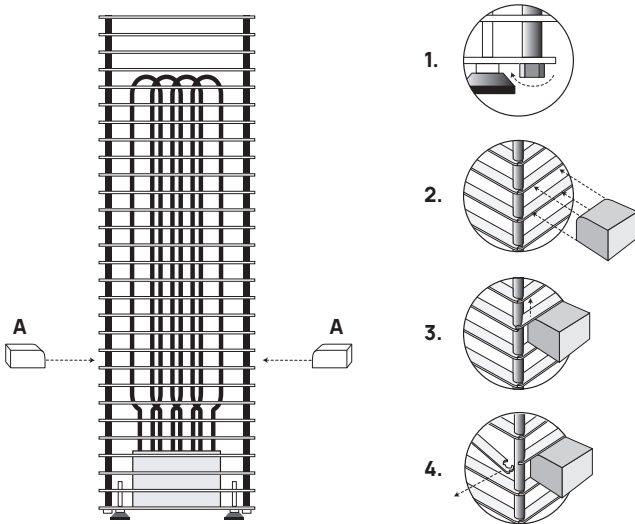


Figure 3. Opening the ribs of HUUM CLIFF electric heater

Safety railings

To prevent accidental contact with the hot heater it is recommended to install a safety railing around the heater.

- You can build your own safety railing or use the special accessory **HUUM CLIFF electric heater safety railing**, which can be obtained from your HUUM distributor.
- We recommend the use of materials with a low thermal capacity and poor thermal conductivity (e.g. wood) as the material for the safety railing.

NB! When using flammable materials (e.g. wood) as safety railings, it is essential that the prescribed minimum safety distances between the heater and flammable structures are complied with.

Controlling the heater

- This product has been designed to work with the **HUUM UKU** control system for electric heaters or an equivalent control system designed to work with devices that meet the requirements of EN 60335-2-53:2011.
- The output of the heater should remain in the interval determined by the control panel's producer.
- When installing the control panel, follow the installation and operation manual provided by the manufacturer.

SAUNA ROOM

Wall materials and insulating of the sauna room

In a sauna with electric heating, all massive heat accumulating wall surfaces (glass and concrete walls, brick, plaster, etc.) should be insulated to use the electric heater with optimal output. This prevents heat loss in the sauna room and overheating of the heater.

Sufficient insulation of the sauna room wall:

1. An insulation layer of 50-100mm thickness is installed (foam insulation boards covered with a vapour barrier foil suit well).
2. Aluminium foil or other reflective material on top of the insulation material without a vapour barrier. The joints are covered with foil tape.
3. 10mm ventilation gap (recommended) is left between the moisture barrier and the lining board with spacers.
4. 12-16 mm wooden lining board is suitable for interior finishing. Before installing the lining boards, check the power cables and reinforcements in the walls that are necessary for e.g. installation of a heater and a sauna bench.
5. To prevent moisture from the floor, the distance between the board and the floor should be at least 100 mm.
6. There is a minimum ventilation gap of 5 mm between the wall and ceiling board.
7. Wooden sauna surfaces should be coated with sauna wax or oil to prevent dirt being absorbed into the wood.

Ceiling of the sauna room

To optimize the heater's output, the recommended height of the sauna room is 2100 - 2300 mm. In case of a higher sauna room, it is advisable to lower the ceiling, thus reducing the volume of the sauna room.

1. The minimum permissible height of the sauna room for **HUUM CLIFF** electric heater is **2175 mm**.
2. The distance between the top step of the sauna bench and the ceiling should be between 1100 and 1300 mm.
3. The ceiling of the sauna room should be insulated in the same way as the walls of the room.

ATTENTION! When covering the walls or ceiling with heat protection (e.g. with mineral tiles), a sufficient ventilation gap should be left between the materials. Installing tiles directly on a wall or ceiling surface can cause dangerous overheating of wall or ceiling materials.

ATTENTION! Check with the authorities responsible for fire safety which parts of the firewall can be insulated. It is forbidden to insulate flues in use.

Darkening of the sauna room walls

Over time, the wooden materials used in the sauna room may begin to darken due to the high temperature. This is a natural process that does not pose a risk and is usually caused by the darkening of the wood protection product used. The darkening process can also be caused by the fine stone dust, breaking away from the heater stones and lifted up by the airflow. By following the manufacturer's instructions when installing the heater, flammable materials in the sauna room will not become dangerously hot.

ATTENTION! The highest allowed temperature for the wall and ceiling surfaces of the sauna room is 140 °C.

Floor of the sauna room

Due to large changes in temperature, the heater stones also crumble over time. Together with the steam water, particles released from the stones and fine stone dust are washed onto the sauna floor. Hot stone chips can damage plastic covered floors under and near the heater. The splashes of heating stones and steam water (especially for e.g. iron-rich water) can be absorbed into the light joint of the tile floor.

In order to avoid aesthetic damage, ceramic tiles and dark joint filler should be used under and around the heater.

Ventilation of the sauna

In order to ensure sufficient oxygen supply and fresh air, the sauna's ventilation should be as efficient as possible (air should exchange **six times an hour**).

The ventilation system depends on whether the building has a natural air inlet and outlet or forced ventilation.

Sauna ventilation consists of at least two, as a rule three parts:

- **Supply air pipe.** The supply air pipe diameter should be \varnothing 50-100mm.
- **Exhaust air pipe.** The diameter of the exhaust air pipe should be 2x the diameter of the supply air pipe, \varnothing 100-200mm.
- **Drying pipe.** In the absence of a drying pipe opening, the door may be left open for ventilation after using the sauna.

In case of a sauna room with mechanical ventilation, there should be:

1. **Supply air pipe** in the middle of the heater or higher (≥ 400 mm).
2. **Exhaust air pipe** in the opposite side of the heater (≤ 600 mm from the floor).
3. **Drying pipe** opening in the opposite wall of the heater under the ceiling.

In case of a gravity based ventilation sauna room, there should be:

1. **Supply air pipe** in the middle of the heater or higher (≥ 400 mm).
2. **Exhaust air pipe** in the opposite wall at least 200 mm higher than the supply air pipe (≤ 600 mm from the floor).
3. **Drying pipe opening** in the opposite wall of the heater under the ceiling.

The supply air pipe should be fitted with an adjustable valve.

If the exhaust air pipe is located in the washroom, there should be a gap of at least 100mm under the door of the sauna room.

Use **the drying pipe opening** as a final ventilation after a sauna session or in between water ladling sessions if there have been a lot of people in the room at once and there is excessive humidity or lack of air. Keep the drying pipe opening closed while having sauna.

USING INSTRUCTION

Using the heater

ATTENTION! Always check that there are no foreign objects on, above or near the heater before switching it on. This could cause a fire hazard.

In order to use the heater, you will need to install a heater control system. The control system is not included in the set. Be sure to read the instruction manual of the control device of your choice before use.

Heating up the sauna room

When the heater is first switched on odours will emit from both the heating elements and the stones. In order to remove these odours, the sauna room should be thoroughly ventilated. In a properly insulated sauna room and with a heater of the right capacity, it will take around **one hour** to reach the desired temperature. The stones are usually heated to the correct water lading temperature simultaneously with the sauna room.

Throwing water on heated stones

As the sauna room heats up, the air in the sauna becomes dry. You can raise the humidity in the sauna room by ladling water onto hot stones. By choosing the frequency and amount of water you ladle, you can adjust the humidity and the perceived heat of the sauna to your personal preference.

- Try to throw water only on the heater stones and not on metal surfaces.
- Start water ladling only when the stones are fully heated and the water evaporates completely.
- Use only clean and warm water for ladling.
- We recommend that you ladle about 80 ml of water on the stones at a time. If you want more steam, wait for a few minutes and then ladle the same amount again. This will allow the stones to dry out and heat up again in the meantime.

NB! Never ladle water when someone is in the immediate vicinity of the heater as hot steam can cause burns.

WARNINGS AND NOTES

- **The heater is designed to heat the sauna room to the temperature at which the sauna is enjoyed. It may not be used for any other purpose.**
- **All maintenance work requiring special skills should be carried out by a trained professional.**
- **Always disconnect the heater from the power source before carrying out any maintenance!**
- Before turning on the electric heater, always check the sauna room and heater.
- The heater may be used only when it has been correctly filled with stones.
- Do not cover the heater—this causes fire hazard.
- Do not touch a working heater, it causes burns.
- Ventilating the sauna room incorrectly may dry the wood too much and cause a fire hazard in the sauna. If necessary, seek professional advice when planning ventilation.
- Never make steam by using a water hose.
- Use sauna fragrances and oils only in the steam water. If poured directly onto the stones in undiluted form they can catch fire.
- A layer of fireproof thermal insulation of at least 50 mm is recommended under the board of the sauna room.
- In case of uninsulated saunas, e.g. various ready-made barrel and outdoor saunas, the calculated volume of the sauna room should be multiplied by 1.5 to determine the suitable heater output.
- Sauna doors should always open outward.
- Do not use the sauna for any other purpose than it is meant to be used.
- Do not leave small children in the sauna unattended.
- Sudden cooling after staying in the sauna room is not recommended for people with poor health. If necessary, consult a doctor.
- Do not stay in the sauna for too long. Enjoy the steam as long as it is comfortable for you.
- Keep this information in a secure place.

WARRANTY

General:

- The purchaser is obliged to review the user manual of the product and follow the requirements stated therein.
- The warranty does not extend to failures due to non-compliance with the rules of use provided for in the manual.
- The warranty is valid, if the product has a technical defect or fault caused by the manufacturer.
- The warranty covers the replacement of the product or of parts with manufacturing defects.
- The warranty period is 5 years from the date of purchase.

NB! The warranty is based on the presentation of the purchase receipt/invoice. The right to submit a claim is valid on the condition that the product has been used only for the intended purpose and conditions.

Warranty terms:

- **NB! The warranty does not extend to heating elements of the electric heaters, these are considered expendable parts.**
- The warranty does not cover the defects caused by normal wear and tear of the product.
- The warranty does not apply to heater stones.

Warranty does not cover the defects which are caused by:

- Transport and other accidental damage to the product;
- Careless or improper storage and use of the product and overloading;
- Failure to comply with the instructions for installation and operation of the product and safety requirements.

Warranty does not apply:

- If the product has been repaired by an unauthorised person, if non-approved parts have been added to the product, or if consumables not accepted by the manufacturer have been used (e.g. heating elements);
- If the set of product is not complete.

Find the most up-to-date content from our website: huum.eu

HUUM CLIFF

ELEKTRIKERIS

Paigaldus- ja kasutusjuhend

Tarnekomplekti kuulub:

- elektrikeris;
- reguleeritavad jalad (4tk);
- puidust klotsid kerise ribide avamiseks (2tk);
- elektrikerise paigaldus- ja kasutusjuhend;
- HUUM CLIFF Mini komplekti kuulub seinakinnitusplaat.

NB! HUUM CLIFF elektrikeris vajab lisaks juhtsüsteemi ja kerisekive. Toode peab olema paigaldatud komplekselt.

Käesolev paigaldus- ja kasutusjuhend on mõeldud sauna omanikule või hooldajale, samuti kerise paigaldamise eest vastutavale elektrikule. Enne kerise kasutamist tutvuge hoolikalt kasutusjuhistega.

NB! Käesolevas juhendis kirjeldatud elektritöid tohib teostada vaid sertifitseeritud elektrik.

See toode on projekteeritud vastavalt standardi EN 60335-2-53:2011 nõuetele.

ENNE PAIGALDAMIST

Enne kerise paigaldamist tutvu paigaldusjuhistega ja pööra tähelepanu alljärgnevale:

- Kontrolli enne elektrikerise paigaldamist, kas peakaitsme maksimaalne voolutugevus on vastavuses kerise parameetritega.
- Kas kerise võimsus (kW) on vastavuses leiliruumi arvutusliku ruumalaga (m³)? Kui leiliruumis on soojustamata tellistest, plaatidest, klaasist või palkidest seinu, tuleb leiliruumi ruumalale liita 1,5 m³ iga sellise seina ruutmeetri kohta. Kerise sobilikku võimsuse leiad **Tabelist 1**.
- Kas kerise paigalduskohal on tagatud minimaalsed ohutuskaugused? Leiliruumi lae ja seinte minimaalsed ohutuskaugused elektrikerise paigutamisel on toodud **Tabelis 1** ja **Joonisel 1**.

NB! Tootja garantii ei kehti, kui kerise võimsus ei ole leiliruumi arvutusliku ruumalaga vastavuses!

PAIGALDAMINE

Kerise paigutamine

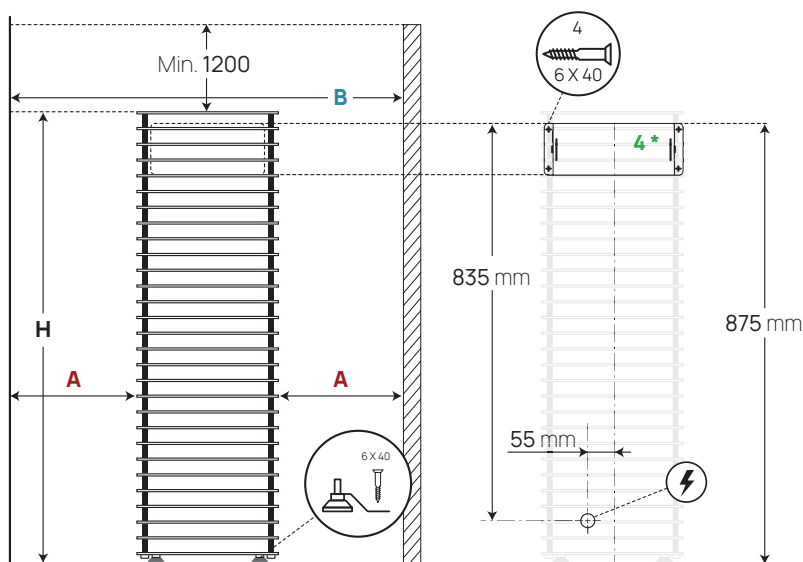
Keris tuleb paigutada nii, et oleks tagatud ohutud vahekaugused süttivate materjalide ja kerise välispindade vahel.

- Kontrolli **Tabelist 1** minimaalseid ohutuskauguseid kerise ning leiliruumi lae ja seinte vahel.
- Paigalda keris selliselt, et selle asukoht ei tekitaks kasutamise ajal ohtlikke olukordi ning võimalus kogemata kerise vastu puutuda oleks võimalikult väike.
- Toitekaabli sisend asub kerise põhjakaanel.

Tabel 1.	Võimsus kW	Ruum* m ³	Kaal kg	A mm	B mm	H mm	Laius/Sügavus mm	Kaitse A	Toite- kaabel N x mm ²
CLIFF Mini 4	3,5	3,5-6	15	60	390	975	270/160	16	3 x 2,5
CLIFF 6	6	5-10	16	60	390	975	270/270	10	5 x 2,5
CLIFF 9	9	9-15	16	240	750	975	270/270	16	5 x 2,5
CLIFF 11	10,5	10-17	17	240	750	975	270/270	16	5 x 2,5

* Kui leiliruumis on soojustamata tellistest, plaatidest, klaasist või palkidest seinu, tuleb leiliruumi ruumalale liita 1,5 m³ iga sellise seina ruutmeetri kohta.

- Keera kerisele alla pakendis kaasas olevad **jalad** (4 tk). Reguleeri kerise jalad selliselt, et kõik neli toetaksid võrdselt ning keris oleks loodis.
- **HUUM CLIFF 6, 9 ja 11** mudelid kinnituvad pöranda külge kaasas olevate kronsteinide abil. Paigalda kronstein kerise jala külge **Joonisel 1** näidatud viisil ja fikseeri oma pöranda ehitusele vastava kruviga (soovitatavalt min 6 x 40mm).
- **HUUM CLIFF Mini 4** kinnita saunaruumi seina külge pakendis leiduva seinakinnitusplaadi abil. Vt **Joonis 1**.



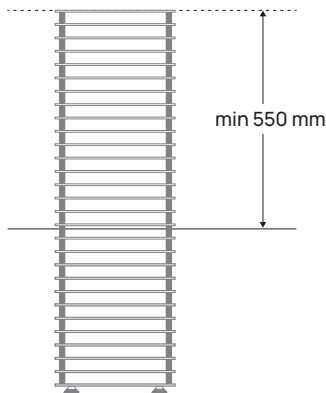
Joonis 1. Kerise paigaldamine

Elektrikerise paigaldamine saunalava sisse

HUUM CLIFF elektrikerise võib paigaldada osaliselt saunalava või sauna pöranda sisse.

- uputatud keris peab ulatuma lava pinnast välja **min 550 mm**
- uputusava lõikeservade katmiseks kasuta **HUUM CLIFF** elektrikerise uputuskraed

HUUM CLIFF elektrikerise uputuskrae on lisatoode, mida saad küsida enda HUUM toodete edasimüüjalt. Uputuskrae kasutusjuhend on tootega kaasas. Kerise uputamise maksimaalne lubatud ulatus on ära toodud **Joonisel 2**.



Joonis 2. HUUM CLIFF elektrikerise saunalavasse paigaldamine

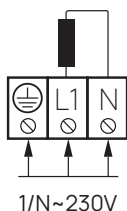
Elektrivõrguga ühendamine

NB! Kerise tohib elektrivõrku ühendada ainult sertifitseeritud elektrik.

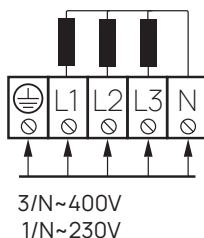
- Ühenduskaablina tuleb kasutada kummiisolatsiooniga SIHF-JB kaablit või sellele võrdväärset.
- Kaabli ristlõikepindala ja kaitsme maksimaalne voolutugevus on toodud **Tabelis 1**.
- Soovitav on seade ühendada vooluvõrku ilma rikkevoolu kaitsmelülitita (RCD).

TÄHELEPANU! Kerise toitekaablina on keelatud kasutada kuumust mittetaluvat PVC-isolatsiooniga kaablit. Harutoosi kasutamisel leiliruumis peab see olema veekindel ja paiknema põrandast max 50 cm kõrgusel.

CLIFF
Mini 4



CLIFF 6
CLIFF 9
CLIFF 11



- Ava kerise elektrikarbi kaas.
- Too kaabel elektrikarpi läbi kummist läbiviigu.
- Ühenda toitekaabel vastavalt elektriskeemile klemmliistule.
- Sulge kaas.
- Fikseeri kaabel väljaviigule kaablivitsaga.

Elektrikerise isolatsioonitakistus

Esmakordsel kerise kasutamisel võib küttekeha isolatsioonitakistus mõotmisel ajutiselt osutada normist väiksemaks. Selle põhjuseks on kerise laos hoidmise ja transportimise ajal isolatsioonikihi sisse imunud niiskus. Niiskus aurustub elektrikerise 1-2 tunnise kuumutamise jooksul.

Kerisekivide ladumine

Kerisekivide kogus:

- **HUUM CLIFF 6, 9 ja 11** elektrikeris vajab **75 kg kerisekive**.
- **HUUM CLIFF Mini 4** elektrikeris vajab **60 kg kerisekive**.
- **HUUM CLIFF** kerisele sobivad kivid **läbimõõduga 3-5 cm**.
- Soovitame kasutada ümaraid kive, mis täiendavad kerise disaini ja lasevad leiliveel kerises segamatult alumiste kivikihtideni liikuda.
- Kerisekivideks sobivad looduslikud kivid (nt oliviindiabaas, oliviin), mida müüakse spetsiaalselt keristes kasutamiseks.
- Me soovitame vältida dekoratiivkive, kuna need ei akumuleeri piisavalt soojust ning purunevad kergesti. Murenenud kivitükid võivad kerise sees ummistada õhuavad ja kahjustada kütteelemente.
- **NB! Kerisesse mittesobivate kivide kasutamisest tingitud vead ei kuulu garantii alla.**
- Enne ladumist soovitame kivid voolava vee all tolmust puhtaks pesta.

Nõuded kivide ladumisel:

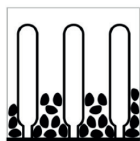
- Kasuta kivide ladumisel käte kaitsmiseks kindaid.
- Lao kive ükshaaval, ära vala ega viska neid kerise sisse.
- Alusta suurematest kividest asetades need põhja ja külgedele. Väiksemate kividega saad suured kivid paigale fikseerida ja täita kitsamad vahed.
- Püüa kivid laduda võimalikult tihedalt, kuid nii, et kerises jääks veidi ruumi õhu liikumiseks.

NB! Õhutunnelit ei tohi kividega täita!

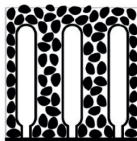
NB! Jälgi, et õhutunnel ja küttekehade ülemised otsad ei oleks kivide vahelt näha. Vastasel juhul ei kehti Tabelis 1 toodud ohutuskaugused, kuna tekib täiendav kuumuskiirgus sütevivatele pindadele.

- Kontrolli kerisekivide seisukorda kord aastas, eemalda murenenud kivitükid ning vajadusel vaheta kivid välja.

TÄHELEPANU! LIIGA HÖREDALT TÄIDETUD KIVIRUUM TEKITAB TULEOHTU!



1. ❌



2. ✅

1. Poolikult täidetud
2. Korrektselt laotud kivid

Kerise ribide avamine

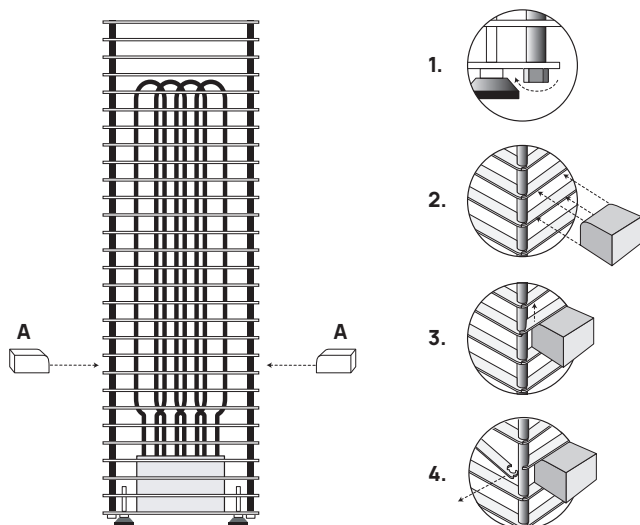
Kivide paigaldamise lihtsustamiseks on kõik kerise ribad eemaldatavad puidust klotside (A) abil. Vaata **Joonis 3**.

1. Vabasta kerise põhjas keermelati mutrid 5 mm võrra.
2. Lükka puidust klotsid kerise ribide vahele.
3. Ribid vabastatakse mõlemast küljest.
4. Eemalda ribi ettevaatlikult ühenduskohast esmalt parempoolsest ja seejärel vasakpoolsest otsast.
5. Samal viisil saad kohe eemaldada ka ära võetud ribi all paikneva ribi.

NB! Tõmba ribi ilma keeramata ja jõudu kasutamata otse kerisest eemale, et vältida tappide painutamist!

Ribide tagasipanekul tee kõike vastupidises järjekorras.

Ribi tuleb kinnitada ühenduskohta esmalt vasakust otsast ja seejärel paremast otsast.



Joonis 3. HUUM CLIFF elektrikerise ribide avamine

Kaitsepiirded

Et vähendada kuuma kerise vastu puutumise ohtu, on soovituslik kerise ümber paigaldada kaitsepiire.

- Kaitsepiirde võid ehitada ise või kasutada spetsiaalset lisatoodet **HUUM CLIFF elektrikerise kaitsepiire**, mida saad küsida HUUM toodete edasimüüjalt.
- Kaitsepiirde materjalina soovitame kasutada väikese soojusmahutavuse ja halva soojusjuhtivusega materjale (nt puit).

NB! Süttivate materjalide (nt puit) kasutamisel kaitsepiirdena, tuleb kindlasti järgida ettenähtud minimaalseid ohutuskaugusi kerise ja süttivate konstruktsioonide vahel.

Kerise juhtimine

- See toode on mõeldud kasutamiseks **HUUM UKU** elektrikeriste juhtimis-süsteemiga või samaväärse juhtimissüsteemiga, mis on ette nähtud töötama standardi EN 60335-2-53:2011 nõuetele vastavate seadmetega.
- Kerise võimsus peab jääma juhtimisseadme tootja poolt määratud töövõimsuse vahemikku.
- Juhtseadme paigaldamisel lähtu seadme tootja koostatud paigaldus- ja asutusjuhendist.

LEILIRUUM

Leiliruumi soojustamine ja seinamaterjalid

Optimaalse võimsusega kerise kasutamiseks elektriküttega saunas on oluline kõik suured soojust akumuleerivad seinapinnad (nt klaas- ja betoonseinad, tellis, krohv jmt) piisavalt soojustada. See aitab vältida saunaruumi soojakadu ning kerise ülekütmist.

Leiliruumi seinu piisav isoleerimine:

1. Paigaldatud on soojustusmaterjali kiht paksusega 50-100mm (hästi sobivad vahtsoojusplaadid, mida katab aurutõkke foolium).
2. Aurutõkkekihita soojustusmaterjali peal on alumiiniumpaber või muu peegeldav materjal. Liitekohad on kaetud fooliumteibiga.
3. Niiskustõkke ja voodrilaua vahele on distantsliistudega jäetud 10mm õhuvahe (soovitav).
4. Siseviimistluseks sobivad nt 12-16 mm puidust voodrilaud. Kontrolli enne voodrilaudade paigaldamist elektrikaableid ning tugevdusi seinades, mis on vajalikud nt kerise ja saunalava paigaldamiseks.
5. Põrandalt tuleva niiskuse vältimiseks võiks laudise distants põrandast olla vähemalt 100 mm.
6. Sein- ja laelaudise vahel on tuulutusvahe min 5 mm.
7. Sauna puitpinnad tuleks katta saunavaha või -õliga, et mustus puitu ei imenduks.

Leiliruumi lagi

Kerise võimsuse optimeerimiseks on leiliruumi soovituslik kõrgus 2100 mm – 2300 mm. Kõrgema saunaruumi puhul on otstarbekas tuua lage allapoole, vähendades sellega leiliruumi kubatuuri.

1. Leiliruumi minimaalne lubatud kõrgus **HUUM CLIFF** elektrikerise puhul on **2175 mm**.
2. Saunalava viimase astme ja lae vahele võiks jääda 1100 - 1300 mm.
3. Leiliruumi lagi soojusta analoogselt ruumi seintele.

TÄHELEPANU! Seinte või lae katmisel kuumakaitsega (nt mineraalplaatidega), tuleb jätta materjalide vahele piisav tuulutusvahe. Plaatide paigaldamine vahetult seinu või lae pinna külge võib põhjustada seinu- või laematerjalide ohtliku ülekuumenemise.

TÄHELEPANU! Uuri tuleohutuse eest vastutavatelt ametivõimudelt, milliseid tulemüüri osasid võib isoleerida. Kasutuses olevate lõõride isoleerimine on keelatud!

Leiliruumi seinte tumenemine

Aja jooksul võivad leiliruumis kasutatud puitmaterjalid hakata kõrge temperatuuri mõjul tumenema. See on loomulik protsess, mis ei kujuta endast ohtu ja on enamasti tingitud kasutatud puidukaitsevahendi tumenemisest. Samuti võib tumenemist põhjustada kerisekividest murenev ja õhuvooluga üles tõusev peen kivitolm.

Järgides kerise paigaldamisel tootjapoolseid juhendeid, leiliruumi süttivad materjalid ohtlikult kuumaks ei muutu.

TÄHELEPANU! Leiliruumi seina- ja laepindade kõrgeim lubatud temperatuur on 140 °C.

Leiliruumi põrand

Temperatuuri suurtest muutustest tingituna murenevad ajapikku ka kerisekivid. Koos leiliveega uhitakse kividest eralduvad osakesed ja peen kivitolm sauna põrandale. Kuumad kivitükikesed võivad kerise all ja läheduses kahjustada plastkattega põrandaid. Kerisekivide ja leilivee pritsmed (eriti nt rauarikka vee puhul) võivad imenduda plaatpõranda heledasse vuuki.

Esteetiliste kahjustuste ärahoidmiseks on praktiline kerise all ja ümbruses kasutada keraamilisi plaate ja tumedat vuugitaidet.

Sauna ventilatsioon

Küllaldase hapnikuvarustuse ja värske õhu tagamiseks peab sauna ventilatsioon olema võimalikult tõhus (õhk peaks vahetuma **kuus korda tunnis**).

Ventilatsioonilahendus sõltub sellest, kas hoones toimib loomulik õhu sisse- ja väljavool või on ruumides sundventilatsioon.

Sauna ventilatsioon koosneb minimaalselt kahest, reeglina kolmest osast:

- **Sissepuhe.** Sissepuhketoru läbimõõt peaks olema \varnothing 50-100mm.
- **Väljatõmme.** Väljatõmbetoru läbimõõt peaks olema sissepuhkest 2x suurem, \varnothing 100-200 mm.
- **Tuulutus.** Tuulutusava puudumisel võib peale saunaskäiku jätta tuulutamiseks ukse lahti.

Sundventilatsiooniga saunaruumi puhul peaks asuma:

1. **Sissepuhe** kerise keskosas või kõrgemal (≥ 400 mm).
2. **Väljatõmme** kerise vastasseinas (≤ 600 mm põrandast).
3. **Tuulutusava** kerise vastasseinas lae all.

Isevoolse ventilatsiooniga saunaruumi puhul peaks asuma:

1. **Sissepuhe** kerise keskosas või kõrgemal (≥ 400 mm)
2. **Väljatõmme** vastasseinas vähemalt 200 mm kõrgemal kui sissepuhe (≤ 600 mm põrandast)
3. **Tuulutusava** kerise vastasseinas lae all.

Sissepukseava tuleb varustada reguleeritava klapiaga.

Väljatõmbeava asumisel pesuruumis, peab saunaruumi ukse all olema vähemalt 100mm vahe.

Tuulutusava kasuta lõpptuulutuseks peale saunas käiku või leilikordade vahepeal kui ruumis on olnud korraka palju inimesi ning tekib liigne niiskus või õhupuudus. Saunatamise ajal hoia tuulutusava suletuna.

KASUTAMINE

Kerise kasutamine

TÄHELEPANU! Enne kerise sisselülitamist kontrolli alati, et selle peal, kohal ega läheduses ei oleks ühtegi kõrvalist eset. See võib põhjustada tuleohtu.

Kerise kasutamiseks on sul vaja paigaldada kerise juhtsüsteem. Juhtsüsteem ei kuulu kerise komplekti. Enne kasutamist tutvu kindlasti valitud juhtseadme kasutusjuhendiga.

Leiliruumi soojenemine

Kui keris esmakordselt sisse lülitatakse, eraldub nii küttekehadest kui kividest lõhna, mille eemaldamiseks tuleb leiliruumi tugevasti ventileerida. Korrektselt isoleeritud saunaruumi ja ruumi jaoks sobiliku võimsusega kerise puhul võtab sobiva temperatuurini jõudmine aega umbes **ühe tunni**. Kivid kuumenevad paraja leiliviskamise temperatuurini reeglina samaaegselt leiliruumiga.

Leiliviskamine

Ruumi kuumenedes muutub õhk saunas kuivaks. Leiliruumi õhuniiskust saab tõsta kuumadele kividele vett visates. Valides endale sobiva leili viskamise sageduse ja vee koguse, saad reguleerida sauna õhuniiskuse ja tajutava kuumuse just selliseks, nagu sulle sobib.

- Püüa vett visata ainult kerisekividele ja mitte metallpindadele.
- Alusta leiliviskamist alles siis, kui kivid on korralikult kuumad ja vesi aurustub neilt täielikult.
- Kasuta leiliviskamiseks ainult puhast ja sooja vett.
- Soovitame kividele visata korraga umbes 80 ml vett. Kui soovid rohkem leili, oota paar minutit ja viska alles seejärel uuesti sama kogus. See võimaldab kivil vahepeal kuivada ja uuesti kuumeneda.

NB! Ära kunagi viska leili, kui keegi viibib kerise vahetus läheduses, sest kuum aur võib põhjustada põletust.

HOIATUSED JA MÄRKUSED

- Keris on mõeldud leiliruumi kütmiseks leili võtmise temperatuurini. Seda ei tohi kasutada ühelgi muul otstarbel.
- Kõik hooldustööd, mis nõuavad erioskusi, peab läbi viima koolitatud spetsialist.
- Enne hooldustööde läbiviimist tuleb seade alati vooluvõrgust lahti ühendada!
- Enne elektrikerise sisselülitamist kontrolli alati leiliruumi ja kerist.
- Kerist võib kasutada vaid korrektselt kividega täidetuna.
- Ära kata kerist - see tekitab tuleohtu.
- Ära puuduta köetud kerist, see põhjustab põletust.
- Leiliruumi vale ventileerimine võib põhjustada puidu liigset kuivamist ja luua saunas tuleohtu. Vajadusel küsi ventilatsiooni planeerimisel nõu asjatundjalt.
- Ära kasuta leili tekitamiseks veevooliku abi.
- Sauna lõhnaaineid ja -õlisid kasuta ainult leilivees. Lahjendamata kujul otse kividele valades võivad need süttida.
- Leiliruumi laudise all on soovituslik vähemalt 50 mm tulekindla soojusisolatsiooni kiht.
- Soojustamata saunade, nt erinevad valmis kujul müüdavad tünni- ja õuesaunad, puhul tuleb sobiva kerise võimsuse selgitamiseks arvutusliku leiliruumi maht korrutada 1,5-ga.
- Sauna ukсед peavad alati avanema väljapoole.
- Ära kasuta sauna muuks otstarbeks kui saunatamine.
- Ära jäta väikelapsi sauna järelevalveta.
- Nõrga tervise korral ei ole soovituslik järsk jahutamine peale leili. Vajadusel konsulteerige arstiga.
- Ära viibi saunas liiga kaua, naudi leili täpselt nii kaua, kuni see on sulle mugav.
- Hoia seda teavet kindlas kohas.

GARANTII

Üldsätted:

- Ostja on kohustatud tutvuma toote kasutusjuhendiga ja järgima kasutusjuhendis esitatud nõudeid.
- Garantii ei laiene tõrgetele, mis on tingitud juhendis toodud kasutusreeglite mittejärgimisest.
- Garantii kehtib juhul, kui tootel esineb tehnilist laadi praak või viga, mis on tekkinud tootja süül.
- Garantii sisaldab toote või tootmisdefektidega osade väljavahetamist.
- Garantii perioodi pikkus on 5 aastat alates toote ostmise kuupäevast.

NB! Garantii aluseks on ostutšeki/arve esitamine. Nõude esitamise õigus kehtib eeldusel, et toodet on kasutatud üksnes selleks ettenähtud otstarbel ja tingimustel.

Garantii tingimused:

- **NB! Garantii ei laiene elektrikeriste küttekehadele, neid loetakse kuluosadeks.**
- Garantii ei puuduta toote normaalsest kulumisest tekkinud vigu.
- Garantii ei kehti kerisekividele.

Garantii ei hõlma rikkeid, mis on põhjustatud:

- Toote transpordist ja muudest juhuslikest kahjustustest;
- Toote hoolimatust või mittesihipärasest hoidmisest ja kasutamisest ning ülekoormamisest.
- Toote paigaldus- ja kasutusjuhenditest ning ohutusnõuetest mitte-kinnipidamisest.

Garantii ei kehti:

- Kui toodet on remontinud selleks volitamata isik, tootele on lisatud sinna mittekuuluvaid detaile või kasutatud tootja poolt mitteaktsepteeritud kulumaterjale (nt küttekehad).
- Toote kompleksus ei ole täielik.

Leia kõige ajakohasem materjal meie kodulehelt: huum.ee

HUUM CLIFF

ELEKTRISCHER SAUNAOFEN

Montage- und Bedienungsanleitung

Zum Liefersatz gehören:

- Elektrischer Saunaofen;
- Verstellbare Beine (4 Stück);
- Holzklötze zum Öffnen der Lamellen des Saunaofens (2 Stück)
- Montage- und Bedienungsanleitung vom elektrischen Saunaofen;
- Zum Produktsatz vom HUUM CLIFF Mini gehört auch eine Wandmontageplatte.

WICHTIG! Darüber hinaus benötigt der elektrische HUUM CLIFF Saunaofen auch noch ein Steuerungssystem und Hitzesteine. Das Produkt muss als kompletter Satz installiert werden.

Diese Montage- und Bedienungsanleitung ist für den Besitzer oder das Servicepersonal der Sauna sowie für die Elektrofachkraft, die für die Installation des Saunaofens verantwortlich ist, gedacht. Lesen Sie vor der Verwendung des Heizgeräts die Gebrauchsanweisung sorgfältig durch.

WICHTIG! Die in dieser Anleitung beschriebenen Elektroarbeiten dürfen nur von einer zugelassenen Elektrofachkraft durchgeführt werden.

Dieses Produkt entspricht den Anforderungen des Standards IEC 60335-2-53:2011.

VOR DER MONTAGE

Vor dem Einbau des Saunaofens die Montageanleitung durchlesen und Folgendes beachten:

- Prüfen Sie vor dem Einbau des elektrischen Saunaofens, dass der maximale Strom der Hauptsicherung mit den Parametern des Erhitzers übereinstimmt.
- Überprüfen Sie, ob die Leistung des Saunaofens (kW) dem rechnerischen Volumen (m³) der Schwitzstube entspricht? Falls es in der Schwitzstube aus nicht isolierten Ziegelsteinen, Platten, Glas oder Balken gebaute Wände gibt, müssen zu dem Volumen der Schwitzstube weitere 1,5 m³ pro jedes Quadratmeter einer solchen Wand hinzugefügt werden. Die passende Leistung des Saunaofens finden sie in der **Tabelle 1**.
- Überprüfen Sie, ob an der Einbaustelle des Saunaofens die minimalen Sicherheitsabstände eingehalten worden sind? Die minimalen Sicherheitsabstände der Decke der Schwitzstube und der Wände finden sie in der **Tabelle 1** und in der **Abbildung 1**.

WICHTIG! Die Herstellergarantie gilt nicht, wenn die Leistung des Saunaofens nicht dem berechneten Volumen der Schwitzstube entspricht!

MONTAGE

Platzierung des Saunaofens

Der Saunaofen muss auf so eine Art und Weise platziert werden, dass die Sicherheitsabstände zwischen den brennbaren Materialien und den Außenflächen des Saunaofens eingehalten werden können.

- Überprüfen Sie in der **Tabelle 1** angeführten minimalen Sicherheitsabstände zwischen dem Saunaofen und der Decke und der Wände der Schwitzstube.
- Bauen Sie den Saunaofen so ein, dass sein Standort keine gefährlichen Situationen während des Gebrauchs verursacht und dass die Möglichkeit, das Heizgerät versehentlich zu berühren, so gering wie möglich wäre.
- Der Eingang vom Stromkabel befindet sich auf dem Bodendeckel.

Tabelle 1.	Leistung kW	Raum- volumen* m ³	Gewicht kg	A mm	B mm	H mm	Breite/ Tiefe mm	Sche- rung A	Strom- kabel N x mm ²
CLIFF Mini 4	3,5	3,5-6	15	60	390	975	270/160	16	3 x 2,5
CLIFF 6	6	5-10	16	60	390	975	270/270	10	5 x 2,5
CLIFF 9	9	9-15	16	240	750	975	270/270	16	5 x 2,5
CLIFF 11	10,5	10-17	17	240	750	975	270/270	16	5 x 2,5

* Sollte es in der Schwitzstube aus nicht isolierten Ziegelsteinen, Platten, Glas oder Balken gebaute Wände geben, müssen zu dem Volumen der Schwitzstube weitere 1,5 m³ pro jedes Quadratmeter einer solchen Wand hinzugefügt werden.

- Schrauben Sie die in der Verpackung mitgelieferten **Beine** (4 Stück) unter den Saunaofen. Stellen Sie die Beine so ein, dass alle vier den Ofen gleichmäßig unterstützen, damit der Saunaofen waagrecht wäre.
- **Die Modelle HUUM CLIFF 6, 9 und 11** werden mit den mitgelieferten Halterungen am Boden befestigt. Montieren Sie die Halterung wie in der Abbildung 1 gezeigt am Fuß des Saunaofens und befestigen Sie sie es mit einer für Ihren Fußboden entsprechenden Schraube (zu empfehlen mindestens 6 x 40 mm).
- **Der HUUM CLIFF Mini 4** Saunaofen ist an die Wand des Saunaraumes mit Hilfe der in der Verpackung mitgelieferten Wandmontageplatte befestigt. Siehe **Abbildung 1**.

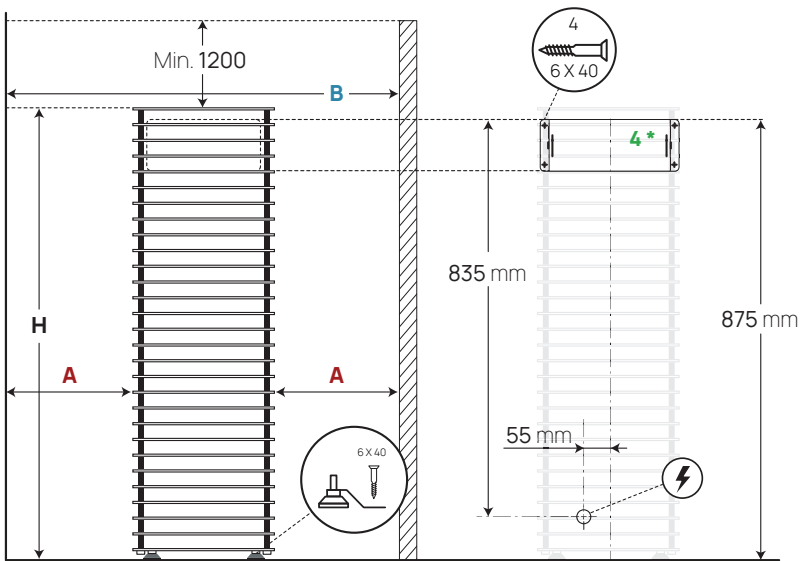


Abbildung 1. Einbau des Saunaofens

Montage des Saunaofens in die Schwitzbank

Der **HUUM CLIFF Saunaofen** kann teilweise auch innerhalb der Schwitzbank oder in den Fußboden der Sauna montiert werden.

- Der eingebaute Saunaofen muss **mindestens 550 mm** über die Fläche der Schwitzbank hinausragen
- Für die Überdeckung der Schnittkanten der Einbauöffnung ist der Tauchflansch des HUUM CLIFF Heizofens zu benutzen

Beim HUUM CLIFF Tauchflansch des elektrischen Heizofens handelt es sich um ein zusätzliches Produkt, das beim Händler der HUUM-Produkte bestellt werden kann. Zum Flansch gehört auch die entsprechende Bedienungsanleitung.

Der maximale Tauchumfang des Saunaofens ist auf der **Abbildung 2** dargestellt

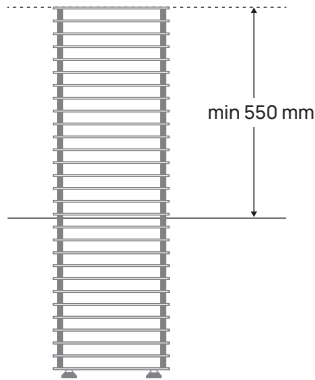


Abbildung 2. Einbau vom elektrischen HUUM CLIFF Saunaofen in die Schwitzbank

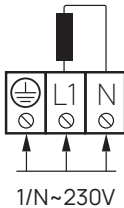
Anschließen ans Stromnetz

WICHTIG! Der Saunaofen darf ans Stromnetz ausschließlich vom zertifizierten Elektriker angeschlossen werden.

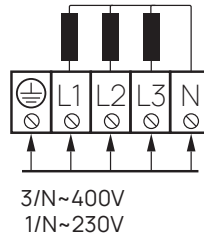
- Als Kabel fürs Anschließen ans Stromnetz darf gummiisoliertes SIHF-JB-Kabel oder ein sonstiges gleichwertiges Kabel benutzt werden.
- Die Querschnittsfläche des Kabels und die maximale Stromstärke der Sicherung sind in **Tabelle 1** zu finden
- Es wird empfohlen, das Gerät ans Stromnetz ohne Fehlerstrom-Sicherungsschalter anzuschließen (RCD).

WICHTIG! Es ist verboten, als Stromkabel nicht hitzebeständige PVC-isolierte Kabel zu benutzen. Bei Verwendung einer Abzweigdose in einem Dampfbad muss diese wasserdicht sein und sich in einer Höhe von nicht mehr als 50 cm über dem Boden befinden.

CLIFF
Mini 4



CLIFF 6
CLIFF 9
CLIFF 11



- Öffnen Sie den Deckel der Schalttafel des Saunaofens.
- Führen Sie das Kabel in die Schalttafel durch die Gummitülle.
- Die Stromkabel gemäß elektrischem Schema an die Klemmleiste anschließen
- Den Deckel schließen.
- Das Kabel an der Herausführung mit Kabelbinder fixieren

Isolationswiderstand des elektrischen Saunaofens

Bei Erstbenutzung des Saunaofens kann der Isolationswiderstand vom Kabel sich als unter der Norm liegend erweisen. Dies ist darauf zurückzuführen, dass während der Lagerung und des Transports des Saunaofens Feuchtigkeit in die Isolierschicht eindringt. Beim Erhitzen des elektrischen Saunaofens verdunstet die Feuchtigkeit innerhalb von während 1-2 Stunden.

Verlegung der Hitzesteine

Anzahl der Hitzesteine:

- **Für den elektrischen HUUM CLIFF Saunaofen** (Modelle 6, 9, 11) werden **75 kg Hitzesteine benötigt**
- **Für den elektrischen HUUM CLIFF Mini Saunaofen** werden **60 kg Hitzesteine benötigt**
- Für die Benutzung beim HUUM CLIFF Saunaofen eignen sich Steine mit einem **Durchmesser von 3-5 cm.**
- Wir empfehlen, runde Steine zu benutzen, die das Design des Saunaofens positiv ergänzen und eine ungestörte Bewegung des Dampfwassers zu den unteren Steinschichten im Ofen ermöglichen.
- Als Hitzesteine können Natursteine (wie z.B. Olivindiabas, Olivin) angewendet werden, die speziell für ihre Benutzung bei Saunaöfen verkauft werden.
- Die Benutzung von Dekorativsteinen ist nicht zu empfehlen, weil sie nicht genügend Wärme akkumulieren können und auch leicht zerbrechen. Zerbrochene Steinstücke können die Luftlöcher im Inneren des Saunaofens verstopfen und zu Beschädigungen des Ofens führen.
WICHTIG! Für Mängel, die durch die Verwendung ungeeigneter Steine im Heizgerät entstanden sind, gibt es keine Garantie.
- Es ist zu empfehlen, die Steine vor ihrer Verlegung unter fließendem Wasser vom Staub sauber zu waschen.

Anforderungen an die Verlegung der Steine:

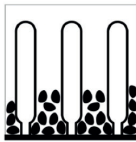
- Um Ihre Hände zu schützen bei der Verlegung der Steine Handschuhe benutzen.
- Verlegen Sie die Steine einzeln, schütten oder werfen Sie die nicht rein in den Saunaofen.

- Fangen Sie an mit größeren Steinen und legen Sie diese auf den Boden und auf die Seiten. Mit kleineren Steinen können die großen Steine fixiert und die engeren Zwischenräume gefüllt werden.
- Versuchen Sie, die Steine möglichst dicht nebeneinander zu verlegen, aber doch so, dass im Saunaofen ein wenig Raum für Luftbewegung bleibt.

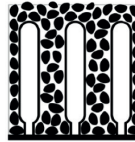
WICHTIG! Der Lufttunnel darf nicht mit Steinen gefüllt werden!

- **WICHTIG! Beachten Sie, dass der Lufttunnel und die oberen Enden der Heizkörper nicht zwischen den Steinen zu sehen wären. Denn im entgegengesetzten Fall gelten die in der Tabelle 1 angeführten Sicherheitsabstände nicht, da es zu zusätzlicher Wärmestrahlung auf den brennbaren Oberflächen kommt.**
- Die Hitzesteine müssen einmal jährlich überprüft, die zerbrochenen Steinstücke entfernt und Steine bei Bedarf ausgetauscht werden.

WICHTIG! EIN MIT UNGENÜGENDER DICHTE GEFÜLLTER STEINERAUM KANN ZUR BRANDGEFAHR FÜHREN!



1. 



2. 

1. Halbgefüllt
2. Korrekt verlegte Steine

Öffnen der Lamellen des Saunaofens

Um die Anbringung der Steine zu vereinfachen, können alle Lamellen des Ofens mit Hilfe von Holzklötzen (A) entfernt werden. Siehe **Abbildung 3**.

1. Die Muttern der Gewindestange auf dem Boden des Saunaofens um lösen.
2. Die Holzklötzen zwischen die Lamellen schieben.
3. Die Lamelle wird auf beiden Seiten gelöst.
4. Die Lamelle vorsichtig von seiner Anschlussstelle, zuerst von rechter und danach von linker Seite aus entfernen.
5. Auf die gleiche Weise kann gleich auch die sich unter der entfernten Lamelle befindende Lamelle herausgenommen werden.

WICHTIG! Die Lamelle ohne Drehen oder Kraftanwendung direkt vom Saunaofen abziehen, um das Verbiegen der Stifte zu vermeiden!

Beim Zurücklegen der Lamellen alles in umgekehrter Reihenfolge durchführen. Die Lamelle ist an ihrer Anschlussstelle zuerst vom linken und danach vom rechten Ende aus zu befestigen.

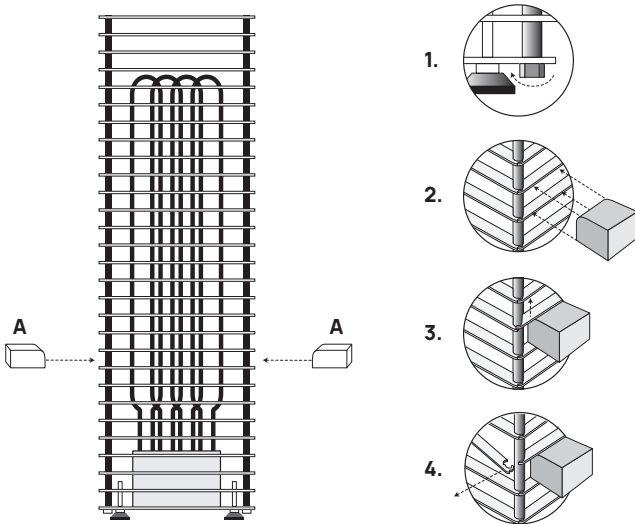


Abbildung 3. Öffnen der Lamellen des elektrischen HUUM CLIFF Saunaofens

Schutzbarrieren

Um das Risiko des Kontakts mit einem heißen Saunaofen zu verringern, wird empfohlen, Schutzbarrieren um den Saunaofen herum anzubringen.

- Diese Barriere kann selbst gebaut werden oder es kann auch das spezielle Zusatzprodukt „**Schutzbarriere zum elektrischen HUUM CLIFF Saunaofen**“, den man beim Händler der HUUM Produkte kaufen kann, benutzt werden.
- Als Material für diese Schutzbarriere empfehlen wir, Materialien mit geringer Wärmekapazität und schlechter Wärmeleitfähigkeit (z.B. Holz) zu benutzen

WICHTIG! Bei Verwendung von brennbaren Materialien (z. B. Holz) als Schutzbarrieren sind die vorgeschriebenen Mindestsicherheitsabstände zwischen dem Heizgerät und brennbaren Baukonstruktionen einzuhalten.

Steuerung des Saunaofens

- Dieses Produkt ist ausgearbeitet worden für die Verwendung mit den elektrischen **HUUM UKU** Saunaöfen oder anderen gleichwertigen Steuersystemen, die für den Betrieb mit dem Standard EN 60335-2-53:2011 entsprechenden Anlagen gedacht sind.
- Die Leistung des Saunaofens muss innerhalb des vom Hersteller des Steuergerätes angegebenen Betriebsleistungsbereiches liegen.
- Beim Installieren des Steuergeräts sind die vom Hersteller ausgearbeitet Einbau- und Bedienungsanleitungen zu benutzen.

SCHWITZSTUBE

Isolierung der Schwitzstube und Wandmaterialien

Um die optimale Leistung des Saunaofens bei seiner Benutzung auszunutzen ist es wichtig, alle großen wärmespeichernden Wandflächen (z. B. Glas- und Betonwände, Ziegel, Putz usw.) ausreichend zu isolieren. Dadurch wird der Wärmeverlust im Saunaraum und eine Überhitzung des Sauna Ofens verhindert.

Ausreichende Isolierung der Wand der Schwitzstube:

1. Installiert ist eine Dämmstoffschicht mit einer Dicke von 50-100 mm (gut geeignet sind Schaumstoffplatten mit Dampfbremsschicht).
2. Auf der Dämmstoffschicht ohne Dampfbremsschicht ist Aluminiumpapier oder ein anderes reflektierendes Material. Anschlussstellen sind mit Folienband abgedeckt.
3. Zwischen der Feuchtigkeitssperre und der Verkleidungsplatte wird ein Luftspalt von 10 mm mit Distanzstreifen gelassen (zu empfehlen).
4. Für die Bearbeitung der innenseitigen Flächen eignen sich z.B. Holzverkleidungsbretter von 12-16 mm. Vor Anbringung der Verkleidungsbretter müssen Stromkabel und die Verstärkungselemente der Wände, die z.B. für den Einbau vom Saunaofen und der Schwitzbank notwendig sind, überprüft werden.
5. Für die Vermeidung der durch den Fußboden eindringenden Feuchtigkeit könnte der Abstand zwischen Fußboden und dem Brettergerüst mindestens 100 mm betragen.
6. Der Lüftungsspalt zwischen den Wand- und Deckenplatten beträgt min. 5 mm.
7. Die Holzflächen der Wand sind mit Saunawachs oder Öl zu bearbeiten, damit der Schmutz nicht ins Holz eindringen könnte.

Die Decke der Schwitzstube

Für die Optimierung der Leistung des Saunaofens sollte die Höhe der Schwitzstube 2100 mm – 2300 mm betragen. Bei einem höheren Raum wäre es zweckmäßig, die Decke runter zu bringen, um den Rauminhalt der Schwitzstube zu reduzieren.

1. Die minimale erlaubte Höhe der Schwitzstube bei elektrischem **HUUM CLIFF** Saunaofen ist **2175 mm**.
2. Zwischen der letzten Stufe der Hitzebank und der Decke sollten 1100 -1300 mm bleiben.
3. Die Decke der Schwitzstube ist auf die gleiche Weise wie es bei sonstigen Wänden der Fall ist, zu isolieren.

WICHTIG! Bei der Verkleidung von Wänden oder Decken mit Wärmeschutz (z. B. mit Mineralfliesen) muss zwischen den Materialien ein ausreichender Lüftungsspalt gelassen werden. Das Anbringen von Fliesen direkt auf einer Wand- oder Deckenoberfläche kann zu einer gefährlichen Überhitzung der Wand- oder Deckenmaterialien führen.

WICHTIG! Erkundigen Sie sich bei der für den Brandschutz zuständigen Behörde, welche Teile der Brandschutzmauer isoliert werden können. Es ist verboten, im Betrieb befindliche Rauchabzugskanal zu isolieren!

Dunkelwerden der Wände der Schwitzstube

Mit der Zeit können die in der Schwitzstube verwendeten Holzmaterialien aufgrund der hohen Temperatur dunkler werden. Dabei handelt es sich um einen natürlichen und ungefährlichen Vorgang, der größtenteils auf das Dunkelwerden des verwendeten Holzschutzmittels zurückzuführen ist. Eine Verdunkelung kann auch durch den von Hitzesteinen abbröckelnde und mit dem Luftstrom aufsteigende feinen Steinstaub und mit dem Luftstrom verursacht werden. aufsteigt. Wenn Sie bei der Installation des Saunaofens die Anweisungen des Herstellers befolgen, werden brennbare Materialien im Dampfbad nicht gefährlich heiß.

WICHTIG! Die höchste erlaubte Temperatur der Wand- und Deckenflächen darf keine 140 °C übersteigen.

Der Fußboden der Schwitzstube

Aufgrund großer Temperaturschwankungen zerbröckeln mit der Zeit auch die Hitzesteine. Zusammen mit dem Aufguss werden von den Steinen gelöste Partikel und feiner Steinstaub auf den Saunaboden gespült. Die mit Kunststoff bedeckten Fußböden können unter dem Saunahofen und in der Nähe des Ofens beschädigt werden. Abgebröckelte Steinstückchen und Aufguss-spritzer können (insbesondere bei eisenhaltigem Wasser) in die helle Fuge des Fliesenbodens eindringen.

Um die Entstehung von ästhetischen Schäden zu vermeiden, ist es praktisch, unter und um den Saunaofen herum Keramikfliesen und dunkle Fugenmasse zu verwenden.

Lüftung der Sauna

Um eine ausreichende Sauerstoffversorgung und das Vorhandensein von Frischluft sicherzustellen, muss die Belüftung der Sauna möglichst effizient sein (der Luftwechsel sollte **sechsmal pro Stunde** erfolgen).

Die Lösung der Lüftung der Sauna hängt davon ab, ob das Gebäude über einen natürlichen Lufteintritt und -austritt verfügt oder ob die Räume über eine Zwangsbelüftung verfügen.

Die Lüftung der Sauna besteht aus minimal zwei, in der Regel doch aus drei Teilen:

- **Luftzufuhr.** Der Luftzufuhrrohr muss ein Durchmesser von \varnothing 50-100mm haben.
- **Auszug.** Der Durchmesser vom Luftauszugsrohr müsste doppelt so groß Diameter sein wie beim Zufuhrrohr, also \varnothing 100-200mm.
- **Lüftung.** Sollte es keine Belüftungsöffnung geben, kann die Tür nach Saunen für Belüftung offengelassen werden.

Bei einer mit Zwangsbelüftung ausgestatteten Sauna müsste:

1. **die Luftzufuhr** sich im mittleren Teil des Saunaofens oder höher (≥ 400 mm),
2. **der Luftauszug** sich in der entgegengesetzten Wand (≤ 600 mm vom Fußboden),
3. **die Lüftungsöffnung** sich in der entgegengesetzten Wand unter der Decke befinden.

Sollte der Saunaraum eine selbstläufige Belüftung haben, sollte:

1. **die Luftzufuhr** sich im mittleren Teil des Saunaofens oder höher (≥ 400 mm),
2. **der Luftauszug** sich in der entgegengesetzten Wand mindestens 200 mm höher als Luftzufuhr (≤ 600 mm vom Fußboden)
3. **die Lüftungsöffnung** in der entgegengesetzten Wand unter der Decke befinden.

Die Luftzufuhröffnung ist mit einem einstellbaren Ventil ausgerüstet sein.

Bei der sich im Waschraum befindenden **Luftauszugsöffnung**, muss man unter der Tür des Saunaraums eine mindestens 100 mm Spalte haben.

Benutzen Sie **die Lüftungsöffnung** für die endgültige Lüftung nach dem Saunen oder zwischen Aufgüssen, wenn es sich im Raum viele Menschen befinden und zu viel Feuchtigkeit entsteht und Luftmangel entsteht. Während des Saunens soll die Lüftungsöffnung geschlossen sein.

BENUTZUNG

Benutzung des Saunaofens

WICHTIG! Überprüfen Sie vor dem Einschalten des Saunaofens immer, dass sich keine Fremdkörper darauf, darüber oder in der Nähe befinden. Dies kann zu Brandgefahr führen

Für die Benutzung des Saunaofens muss das Steuersystem des Ofens installiert werden. Das Steuersystem ist nicht im Produktsatz enthalten. Vor Benutzung unbedingt die Gebrauchsanweisung vom Steuersystem durchlesen.

Aufwärmen der Schwitzstube

Beim ersten Einschalten des Saunaofens kommt sowohl von Heizkörpern als auch von Steinen ein gewisser Geruch her, für dessen Entfernung die Schwitzstube ordentlich belüftet werden muss. Bei einem ordnungsgemäß isolierten Saunaraum und einem Saunaofen mit der für den Raum geeigneten Leistung dauert es etwa **eine Stunde**, bis die entsprechende Temperatur erreicht ist. Steine wärmen sich bis der für den Aufguss notwendigen Temperatur in der Regel gleichzeitig mit der Schwitzstube.

Aufguss

Wenn sich der Raum aufwärmt, wird die Luft in der Sauna trocken. Die Luftfeuchtigkeit im Dampfbad lässt sich erhöhen, indem man Wasser auf die heißen Steine schüttet. Durch die Wahl der für Sie passenden Häufigkeit und Menge des Wassers können Sie die Luftfeuchtigkeit und das Wärmeempfinden der Sauna ganz nach Ihren Wünschen regulieren.

- Versuchen Sie das Wasser nur auf Hitzesteine und nicht auf Metallflächen zu schütten.
- Fangen Sie mit Aufguss erst dann an, wenn Steine ordentlich heiß ist und das Wasser von ihnen vollständig verdunstet.
- Für Aufguss nur reines und warmes Wasser benutzen.
- Es wird empfohlen, ca. 80 ml Wasser auf einmal auf Hitzesteine zu schütten. Sollten Sie mehr Aufguss haben, einfach paar Minuten warten und die gleiche Menge nochmals auf die Steine zu gießen. Dadurch können die Steine inzwischen völlig austrocknen und wieder heiß werden.

WICHTIG! Niemals Wasser auf die Steine schütten, wenn jemand sich in der Nähe des Saunaofens aufhält, denn der heiße Dampf kann Verbrennung hervorrufen.

WARNUNGEN UND BEMERKUNGEN

- **Der Saunaofen ist für die Heizung der Schwitzstube bis zur für den Aufguss notwendigen Temperatur gedacht. Es darf nicht für andere Zwecke benutzt werden.**
- **Alle Wartungsarbeiten, die besondere Kenntnisse voraussetzen, müssen vom geschulten Fachmann durchgeführt werden.**
- **Vor Ausführung von Wartungsarbeiten ist das Gerät vom Stromnetz zu trennen!**
- Vor dem Einschalten des Saunaofens immer die Schwitzstube und den Saunaofen überprüfen.
- Der Saunaofen darf nur benutzt werden, wenn es mit Steinen ordentlich gefüllt ist.
- Der Saunaofen darf nicht zugedeckt werden. Brandgefahr!
- Den geheizten Saunaofen nicht berühren. Verbrennungsgefahr!
- Falsche Belüftung der Schwitzstube kann übermäßiges Austrocknen vom Holz und dadurch Feuergefahr in der Sauna hervorrufen. Bei Planung des Lüftungssystems bei Bedarf einen Fachmann beraten.
- Für Aufguss keinen Wasserschlauch verwenden.
- Saunadüfte und -öle nur im für Aufguss benutzten Wasser verwenden. Unverdünnte Düfte und Öle können auf Hitzesteinen leicht entzünden.
- Unter dem Brettergerüst der Schwitzstube muss man eine mindestens 50 mm dicke Dämmschicht haben.
- Bei Saunen ohne Wärmedämmung, wie z.B. fertiggestellten und im Handel erhältlichen Fass- und Hofsaunen, muss für die Feststellung der passenden Leistung des Saunaofens das Volumen der Schwitzstube durch 1,5 multipliziert werden.
- Die Saunatüren müssen sich nach draußen öffnen.
- Sauna nur fürs Saunen benutzen.
- Kleinkinder dürfen in Sauna nicht ohne Aufsicht gelassen werden.
- Bei Gesundheitsproblemen wird ist plötzliche Abkühlung nach Aufguss nicht empfehlenswert. Bei Bedarf ärztlichen Rat einholen.
- Halten Sie sich nicht zu lange in der Sauna auf, genießen Sie den Aufguss nur so lange, bis es für Sie angenehm ist.
- Diese Information an einem sicheren Ort aufbewahren.

GARANTIE

Allgemeine Bestimmungen:

- Der Käufer ist verpflichtet, sich mit der Bedienungsanleitung des Produkts vertraut zu machen und die in der Bedienungsanleitung genannten Anforderungen zu befolgen.
- Die Garantie erstreckt sich nicht auf Ausfälle, die auf die Nichtbeachtung der im Handbuch aufgeführten Nutzungsregeln zurückzuführen sind.
- Die Garantie gilt, wenn das Produkt einen vom Hersteller verursachten technischen Defekt oder Fehler aufweist.
- Der Austausch des Produkts oder von dessen Bestandteilen mit Herstellungsfehlern ist inbegriffen.
- Die Dauer der Garantie beträgt 5 Jahre ab Kaufdatum des Produkts.

WICHTIG! Grundlage für die Gewährung der Garantie ist die Vorlage des Kaufbelegs/der Rechnung. Das Recht zur Geltendmachung einer Reklamation besteht unter der Voraussetzung, dass das Produkt nur für den vorgesehenen Zweck und unter den vorgesehenen Bedingungen verwendet wurde.

Garantiebedingungen:

- **WICHTIG!** Die Garantie erstreckt sich nicht auf die Heizkörper des elektrischen Saunaofens; sie werden als Verschleißteile betrachtet.
- Die Garantie deckt keine Mängel ab, die durch normale Abnutzung des Produkts verursacht werden
- Die Garantie erstreckt sich nicht auf Hitzesteine.

Die Garantie erstreckt sich nicht auf Störungen, die bedingt sind durch:

- den Transport des Produkts oder sonstige zufällige Schäden;
- Unvorsichtige oder nicht zweckmäßige Lagerung und Verwendung des Produkts sowie Überlastung
- Nichteinhaltung der Einbau- und Bedienungsanweisungen sowie Sicherheitsanforderungen.

Die Garantie gilt nicht:

- wenn das Produkt von einem dazu nicht bevollmächtigten Person repariert wurde, wenn dem Produkt dazu nicht gehörende Details oder vom Hersteller nicht akzeptierte Verschleißmaterialien (z.B. Heizkörper) hinzugefügt worden sind.
- Die Vollständigkeit des Produkts nicht vorhanden ist.

Die aktuellsten Informationen finden Sie auf unserer Webseite: huum.eu

HUUM CLIFF

POÊLE ÉLECTRIQUE POUR SAUNA

Manuel d'installation et d'utilisation

Le poêle électrique pour sauna est livré en kit, qui comprend :

- poêle électrique pour sauna;
- pieds réglables (4) ;
- cales en bois (2) pour ouvrir les nervures du poêle ;
- manuel d'installation et d'utilisation ;
- plaque de montage mural en cas de modèle HUUM CLIFF Mini.

Attention ! Le poêle électrique HUUM CLIFF nécessite également un système de commande et des pierres. Le poêle électrique doit être installé au complet, avec les éléments nécessaires à son fonctionnement normal.

Le présent manuel d'installation et d'utilisation est adressé aux propriétaires et personnes responsables d'entretien du sauna, ainsi qu'à l'électricien-installateur du poêle. Avant de procéder à l'utilisation du poêle électrique, il est important de lire attentivement ce manuel d'installation et d'utilisation.

Attention ! Les travaux électriques décrits dans ce manuel doivent être effectués par un électricien agréé.

Ce produit a été conçu dans le respect de la norme EN 60335-2-53:2011.

AVANT L'INSTALLATION

Avant d'installer le poêle électrique, veuillez lire le manuel d'installation et d'utilisation et faites attention aux dispositions ci-dessous :

- Avant d'installer le poêle électrique, contrôlez l'ampérage maximum du disjoncteur principal, qui doit correspondre aux paramètres du poêle.
- La puissance de poêle (kW) correspond-elle au volume calculé de la salle de sauna (m³) ? Si les murs de salle de sauna sont en briques, verre ou rondins ou revêtus de carreaux sans isolation thermique, il faudra ajouter 1,5 m³ pour chaque mètre carré d'un tel mur. (Pour une puissance appropriée de poêle veuillez voir le **Tableau 1**.)
- Les distances de sécurité minimales, sont-elles assurées là où le poêle électrique est installé ? (Les distances minimales de sécurité jusqu'aux murs et plafond de salle de sauna, à respecter lors du montage du poêle électrique, sont indiquées dans le **Tableau 1** et sur la **Figure 1**.)

Attention ! La garantie du fabricant n'est pas valable, si la puissance du poêle électrique ne correspond pas au volume calculé de la salle de sauna !

INSTALLATION

Installation du poêle électrique

Le poêle électrique doit être installé à une distance de sécurité par rapport aux matériaux inflammables.

- Veuillez contrôler d'après le **Tableau 1** les distances de sécurité minimales entre le poêle électrique et le plafond, ainsi que les murs de salle de sauna.
- Installez le poêle électrique de manière à ce que son emplacement ne crée pas de situations dangereuses au cours de son utilisation et que le contact accidentel avec le poêle électrique chaud soit minimisée.
- L'entrée pour le câble d'alimentation est située au fond de poêle.

Tableau 1.	Puissance kW	Sauna* m ³	Poids kg	A mm	B mm	H mm	Largeur/ Profondeur mm	Disjoncteur A	Câble d'alimentation N x mm ²
CLIFF Mini 4	3,5	3,5-6	15	60	390	975	270/160	16	3 x 2,5
CLIFF 6	6	5-10	16	60	390	975	270/270	10	5 x 2,5
CLIFF 9	9	9-15	16	240	750	975	270/270	16	5 x 2,5
CLIFF 11	10,5	10-17	17	240	750	975	270/270	16	5 x 2,5

* Si les murs de salle de sauna sont en briques, verre ou rondins ou revêtus de carreaux sans isolation thermique, il faudra ajouter 1,5 m³ pour chaque mètre carré d'un tel mur.

- Vissez au fond du poêle les **pieds** (4) inclus dans le kit. Ajustez les pieds de manière à ce que le poêle soit à la position verticale.
- Fixez les modèles **HUUM CLIFF 6, 9 et 11** au sol à l'aide des supports inclus dans le kit. Mettez le support sur le pied du poêle comme illustré à la **Figure 1** et fixez-le avec une vis appropriée au matériau du plancher (min. 6 x 40 mm).
- Fixez le poêle **HUUM CLIFF Mini 4** au mur de salle de sauna à l'aide d'une plaque de montage mural incluse dans le kit. Voir la Figure 1.

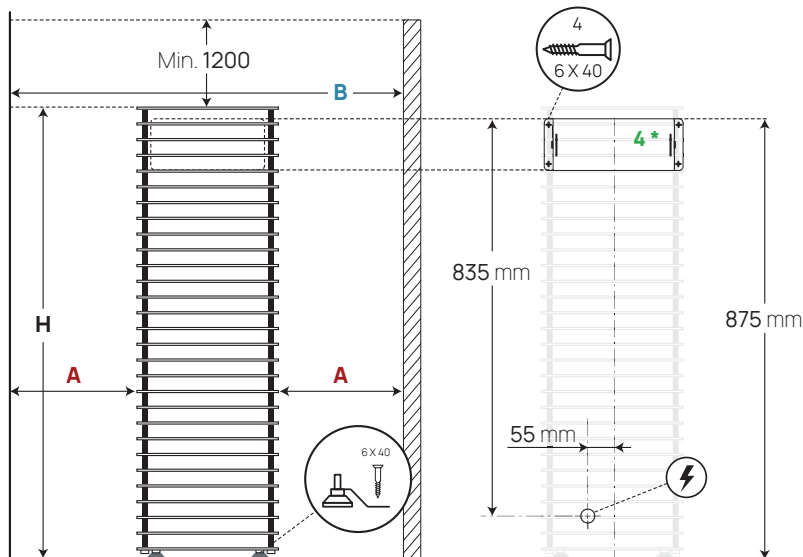


Figure 1. Installation du poêle électrique

Montage du poêle électrique enfoncé dans le banc de sauna

Le poêle électrique HUUM CLIFF peut également être partiellement enfoncé dans le banc ou le plancher du sauna.

- le poêle électrique partiellement enfoncé doit ressortir **au minimum de 550 mm** de la surface du banc ;
- Couvrez les bords de l'ouverture dans le banc avec une bride d'enrobage HUUM CLIFF.

La bride d'enrobage HUUM CLIFF est un accessoire supplémentaire que vous pouvez demander au revendeur des produits HUUM. La notice d'installation de la bride est ci-jointe.

La profondeur maximale de pose du poêle est illustrée sur la **Figure 2**.

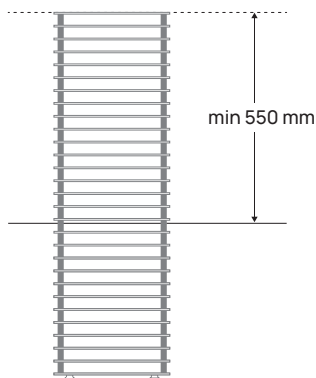


Figure 2. Montage du poêle électrique HUUM CLIFF enfoncé dans le banc de sauna

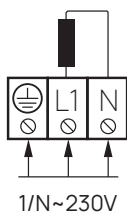
Raccordement au secteur

Attention ! Le raccordement du poêle électrique au secteur doit être confié à un électricien agréé.

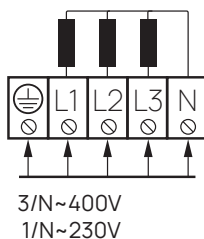
- Utilisez pour le raccordement le câble avec une isolation à base de caoutchouc de silicone SIHF-JB ou équivalent.
- La section de câble et l'ampérage maximum du disjoncteur sont indiqués dans le **Tableau 1**.
- Il est recommandé de connecter le poêle électrique au réseau sans interrupteur à courant différentiel résiduel (RCD).

ATTENTION ! Il est interdit d'utiliser le câble avec une isolation en PVC non résistant à la chaleur en qualité de câble d'alimentation du poêle électrique. La boîte de branchement installée dans la salle de sauna doit être étanche et se situer à une hauteur maximale de 50 cm du sol.

CLIFF
Mini 4



CLIFF 6
CLIFF 9
CLIFF 11



- Ouvrez le couvercle de la boîte de branchement du poêle.
- Passez le câble dans la boîte de branchement à travers le passe-câble en caoutchouc.
- Branchez le câble d'alimentation à l'aide d'un bornier de raccordement conformément au schéma de câblage.
- Fermez le couvercle.
- Fixez le câble au fond à l'aide d'un collier de serrage.

Résistance d'isolement du poêle électrique

Lors de la première utilisation de poêle électrique, le résultat de mesure de la résistance d'isolement du câble peut être temporairement inférieure à la normale. Cela peut être dû à l'humidité qui a pénétré dans la couche d'isolation lors du stockage de poêle électrique dans l'entrepôt et de son transport. Cette humidité va s'évaporer dans une ou deux heures de chauffage du poêle.

Pose de pierres dans le poêle

- **Pour le poêle électrique HUUM CLIFF (modèles 6, 9 et 11)** il faudra **75 kg de pierres**.
- **Pour le poêle électrique HUUM CLIFF Mini** il faudra **60 kg de pierres**.
- Pour le poêle électrique **HUUM CLIFF** conviennent les **pierres de 3 à 5 cm de diamètre**.
- Nous recommandons d'utiliser des pierres rondes qui conviennent bien au design du poêle électrique. De plus, l'eau s'écoulera librement sur ces pierres vers la couche inférieure.
- Des pierres naturelles pour le chauffe-sauna sont disponibles dans le commerce (par ex. olivine-diabase, olivine).
- Il n'est pas recommandé d'utiliser des pierres décoratives, car elles n'accumulent pas assez de chaleur, se fissurent et s'effritent facilement. Les fragments de pierre, à leur tour, peuvent obstruer l'accès pour l'air à l'intérieur de poêle électrique, ce qui risque d'endommager les éléments chauffants.
- **Attention ! La garantie ne couvre pas les défauts causés par l'utilisation dans le chauffe-poêle des pierres inappropriées.**
- Il est recommandé de laver les pierres sous l'eau courante avant la pose.

Règles de pose de pierres

- Mettez des gants pour protéger vos mains lors de la pose de pierres.
- Disposez les pierres une par une, ne les versez/jetez pas dans le poêle.
- Commencez par les grosses pierres en les disposant au fond et sur les côtés du poêle. Coincez les grosses pierres avec des pierres plus petites et remplissez aussi les espaces étroits.

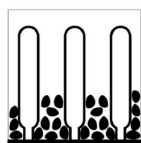
- Serrez bien les pierres l'une contre l'autre, mais tout en laissant des passages pour l'air.

ATTENTION ! Il est interdit de remplir de pierres le tunnel d'air !

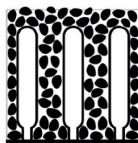
ATTENTION ! Posez les pierres de sorte que le tunnel d'air et les extrémités supérieures des éléments chauffants ne soient pas visibles. Sinon, les distances de sécurité indiquées dans le tableau 1 seront incorrectes, car les matériaux inflammables entourant le poêle seront exposés à un rayonnement thermique plus intense.

- Vérifiez l'état des pierres dans le poêle une fois par an ; enlevez les éclats et fragments de pierre et remplacez les pierres si nécessaire.

ATTENTION ! SI LES PIERRES SONT TROP ÉCARTÉES L'UNE DE L'AUTRE, LE POÊLE PEUT PRÉSENTER UN RISQUE D'INCENDIE !



1. ❌



2. ✅

1. Rempli à moitié
2. Les pierres sont posées correctement

Ouverture des nervures du chauffe-sauna

Afin de faciliter la pose des pierres, toutes les nervures du poêle peuvent être retirées à l'aide de cales en bois (A). Voir **Figure 3**.

1. Desserrez de 5 mm les écrous sur le montant de la cage à pierres.
2. Insérez les cales de bois entre les nervures.
3. Débloquez la nervure des deux côtés.
4. Enlevez doucement la nervure tout d'abord du côté droit, puis du côté gauche.
5. De la même façon on peut retirer immédiatement la nervure située sous la nervure déjà retirée.

ATTENTION ! Retirez les nervures sans les tordre et sans appliquer de force pour ne pas courber les pivots !

Remontez les nervures dans l'ordre inverse.

La nervure doit être remontée tout d'abord du côté gauche, puis du côté droit.

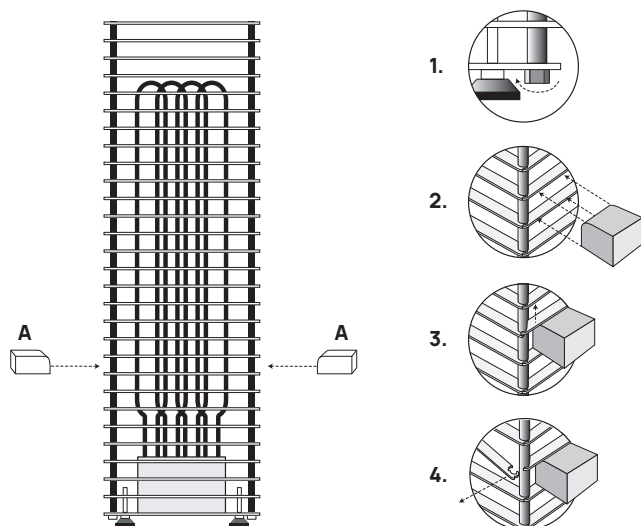


Figure 3. Ouverture des nervures du chauffe-sauna HUUM CLIFF

Garde-corps

Pour réduire les risques de brûlures à la suite d'un contact avec un poêle électrique chaud, il est conseillé d'installer une protection appropriée autour de celui-ci.

- Vous pouvez fabriquer ce garde-corps vous-même ou acquérir un garde-corps spécial HUUM CLIFF, que vous pouvez demander à votre revendeur HUUM.
- Il est recommandé de fabriquer un garde-corps avec des matériaux à faible pouvoir calorifique et à faible conductivité thermique (par exemple, le bois).

Attention ! Lors de l'utilisation d'un garde-corps en matériau inflammable (par exemple, en bois), il faudra obligatoirement respecter les distances de sécurité minimales, prévues entre le poêle électrique et les structures inflammables.

Commande du poêle électrique

- Ce produit doit être utilisé avec le système de commande de chauffe-sauna électrique **HUUM UKU** ou analogue, destiné au fonctionnement avec les équipements conformes à la norme EN 60335-2-53:2011.
- La puissance de poêle électrique doit rester dans la plage de puissance de fonctionnement spécifiée par le fabricant du dispositif de commande.
- Lors de l'installation du dispositif de commande suivez les instructions d'installation et d'utilisation établi par le fabricant.

SALLE DE SAUNA

Isolation thermique de la salle de sauna et matériaux de construction de murs

Afin d'utiliser le poêle de puissance optimale dans un sauna chauffé électriquement, il est important d'isoler correctement tous les murs de grande surface, accumulant de la chaleur (par exemple, les murs en verre, en béton, en briques, enduits d'un crépi etc.), ce qui permettra d'éviter les pertes de chaleur dans le sauna, ainsi que la surchauffe du poêle électrique.

Isolation suffisante des murs de salle de sauna :

1. Une couche de matériau d'isolation thermique de 50 à 100 mm d'épaisseur (p. ex., des panneaux d'isolation en mousse rigide, recouverts d'une feuille d'aluminium faisant office de pare-vapeur).
2. Le matériau isolant thermique sans couche pare-vapeur, couvert de papier d'aluminium ou d'un autre matériau réfléchissant le rayonnement thermique. Les joints sont couverts par un ruban adhésif en feuille d'aluminium.
3. Il est recommandé de laisser – à l'aide des lattes d'ancrage – un espace de 10 mm entre la couche étanche et les planches de bois.
4. Pour la finition on peut utiliser, par exemple, les planches de coffrage de 12-16 mm d'épaisseur. Avant le montage vérifiez le câblage, ainsi que les montants nécessaires pour l'installation du poêle électrique et du banc.
5. Pour éviter l'humidité provenant du plancher de sauna, la distance entre le banc et le plancher doit être d'au moins 100 mm.
6. Un espace d'au moins 5 mm doit être assuré entre le coffrage de mur et le plafond.
7. Enduisez de cire ou d'huile spéciale les surfaces en bois dans la salle de sauna pour les préserver de salissures.

Plafond de salle de sauna

Pour optimiser la puissance du poêle électrique, la hauteur recommandée du sauna doit être d'environ 2100 mm - 2300 mm. Si le plafond dans la salle de sauna est plus haut, il faudrait le baisser, réduisant ainsi le volume de la pièce.

1. La hauteur de plafond minimale, autorisée dans la salle de sauna en cas d'installation du poêle **HUUM CLIFF**, est de **2175 mm**.
2. Entre le niveau supérieur du banc sauna et le plafond on peut laisser 1100-1300 mm.
3. Le plafond de salle de sauna doit être isolé de la même façon que les murs.

ATTENTION ! En cas de revêtement des murs ou du plafond par un isolant thermique (par exemple, par des panneaux thermo-isolants en fibres minérales), un espace suffisant doit être laissé entre les matériaux. La pose des panneaux directement sur la surface du mur ou du plafond peut entraîner une surchauffe dangereuse des matériaux du mur ou du plafond.

ATTENTION ! Vérifiez auprès de l'autorité de sécurité incendie sur quelles zones du mur coupe-feu on peut installer une isolation thermique. Il est interdit de revêtir des cheminées par un isolant thermique !

Assombrissement des murs dans la salle de sauna

Au fil du temps, les surfaces en bois dans la salle de sauna peuvent s'assombrir sous l'action des hautes températures. C'est un processus naturel qui n'affecte pas les propriétés du bois et, en plus, est causé par les produits de protection du bois. L'assombrissement peut également être causé par une fine poussière de pierre, produite par leur effritement et transportée par les courants d'air. Veuillez suivre les instructions du fabricant relatives à l'installation du poêle électrique afin de prévenir la surchauffe des matériaux inflammables de sauna !

ATTENTION ! La température maximale autorisée, mesurée sur la surface des murs et du plafond de salle de sauna est de 140°C.

Plancher de salle de sauna

En raison des fortes variations de température, les pierres dans le conteneur du poêle électrique vont s'effriter avec le temps. L'eau va emporter les éclats et la poussière de pierre, qui se déposeront sur le sol de la salle de sauna. Les éclats chauds peuvent endommager le revêtement en plastique du sol sous et autour du poêle. De petits éclats de pierre humides (surtout si l'eau est riche en fer) vont pénétrer dans les joints de carrelage et les assombrir, surtout si les joints sont de couleur claire.

Pour préserver l'apparence originale des matériaux de finition, il est conseillé d'utiliser sous et autour du poêle des carreaux céramiques et un coulis foncé.

Ventilation de la salle de sauna

Pour assurer un apport d'air frais suffisant, la ventilation dans la salle de sauna doit être suffisamment efficace (capable de renouveler l'air **six fois par heure**).

La solution relative à la ventilation de la salle de sauna dépend du système de ventilation – naturelle ou mécanique – utilisé dans le bâtiment.

La ventilation de la salle de sauna se compose au moins de deux, mais normalement de trois éléments :

- **Arrivée d'air.** Le tuyau d'arrivée d'air doit être de 50 à 100 mm de diamètre.
- **Sortie d'air.** Le diamètre du tuyau de sortie d'air doit être 2 fois plus grand que celui d'entrée, c'est-à-dire, être de 100 à 200 mm.
- **Aération.** Si dans la salle de sauna il n'y a pas de trou d'aération, on peut laisser sa porte ouverte après la séance de sauna pour aérer la pièce.

Si dans la salle de sauna est installée une ventilation mécanique :

1. **L'arrivée d'air** doit se situer du côté opposé à la partie centrale du poêle électrique ou plus haut (≥ 400 mm).
2. **La sortie d'air** doit se trouver dans le mur opposé à celui de poêle électrique (≤ 600 mm du sol).
3. **Le trou d'aération** doit être situé dans le plafond, près du mur opposé à celui de poêle électrique.

Si dans la salle de sauna est installée une ventilation naturelle :

1. **L'arrivée d'air** doit se situer du côté opposé à la partie centrale du poêle électrique ou plus haut (≥ 400 mm).
2. **La sortie d'air** doit se trouver dans le mur opposé à celui de poêle électrique, au moins 200 mm plus haut que l'entrée d'air (≤ 600 mm du sol).
3. **Le trou d'aération** doit être situé dans le plafond, près du mur opposé à celui de poêle électrique.

L'entrée d'air doit être équipée d'un clapet réglable.

Si **l'évent** se trouve dans la salle de lavage, un espace libre d'au moins 100 mm doit être prévu sous la porte du sauna.

On utilise **le trou d'aération** pour rafraîchir l'air dans la salle de sauna après la visite ou entre les séances, si plusieurs personnes se trouvaient en même temps dans la salle de sauna et l'humidité y était excessive, ou on y sentait un manque d'air. Pendant la séance, le trou d'aération doit être fermé.

UTILISATION

Utilisation du poêle électrique pour sauna

ATTENTION ! Avant de mettre en marche le poêle électrique, assurez-vous de l'absence de corps étrangers sur, au-dessus ou à proximité du poêle afin d'éviter tout risque d'incendie.

Le poêle électrique doit être utilisé seulement avec un système de commande approprié, qui n'est pas inclus dans le kit de poêle électrique. Avant de procéder à l'utilisation veuillez lire le manuel de dispositif de commande que vous avez choisi.

Chauffage de la salle de sauna

Au cours de la première mise en marche du poêle, les éléments chauffants et les pierres peuvent dégager une odeur spécifique, que vous pouvez éliminer en aérant bien le sauna. Il faudra **environ une heure** pour chauffer à la température souhaitée la salle de sauna dotée d'une isolation thermique adaptée et à condition que le chauffe-sauna ait une puissance correcte. En règle générale, la température des pierres monte en même temps avec celle dans la salle de sauna.

Arrosage de pierres

Au fur et à mesure que la température monte, l'air dans la salle de sauna devient de plus en plus sec. On peut humidifier l'air en versant un peu d'eau sur les pierres chaudes. En choisissant la fréquence et la quantité d'eau à verser, vous pouvez ajuster à votre gré l'humidité et la chaleur ressentie.

- Essayez de verser de l'eau uniquement sur les pierres et non sur les surfaces métalliques.
- Arrosez les pierres après qu'elles sont devenues suffisamment chaudes pour évaporer complètement l'eau.
- Ne versez que de l'eau propre et chaude.
- Nous recommandons de verser environ 80 ml d'eau à la fois. Pour plus de vapeur, attendez une minute ou deux, puis versez la même quantité d'eau. Cette procédure permettra aux pierres de sécher et de se réchauffer à nouveau.

ATTENTION ! N'arrosez jamais les pierres, si quelqu'un se trouve à proximité, sinon la vapeur peut provoquer de graves brûlures.

MISES EN GARDE ET REMARQUES

- **Ce poêle électrique est conçu pour chauffer la salle de sauna à la température souhaitée. Il est interdit d'utiliser le poêle électrique sauna à d'autres fins.**
- **Tous les travaux d'entretien du poêle qui nécessitent des compétences particulières, doivent être effectués par un spécialiste qualifié.**
- **Débranchez toujours l'appareil du secteur avant de procéder aux travaux d'entretien !**
- Avant de mettre en marche le poêle électrique, effectuez toujours son contrôle visuel et assurez-vous que la salle de sauna est aussi en bon état.
- Le poêle ne peut être utilisé que s'il est correctement rempli de pierres.
- Ne couvrez pas le poêle électrique, sinon cela peut provoquer un incendie.
- Ne touchez pas le poêle chaud, sinon vous risquez de vous brûler.
- Une ventilation insuffisante de la salle de sauna peut provoquer un dessèchement excessif du bois et entraîner un risque d'incendie. Si nécessaire, demandez conseil à un expert lors de la planification de la ventilation.
- N'arrosez pas les pierres chaudes avec un tuyau flexible !
- Diluez l'huile essentielle dans de l'eau, puis versez cette eau sur les pierres. L'huile pure versée directement sur les pierres chaudes peut s'enflammer !
- Il est recommandé d'installer une couche d'isolant thermique réfractaire d'une épaisseur d'au moins 5 cm sous le banc de sauna.
- Pour déterminer la puissance conforme du poêle électrique qui va être installé dans une salle de sauna sans isolation thermique (par exemple, dans un sauna en forme de tonneau ou un sauna extérieur, disponibles dans le commerce), il faudra multiplier par 1,5 le volume d'un tel sauna.
- La porte de la salle de sauna doit toujours s'ouvrir vers l'extérieur.
- N'utilisez pas le sauna à d'autres fins.
- Ne laissez pas les jeunes enfants sans surveillance dans la salle de sauna !
- En cas de problèmes de santé, il est déconseillé de prendre un bain froid ou une douche froide après la séance de sauna. Si nécessaire, consultez votre médecin!
- Restez dans la salle de sauna jusqu'à ce que cela vous procure du plaisir et n'affecte pas le sentiment de bien-être.
- Gardez ce manuel en lieu sûr.

CONDITIONS DE GARANTIE

Dispositions générales :

- L'acheteur est tenu de lire le présent manuel d'installation et d'utilisation et de se conformer aux exigences qui y sont énoncées.
- La garantie ne couvre pas les défauts causés suite au non-respect des règles d'utilisation énoncées dans ce manuel.
- La garantie est valable, si le produit présente un défaut de matière ou de fabrication.
- La garantie couvre le remplacement d'un produit défectueux ou de pièces défectueuses.
- La durée de la période de garantie est de 5 ans à compter de la date d'achat du produit.

Attention ! Le recours à la garantie n'est possible que sur présentation du ticket de caisse/de la facture. Le droit d'introduire une réclamation n'est valable qu'à condition que le produit ait été utilisé conformément à sa destination et selon les conditions du fabricant.

Conditions de garantie :

- **ATTENTION !** La garantie ne couvre pas les éléments chauffants du poêle, qui sont considérés comme consommables.
- La garantie ne couvre pas les défauts causés par l'usure normale du produit.
- La garantie ne couvre pas les pierres pour poêle.

La garantie ne couvre pas les défauts causés par :

- le transport du produit et d'autres dommages accidentels ;
- un stockage ou une utilisation mauvaise ou négligente du produit, son utilisation non prévue ou sa surcharge.
- le non-respect des instructions d'installation et d'utilisation du produit, ainsi que des préconisations de sécurité.

La garantie n'est pas valable :

- Si le produit a été réparé par une personne non habilitée ; des pièces non prévues ont été ajoutées au produit ; des consommables (p.ex., des éléments chauffants) non autorisés par le fabricant ont été utilisés.
- En cas d'utilisation du produit, dont des pièces sont manquantes.

Veillez trouver les dernières informations sur nos produits sur notre site hum.eu

HUUM CLIFF

SÄHKÖKIUAS

Asennus- ja käyttöohjeet

Toimitukseen kuuluu:

- sähkökiuas;
- säädettävät jalat (4 kpl);
- puiset välikappaleet kiukaan lämmityselementtien avaamiseen (2kpl);
- sähkökiukaan asennus- ja käyttöohjeet;
- HUUM CLIFF Mini toimitukseen kuuluu seinäasennuslevy.

Huomio! HUUM CLIFF sähkökiuas tarvitsee lisäksi ohjausjärjestelmän ja kiuaskiviä. Tuote on asennettava kokonaisuutena.

Asennus- ja käyttöohjeet on tarkoitettu saunan omistajalle tai käyttäjälle ja kiukaan asennuksen suorittavalle sähkömiehelle. Lue käyttöohjeet huolellisesti ennen kiukaan käyttöä.

Huomio! Kyseisissä ohjeissa kuvattuja sähkötyitä saa tehdä vain pätevä sähkömies.

Tuote on suunniteltu EN 60335-2-53:2011 standardin vaatimuksia noudattaen.

ENNEN ASENNUSTA

Ennen kiukaan asennusta lue asennusohjeet ja tarkista seuraavat asiat:

- Tarkista ennen sähkökiukaan asennusta, että pääsulakkeen nimellisvirta vastaa kiukaan parametreja.
- Vastaako kiukaan teho (kW) löylyhuoneen laskettua tilavuutta (m³)? Kun löylyhuoneessa on eristämättömiä tiili-, laatoitettuja, lasi- tai hirsiseiniä, on löylyhuoneen tilavuuteen lisättävä 1,5 m³ jokaisesta kyseisen seinän neliömetristä. Sopivan kiukaan tehon löydät **Taulukosta 1**.
- Onko kiukaan asennuspaikalla noudatettu vähimmäissuojaetäisyyksiä? Löylyhuoneen katon ja seinien vähimmäissuojaetäisyydet sähkökiukaan asennuksen yhteydessä on esitetty **Taulukossa 1** ja **Kuvassa 1**.

Huomio! Valmistajan takuu ei ole voimassa, jos kiukaan teho ei vastaa löylyhuoneen laskettua tilavuutta!

ASENNUS

Kiukaan paikka

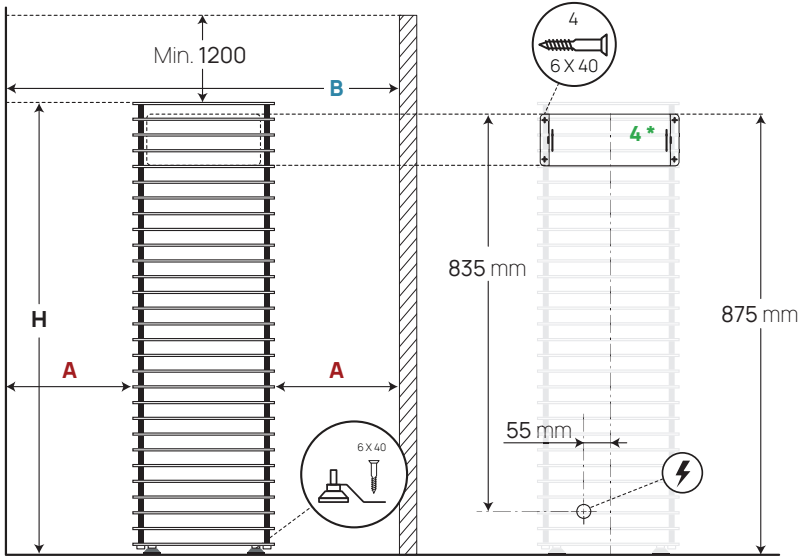
Kiuas on asetettava sillä tavalla, että on varmistettu vähimmäissuojaetäisyydet palavien materiaalien ja kiukaan ulkopintojen välillä.

- Tarkista **Taulukosta 1** vähimmäissuojaetäisyydet kiukaan ja löylyhuoneen katon ja seinien välillä.
- Aseta kiuas paikkaan, jossa se ei aiheuta käytön yhteydessä vaaratilanteita ja jossa kiukaan sattumallisen kosketuksen vaara on mahdollisimman pieni.
- Virtakaapelin sisääntulo on kiukaan pohjakannessa.

Taulukko 1.	Teho kW	Tila* m ³	Paino kg	A mm	B mm	H mm	Leveys/syvyys mm	Sulake A	Virtakaapeli N x mm ²
CLIFF Mini 4	3,5	3,5-6	15	60	390	975	270/160	16	3 x 2,5
CLIFF 6	6	5-10	16	60	390	975	270/270	10	5 x 2,5
CLIFF 9	9	9-15	16	240	750	975	270/270	16	5 x 2,5
CLIFF 11	10,5	10-17	17	240	750	975	270/270	16	5 x 2,5

* Kun löylyhuoneessa on eristämättömiä tiili-, laatoitettuja, lasi- tai hirsiseiniä, on löylyhuoneen tilavuuteen lisättävä 1,5 m³ jokaisesta neliömetristä.

- Ruuvaa kiukaan alle pakkaukseen sisältyvät **jalat** (4 kpl). Säädä kiukaan jalat niin, että kaikki neljä jalkaa tukevat kiuasta tasaisesti ja tarkista kiukaan suoruus vatupassilla.
- **HUUM CLIFF 6, 9 ja 11** mallit kiinnitetään lattialle toimitukseen sisältyvien kannattimien avulla. Yhdistä kannatin kiukaan jalkaan Kuvassa 1 esitetyllä tavalla ja kiinnitä lattiarakenteeseen sopivalla ruuvilla (suositeltava vähintään 6 x 40mm).
- **HUUM CLIFF Mini 4** kiinnitetään saunahuoneen seinälle pakkaukseen sisältyvällä seinäasennuslevyllä. Kts **Kuva 1**.



Kuva 1 Kiukaan paikka

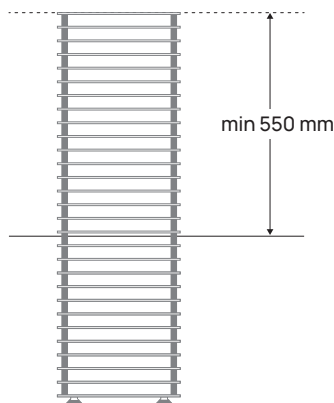
Sähkökiukaan asennus lauteisiin upotettuna

HUUM CLIFF sähkökiukaan voi asentaa osittain lauteisiin tai saunan lattiaan upotettuna.

- upotetun kiukaan täytyy ulottua lauteiden pinnan ulkopuolelle **vähintään 550 mm**
- upotusaukon leikkuureunojen peittämiseen käytä HUUM CLIFF sähkökiukaan upotuskaulusta

HUUM CLIFF sähkökiukaan upotuskaulus on lisätarvike, jonka voit hankkia HUUM tuotteiden jälleenmyyjältä. Upotuskaulusen käyttöohjeet toimitetaan tuotteen kanssa.

Kiukaan suurin sallittu upotussyvyys on esitetty **Kuvassa 2**.



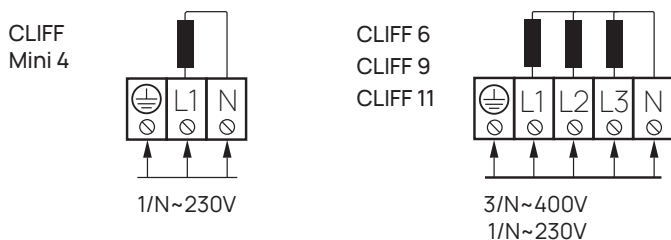
Kuva 2. HUUM CLIFF sähkökiukaan upotus lauteisiin

Sähköliitännät

Huomio! Kiukaan sähköliitännät saa tehdä vain pätevä sähkömies.

- Liitäntäkaapelina on käytettävä kumieristettyä SIHF-JB tai samanarvoista kaapelia.
- Kaapelin poikkileikkauksen pinta-ala ja sulakkeen suurin sallittu ampeeriluku on esitetty **Taulukossa 1**.
- Laite suositellaan kytkemään verkkovirtaan ilman vikavirtasuojainta (RCD).

HUOMIO! Kiukaan virtakaapelina ei saa käyttää lämpöä kestämatöntä PVC-eristettyä kaapelia. Löylyhuoneessa käytettävän haaroitusrasian on oltava vedenkestävä ja se on asetettava enintään 50 cm korkeudelle lattiasta.



- Avaa kiukaan sähkörasian kansi.
- Vedä kaapeli sähkörasiaan kumisen läpiviennin kautta.
- Liitä virtakaapeli kaavan mukaiseen riviliittimeen.
- Sulje kansi.
- Kiinnitä kaapeli kiukaan pohjalle kaapelisiteellä.

Sähkökiukaan eristysvastus

Kiukaan ensimmäisen käytön yhteydessä saattaa kaapelin eristysvastus osoittautua tilapäisesti normaalia pienemmäksi. Sen syyinä on kiukaan varastoinnin ja kuljetuksen aikana eristyskerrokseen imeytynyt kosteus. Kosteus höyrystyy sähkökiukaan lämmityksen yhteydessä 1-2 tunnissa.

Kiukaan kivien latominen

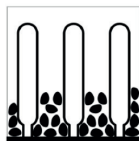
Kiukaan kivimäärä:

- **HUUM CLIFF sähkökiuas** (mallit 6, 9 ja 11) tarvitsee **75 kg kiuaskiviä**
- **HUUM CLIFF Mini sähkökiuas** tarvitsee **60 kg kiuaskiviä**
- HUUM CLIFF kiukaisiin sopivat kivet **läpimitalla 3-5 cm.**
- Suosittelemme käyttämään pyöreitä kiviä, jotka sopivat yhteen kiukaan muodon kanssa ja antavat löylyveden vapaasti virrata kiukaan alempiin kivikerroksiin.
- Kiukaankivinä käytettäväksi sopivat luonnonkivet (oliivinidiabaasi, oliiviini), joita myydään kiuaskivinä.
- Älä käytä kiukaassa koristekiviä, koska ne eivät tallenna riittävästi lämpöä ja rikkoutuvat helposti. Rikkoutuneet kivenpalat voivat tukkia kiukaan sisällä olevat ilma-aukot ja vahingoittaa lämmityselementtejä.
HUOMIO! Takuu ei kata kiukaaseen sopimattomien kivien käytöstä johtuvia vikoja.
- Ennen latomista suosittelemme pesemään kiviltä pölyn pois juoksevalla vedellä.

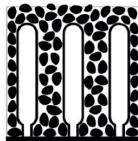
Ohjeita kivien latomiseen

- Käytä kivien latomisen aikana käsineitä.
- Lado kivet yksitellen, älä kaada eikä heitä niitä kiukaaseen.
- Aloita isommista kivistä, asettaen ne pohjalle ja sivuille. Pienemmillä kivillä voit kiinnittää suuret kivet paikoilleen ja täyttää kapeimmat raot.
- Yritä ladota kivet mahdollisimman tiukasti ja niin, että kiukaassa on tilaa ilman liikkumiselle.
Huomio! Ilmakanavaa ei saa täyttää kivillä!
Huomio! Varmista, että ilmakanava ja lämmityselementtien yläpäät eivät olisi näkyvissä kivien välistä. Muutoin taulukon 1 turvaetäisyydet eivät päde, koska syttyville pinoille syntyy lisälämpösäteilyä.
- Tarkista kiuaskivien kunto kerran vuodessa, poista rikkoutuneet kivenpalat ja tarvittaessa vaihda kivet uusiin.

HUOMIO! LIIAN VÄHÄN TÄYTETTY KIVITILA AIHEUTTAA PALOVAARAN!



1. ❌



2. ✅

1. Puolitäytetty
2. Oikein ladotut kivet

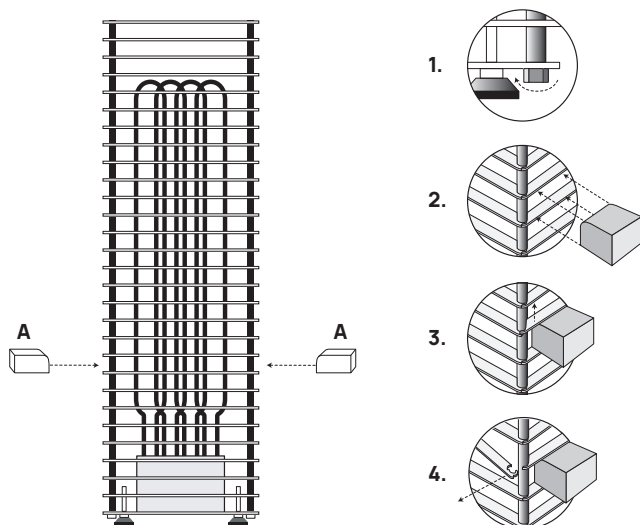
Kiukaan lämmityselementtien avaaminen

Kivien asennuksen helpottamiseksi on kaikki kiukaan lämmityselementit poistettava puisten välikappaleiden (A) avulla. Katso **Kuvaa 3**.

1. Vapauta kiukaan pohjalla olevan kierretangon mutterit 5 mm verran.
2. Työnnä puiset välikappaleet kiukaan lämmityselementtien väliin.
3. Elementti vapautetaan molemmalta puolelta.
4. Poista elementti varovaisesti kiinnityskohdasta ensin oikeasta päästä ja sitten vasemmasta päästä.
5. Samalla tavalla voit heti poistaa myös elementin alapuolella olevan elementin.

Huomio! Vedä elementti ilman kääntämättä ja siihen voimaa kohdistamatta suoraan kiukaasta pois ja välttä tappien vääntymistä!

Elementtien asennuksen yhteydessä toimi päinvastaisessa järjestyksessä. Kiinnitä elementti ensin vasemmasta päästä ja sitten oikeasta päästä.



Kuva 3. HUUM CLIFF sähkökiukaan elementtien avaaminen

Suojakaiteet

Kuuman kiukaan kosketusriskin vähentämiseen suosittelemme asentamaan kiukaan ympärille suojakaiteet.

- Suojakaiteet voi rakentaa itse tai käyttää siihen tarkoitettua lisätuotetta **HUUM CLIFF** sähkökiukaan suojakaiteita, jonka voi hankkia HUUM tuotteiden jälleenmyyjältä.
- Suojakaiteiden materiaalina suosittelemme käyttämään materiaaleja, joilla on alhainen lämpökapasiteetti ja huono lämmönjohtavuus (esimerkiksi puuta).

HUOMIO! Kun käytät suojakaiteiden rakentamiseen palavia materiaaleja (esimerkiksi puuta), on aina noudatettava vähimmäisuojaetäisyyksiä kiukaan ja palavien rakenteiden välillä.

Kiukaan ohjaus

- Tuote on tarkoitettu käytettäväksi **HUUM UKU** sähkökiukaiden ohjausjärjestelmän tai muun samankaltaisen ohjausjärjestelmän kanssa, joka sopii yhteen EN 60335-2-53:2011 standardin vaatimukset täyttävien laitteiden kanssa.
- Kiukaan tehon tulee olla ohjauslaitteen valmistajan määrittelemällä käyttötehoalueella.
- Ohjauslaitteen asennuksen yhteydessä noudata valmistajan asennus- ja käyttöohjeita.

LÖYLYHUONE

Löylyhuoneen lämmöneristys ja seinämateriaalit

Sopivan tehoisen kiukaan käyttämiseksi sähkölämmitteisessä saunassa on tärkeää eristää riittävästi kaikki isot lämpöä varaavat seinäpinnat (esim. lasi- ja betoniseinät, tiili, rappaus jne.). Tämä auttaa vähentämään saunan lämmönhukkaa ja estää kiukaan ylikuumentumisen.

Löylyhuoneen seinän riittävä lämmöneristys:

1. Asennetaan lämmöneristekerros paksuudella 50-100mm (erittäin hyvin sopivat siihen tarkoitukseen PVC-vaahtolevyt, joiden päälle asennetaan höyrysulku).
2. Lämmöneristysmateriaalin päällä on alumiinipaperi tai muu heijastava materiaali, jos höyrysulku ei käytetä. Liitokset peitetään folioteipillä.
3. Kosteussulun ja verhouslaudan väliin asennetaan listat, jotka muodostavat 10 mm ilma-eristyskerroksen (suositeltava).
4. Sisäverhoukseen sopivat 12-16 mm puiset verhouslaudat. Tarkista ennen verhouslautojen asennusta sähkökaapelit ja seinissä olevat kiinnitykset, joita käytetään kiukaan ja lauteiden asennuksen yhteydessä.
5. Lattiasta nousevan kosteuden vuoksi tulee verhouslaudat asentaa vähintään 100 mm lattiasta korkeammalle.
6. Seinän ja katon verhouslautojen välillä on vähintään 5 mm tuuletusrako.
7. Saunan puupinnat on käsiteltävä saunavahalla tai saunaöljyllä, jotta lika ei imeydy puuhun.

Löylyhuoneen katto

Sopivan tehoisen kiukaan käyttämiseksi on löylyhuoneen suositeltu korkeus 2100 mm – 2300 mm. Korkeamman löylyhuoneen tapauksessa on käytännöllistä laskea katto alas, vähentäen sillä löylyhuoneen tilavuutta.

1. Löylyhuoneen sallittu vähimmäiskorkeus **HUUM CLIFF** sähkökiukaan käytön yhteydessä on **2175 mm**.
2. Ylälauteen ja katon välillä täytyy olla 1100 - 1300 mm tilaa.
3. Löylyhuoneen katto on lämmöneristettävä samalla tavalla kuin seinät.

HUOMIO! Seinissä tai katossa lämpösuojan (mineraalilaattojen) käytön yhteydessä on materiaalien väliin jätettävä riittävä tuuletusrako. Laattojen asennus välittömästi seinän tai katon pinnalle saattaa aiheuttaa seinän tai katon materiaalien vaarallisen ylikuumentumisen.

HUOMIO! Tarkista paloturvallisuudesta vastaavilta viranomaisilta, millaisia palomuurin osia saa eristää. Käytössä olevien hormien eristäminen on kielletty!

Löylyhuoneen seinien tummeneminen

Löylyhuoneessa käytetyt puumateriaalit tummenevat ajan myötä korkean lämpötilan vaikutuksesta. Tämä on luonnollinen prosessi, joka ei aiheuta ongelmia ja johtuu tavanomaisesti puunsuojan tummenemisestä. Lisäksi saattaa tummenemistä aiheuttaa kiuaskivistä erottuva ja ilmavirralla nouseva hieno kivipöly. Jos kiukaan asennuksen yhteydessä noudatetaan valmistajan ohjeita, löylyhuoneen palavat materiaalit eivät kuumene vaaralliseen lämpötilaan.

HUOMIO! Löylyhuoneen seinien ja katon pintojen korkein sallittu lämpötila on 140 °C.

Löylyhuoneen lattia

Suurista lämpötilan vaihteluista johtuen rikkoutuvat kiuaskivet ajan myötä. Löylyvedellä joutuvat kivistä erottuvat hiukkaset ja hieno kivipöly saunan lattialle. Kuumat kivenpalat saattavat vahingoittaa kiukaan alla ja lähellä olevia muovipääilystettyjä lattiaita. Kiuaskivien hiukkaset ja löylyveden roiskeet (erityisesti runsasrautaisen veden tapauksessa) voivat imeytyä laatoitetun lattian vaaleaan saumaan.

Lattian alkuperäisen ilmeen säilyttämiseksi on käytännöllistä käyttää kiukaan alla ja ympärillä keraamisia laattoja ja tummaa saumatasotetta.

Saunan ilmanvaihto

Riittävän happitason ja raittiin ilman varmistamiseksi saunassa on saunan ilmanvaihdon oltava mahdollisimman tehokas (ilman pitäisi vaihtua **kuusi kertaa tunnissa**).

Ilmanvaihtoratkaisu riippuu siitä, onko rakennuksessa luonnollinen ilman sisään- ja ulosvirtaus vai onko huoneissa pakkotuuletus.

Saunan ilmanvaihto koostuu vähintään kahdesta ja yleensä kolmesta osasta:

- **Imuputki.** Imuputken läpimitan on oltava \varnothing 50-100mm.
- **Poistoputki.** Poistoputken läpimitan on oltava imuputkea 2x suurempi, \varnothing 100-200mm.
- **Tuuletus.** Jos tuuletusaukko puuttuu, voi saunomisen jälkeen jättää tuuletusta varten oven auki.

Jos saunatiloissa on pakkotuuletus:

1. **Imuputki** kiukaan keskiosassa tai korkeammalla (≥ 400 mm).
2. **Poistoputki** kiukaan vastakkaisessa seinässä (≤ 600 mm lattiasta).
3. **Tuuletusaukko** kiukaan vastakkaisessa seinässä katon alla.

Jos saunatiloissa on luonnollinen ilmanvaihto:

1. **Imu** kiukaan keskiosassa tai korkeammalla (≥ 400 mm)
2. **Poisto** vastakkaisessa seinässä vähintään 200 mm imua korkeammalla (≤ 600 mm lattiasta)
3. **Tuuletusaukko** kiukaan vastakkaisessa seinässä katon alla.

Imu on varustettava säädettävällä venttiilillä.

Jos **poisto** on pesutilassa, on saunatilan oven alle jätettävä vähintään 100 mm rako.

Käytä **tuuletusaukkoa** tuuletukseen saunomisen jälkeen tai löylyjen ottamisen välillä, kun saunassa on ollut runsaasti saunojia ja siitä on aiheutunut liikaa kosteutta tai ilmanpuutetta. Pidä tuuletusaukko saunomisen aikana suljettuna.

KÄYTTÖ

Kiukaan käyttö

HUOMIO! Ennen kiukaan päälle kytkemistä tarkista aina, ettei sen päällä, kohdalla tai lähellä ole mitään esineitä. Tämä voi aiheuttaa tulipalon.

Ennen kiukaan käyttöä tulee asentaa kiukaan ohjausjärjestelmä. Ohjausjärjestelmä ei sisälly toimitukseen. Ennen käyttöä lue valitun ohjausjärjestelmän käyttöohjeet.

Löylyhuoneen lämmitys

Kun kytket kiukaan ensimmäisen kerran päälle, hajua vapautuu sekä lämmityselementeistä että kivistä ja löylyhuone tarvitsee voimakkaan tuuletuksen. Oikealla tavalla lämmöneristetty sauna saavuttaa sopivan tehoisella kiukaalla saunomislämpötilan noin **yhdessä tunnissa**. Kivet lämpenevät löylyn heittämiseen sopivaan lämpötilaan tavallisesti saman ajan sisällä.

Löylyn heittäminen

Kun huone lämpenee, ilma saunassa kuivuu. Löylyhuoneeseen voi lisätä kosteutta heittämällä vettä kuumille kiville. Valitse itsellesi sopiva löylyn heittämisen aikaväli ja veden määrä. Sillä tavalla voit säätää saunan kosteustason ja havaitun lämmön juuri sinulle sopivaksi.

- Yritä heittää vettä vain kiuskiville niin, että se ei joutuisi metallipinnoille.
- Aloita löylyn heittämistä vasta silloin, kun kivet ovat riittävästi lämpeneet ja vesi höyrystyy niistä kokonaan.
- Käytä löylyn heittämiseen vain puhdasta ja lämmintä vettä.
- Suosittelemme heittämään kiville noin 80 ml vettä kerrallaan. Jos haluat lisää löylyä, odota vähän ja heitä lisää vettä muutaman minuutin kuluttua. Näin toimien kivet voivat välillä kuivua ja lämmitä uudelleen.

HUOMIO! Älä koskaan heitä löylyä, kun kiukaan lähellä on henkilöitä, kuuma höyry saattaa aiheuttaa palovammoja.

VAROITUKSIA JA HUOMAUTUKSIA

- **Kiuas on tarkoitettu löylyhuoneen lämmitykseen saunomislämpötilan saavuttamiseksi. Kiuasta ei saa käyttää muihin tarkoituksiin.**
- **Kaikkia erityisosaamista vaativia huoltotöitä saavat suorittaa vain siihen koulutetut asiantuntijat.**
- **Ennen huoltotöiden suorittamista on aina kytkettävä laitteesta virta pois!**
- Ennen sähkökiukaan päälle kytkemistä tarkista aina löylyhuone ja kiuas.
- Käytä vain oikealla tavalla kivillä täytettyä kiuasta.
- Älä peitä kiuasta – tulipalon vaara.
- Älä kosketa lämmitettyä kiuasta, tämä aiheuttaa palovammoja.
- Väärä ilmanvaihto löylyhuoneessa saattaa aiheuttaa puun ylimääräisen kuivumisen ja tulipalon vaaran. Kysy tarvittaessa neuvoa ilmanvaihdon asiantuntijoilta.
- Älä käytä löylyn heittämiseen vesilettoa.
- Käytä saunatuksuja ja saunaöljyä vain löylyveteen lisättynä. Laimentamattomana suoraan kiville kaataminen saattaa aiheuttaa syttymisen vaaran.
- Löylyhuoneen verhouslautojen alle suositellaan asentamaan vähintään 50 mm paksuisen palonkestävän lämmöneristekerroksen.
- Lämmöneristämättömien saunojen yhteydessä kuten valmiina toimitettavat tynnyrisaunat ja ulkosaunat on sopivan tehosen kiukaan valinnan yhteydessä löylyhuoneen tilavuus kerrottava 1,5.
- Saunan ovien on aina avauduttava ulospäin.
- Älä käytä saunaa muihin tarkoituksiin kuin saunomiseen.
- Älä jätä pikkulapsia saunaan vaille valvontaa.
- Terveysongelmista kärsiville ei suositella äkillistä lämpötilan muutosta löylyn jälkeen. Tarvittaessa kysy neuvoa lääkäriltäsi.
- Älä sauno liian pitkään, nauti löylystä niin kauan kuin se tuntuu mukavalta.
- Säilytä ohjeet turvallisessa paikassa.

TAKUU

Yleistä:

- Ostaja on velvollinen lukemaan tuotteen käyttöohjeet ja noudattamaan niissä asetettuja vaatimuksia.
- Takuu ei laajene virheisiin, jotka johtuvat käyttöohjeiden laiminlyönnistä.
- Takuu pätee silloin, kun tuotteessa esiintyy valmistajan syystä aiheutunut valmistusvirhe
- Takuu käsittää tuotteen tai virheellisten komponenttien vaihdon.
- Takuu on voimassa 5 vuotta tuotteen ostopäivästä alkaen.

HUOMIO! Takuun perusteena on ostokuitin/laskun toimittaminen. Takuuvaatimuksen voi esittää edellytyksellä, että tuotetta on käytetty tarkoituksenmukaisesti ja ohjeita noudattaen.

Takuuehdot:

- **HUOMIO!** Takuu ei laajene sähkökiukaan lämmityselementeille, koska ne ovat kuluvia osia
- Takuu ei laajene tuotteen normaalista kulumisesta aiheutuneisiin ongelmiin.
- Takuu ei laajene kiuaskiville.

Takuu ei käsitä virheitä, jotka aiheutuvat:

- Tuotteen kuljetuksesta ja muista sattumallisista vaurioista;
- Tuotteen huolimattomasta tai epätarkoituksenmukaisesta käytöstä ja ylikuormituksesta.
- Tuotteen asennus- ja käyttöohjeiden sekä turvallisuusvaatimusten laiminlyönnistä.

Takuu ei päde:

- Jos tuotetta on korjannut epäpätevä henkilö, tuotteeseen on liitetty siihen kuulumattomia komponentteja tai käytetty valmistajan hyväksymättömiä kuluvia osia (lämmityselementit).
- Tuotteesta puuttuu komponentteja.

Löydä ajankohtaisimmat tiedot verkkosivuiltamme huum.eu

HUUM CLIFF

ELEKTRISK BASTUUGN

Installations- och bruksanvisning

I leveransens uppsättning ingår:

- elektrisk bastuugn;
- justerbara ben (4 stycken)
- tråklossar för att öppna bastuugns lameller (2 stycken)
- installations- och bruksanvisning för elektriska bastuugnen
- HUUM CLIFF Mini uppsättningen innehåller också en platta för ugnens montering på väggen

OBS! Elektriska HUUM CLIFF bastuugnen behöver också ett styrsystem och värmestegar. Produkten måste installeras som en komplett uppsättning.

Denna monterings- och bruksanvisning är avsedd för bastuns ägare eller servicepersonal samt för den elektriker som ansvarar för installationen av bastuaggregatet. Läs bruksanvisningen noggrant innan du använder värmeelementen.

OBS! Elarbeten som beskrivs i denna manual får endast utföras av en certifierad elektriker.

Denna produkt överensstämmer med de enligt standard EN 60335-2-53:2011 fastlagda kraven.

FÖRE BASTUUGNENS INSTALLATION

Innan du installerar bastuugnen, läs genom installationsanvisningen och notera de följande :

- Innan du installerar den elektriska bastuugnen, kontrollera att huvudförsäkringens maximala prestanda motsvarar värmeelementens parametrar.
- Kontrollera om bastuugnens prestanda (kW) motsvarar den beräknade volymen (m³) för ångbadet? Om det i ångbadet finns av oisolerade tegelstenar, plattor, glas eller balkar byggda väggar, måste ytterligare 1,5 m³ läggas till varje kvadratmeter av en sådan vägg i ångbadet. Lämplig prestanda från bastuaggregatet finns i **Tabell 1**.
- Kontrollera om de minimala säkerhetsavstånden har iakttagits på bastuugnens installationsplats? Minsta säkerhetsavstånd mellan ångbadets tak och väggarna finns i **Tabell 1** och på **Figur 1**.

OBS! Tillverkarens garanti gäller inte om bastuugnens prestanda inte motsvarar ångbadets beräknade volym!

INSTALLATION

Bastuugnens placering

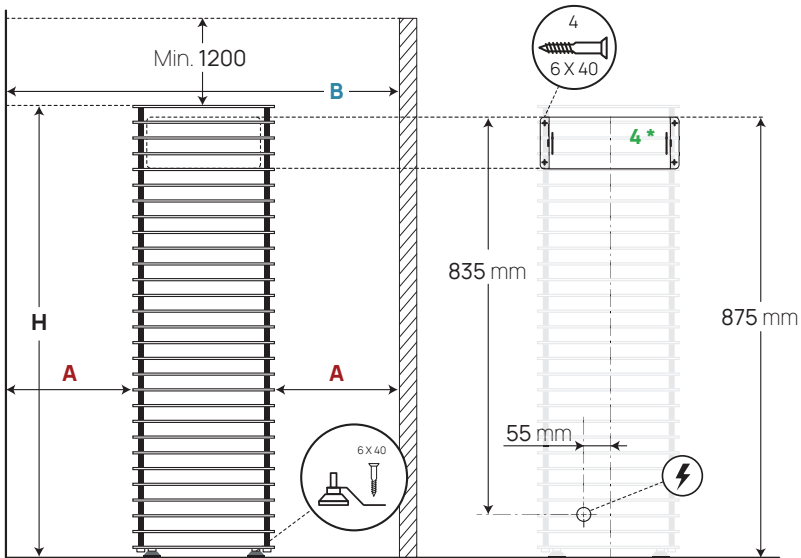
Bastuugnen ska placeras så att säkerhetsavstånden mellan brännbara material och bastuugnens yttre ytor kan upprätthållas

- Kontrollera i **tabell 1** de minsta säkerhetsavstånden mellan bastuugnen och ångbadets tak och väggar.
- Installera bastuaggregatet på ett sådant sätt att dess placering inte orsakar farliga situationer under användning och att möjligheten att oavsiktligt vidröra aggregatet skulle vara så liten som möjligt.
- Strömkabelns ingång måste finnas på bastuugnens golvlock.

Tabell 1.	Prestanda kW	Volym* m ³	Vikt kg	A mm	B mm	H mm	Bredd och djup mm	Säkring A	Strömkabel N x mm ²
CLIFF Mini 4	3,5	3,5-6	15	60	390	975	270/160	16	3 x 2,5
CLIFF 6	6	5-10	16	60	390	975	270/270	10	5 x 2,5
CLIFF 9	9	9-15	16	240	750	975	270/270	16	5 x 2,5
CLIFF 11	10,5	10-17	17	240	750	975	270/270	16	5 x 2,5

* Om det i ångbadet finns av oisolerade tegelstenar, plattor, glas eller balkar byggda väggar, måste ytterligare 1,5 m³ läggas till varje kvadratmeter av en sådan vägg i ångbadet.

- Skruva fast **benen** (4 stycken) som medföljer i förpackningen under bastuugnen. Justera benen så att alla fyra stödjer ugnen jämnt så att den står stabilt.
- Bastuugns modeller **HUUM CLIFF 6, 9 och 11** fästs i golvet med i förpackningen medföljande fästena. Montera fästet på bastuugns bas enligt figur 1 och fäst det med en skruv som passar ditt golv (minst 6 x 40 mm rekommenderas).
- Bastuugnen **HUUM CLIFF Mini 4** ska fästas på väggen med hjälp av den för väggfästning tänkta plattan. Se **Figur 1**.



Figur 1 Bastuugns placering

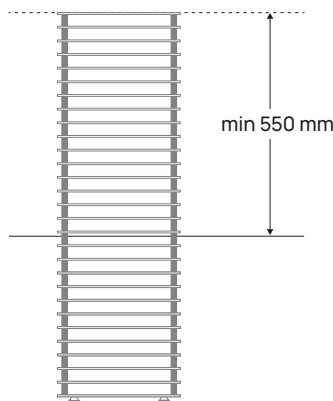
Elektriska bastuugns placering inne i svettbänken

HUUM CLIFF bastuugnen kan även delvis installeras inne i svettbänken eller i bastuns golv.

- Den nedsänkta bastuugnen måste sticka ut minst **550 mm** över svettbänkens yta
- Nedsänkingsflänsen på **HUUM CLIFF** bastuugnen ska användas för att täcka de avskurna kanterna på installationsöppningen

Elektriska HUUM CLIFF bastuugns doppläns är en tilläggsprodukt som kan beställas från återförsäljaren av HUUM-produkter. Till flänsen hör också motsvarande bruksanvisning.

Bastuugns maximala doppomfång visas i **figur 2**.



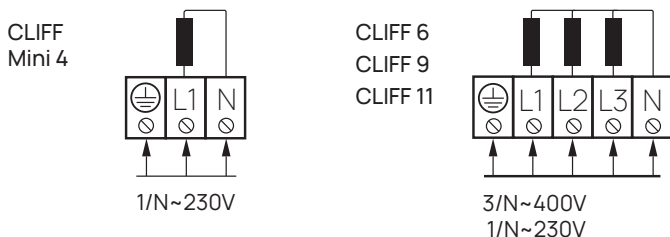
Figur 2. HUUM CLIFF bastuugnens montering i svettbänken

Anslutning till strömnätet

OBS! Bastuugnens får anslutas till strömnätet endast av behörig elektriker.

- Som kabel för anslutning till elnätet får SIHF-JB gummiisolerad kabel eller annan likvärdig kabel användas.
- Se **tabell 1** för kabeltvärsnittsarea och säkringens maximala strömstyrka.
- Det rekommenderas att ansluta enheten till elnätet utan jordfelsbrytare (RCD).

OBS! Det är förbjudet att använda icke värmebeständiga PVC-isolerade kablar som strömkablar. När du använder en kopplingsdosa i ett ångbad måste den vara vattentät och placerad på en höjd av högst 50 cm från golvet.



- Öppna locket till bastuugnens kontrollpanel.
- För in kabeln i växeln genom gummigenomföringen
- Anslut strömkablarna till kopplingsplinten enligt elektriska schemat.
- Stäng locket.
- Fäst kabeln vid uttaget med kabelns band.

Elektriska bastuugnens isolationsmotstånd

Vid bastuugnens första användning kan kabelns isolationsmotstånd visa sig vara under normen. Detta beror på att fukt tränger in i isolerskiktet vid bastuugnens förvaring och transport. Vid uppvärmning av den elektriska bastuvärmeren avdunstar fukten inom 1 - 2 timmar.

Värmesteners placering

Värmesteners mängd:

- **För elektriska HUUM CLIFF bastuugnen** (modeller 6, 9, 11) behövs det **75 kg värmestenaar**
 - **För elektriska HUUM CLIFF Mini bastuugnen** behövs det **60 kg värmestenaar**
 - Lämpliga för HUUM CLIFF bastuugnar är stenar med en **diameter på 3 - 5 cm**.
 - Vi rekommenderar att använda runda stenar som på ett positivt sätt kompletterar bastuugnens design och tillåter en bättre och snabbare rörelse av ångbildande vatten till värmeelementens nedre stenlagren.
 - Som värmestenaar kan användas naturstenar (som olivindiabas, olivin) som säljs specifikt för användning i bastuugn.
 - Användning av dekorativa stenar rekommenderas inte eftersom de inte ackumulerar tillräckligt värme och lätt går sönder. Trasiga stenbitar kan täppa till lufthålen inuti i bastuugnen och orsaka skador på den.
- OBS! Garantin omfattar inte några defekter orsakade av användning av olämpliga stenar i värmeelementen.**
- Det rekommenderas att tvätta stenen under rinnande vatten och rengöra dem från damm innan man lägger dem på plats.

Kraven på stenvägg

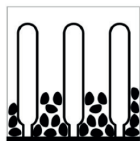
- För att skydda dina händer, använd handskar när du lägger stenarna.
- Lägg stenarna in en i taget och släng dem inte i bastuugnen.
- Börja med större stenar och lägg dem på botten och sidorna. Med mindre stenar kan de stora stenarna fixeras och de smala luckorna kan fyllas.
- Försök att lägga stenarna så nära varandra som möjligt, men så att det finns lite utrymme för luftcirkulation i bastuugnen.

OBS! Lufttunneln får inte fyllas med stenar!

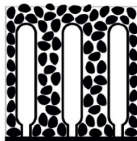
OBS! Se till att lufttunneln och värmeelementens övre delar inte skulle vara synliga mellan stenarna. I det motsatta fallet gäller inte säkerhetsavstånden som anges i tabell 1, eftersom det finns ytterligare värmestrålning på de brännbara ytorna.

- Värmestenaarerna måste kontrolleras en gång om året, de trasiga stenbitarna ska tas bort och stenarna bytas ut vid behov.

OBS! ETT OTILLRÄCKLIGT TÄTT FYLLT STENUTRYMME KAN LEDA TILL BRANDRISK!



1. ❌



2. ✅

1. Till hälften fylld
2. Korrekt placerade stenar

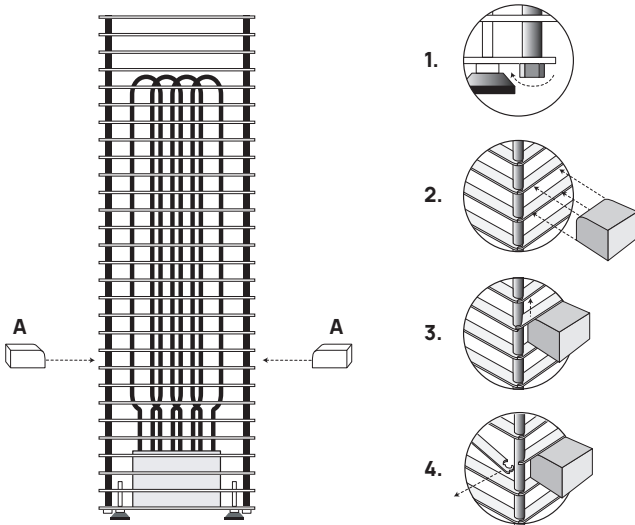
Öppnande av bastuugns lameller

För att göra stenars placering enklare kan bastuugns alla lameller tas bort med hjälp av tråklossar (A). Se **Ritning 3**.

1. Lossa gängstångens muttrarna på bastuugns botten om 5 mm.
2. Skjut tråklossar mellan bastuugns lameller.
3. Lamellen släpps på båda sidor.
4. Lös lamellen försiktigt från dess anslutningspunkt, först från höger sida och sedan från vänstra sidan.
5. På samma sätt kan du ta bort den lamellen som befinner sig under borttagen lamell.

NB! Ta lamellen bort i direkt riktning och utan att vrida den eller utan någon kraftanvändning; detta för att undvika att tapparna böjas!

Vid lamellers tillbakaställande bör du göra detsamma men i omvänd ordning. Lamellen måste anslutas först med vänster och sedan med höger ända.



Figur 3. Öppnande av elektriska HUUM CLIFF bastuugnens lameller

Skyddsbarriärer

För att minska risken för kontakt med en varm bastuugn rekommenderas det att placera skyddsbarriärer runt om ugnen.

- Denna barriär kan byggas själv eller så kan du också använda den speciella tillägsprodukten **“Skyddsbarriär för HUUM CLIFF elektrisk bastuugn”**, som kan köpas hos HUUM-produkter återförsäljare.
- Som material för denna skyddsbarriär rekommenderas att använda material med låg värmekapacitet och dålig värmeledningsförmåga (t.ex. trä).

OBS! Vid användning av brännbara material (t.ex. trä) som skyddsbarriärer måste de föreskrivna minsta säkerhetsavstånden mellan värmeelementen och brännbara konstruktioner följas.

För att minska faran att beröra den hetta bastuugnen rekommenderas det att omgiva bastuugnen med en skyddsbarriär.

Bastuugnens styrning

- Denna produkt är avsedd att användas med elektriska **HUUM UKU** bastuugn eller med ett likvärdigt styrsystem som är konstruerad för användning med utrustning som uppfyller kraven enligt EN 60335-2-53:2011 standard.
- Bastuugnens prestanda måste ligga inom det driftsprestandaområde som anges av tillverkaren av styrenheten.
- Vid installation av styrenheten ska den av tillverkaren utarbetade installations- och bruksanvisningen användas.

ÅNGBADET

Ångbadets isolering och väggars material

För att kunna nå bastuugnsens bäst möjliga prestanda vid användning är det viktigt att tillräckligt isolera alla stora värmebärande väggytor (t.ex. glas- och betongväggar, tegel, puts etc.). Detta förhindrar värmeförlust i ångbadet och bastuugnsens överhettning.

Tillräcklig isolering av ångbadets vägg:

1. Installerat är ett lager av isoleringsmaterial med en tjocklek på 50 - 100 mm (mycket bra lämpliga är skumskivor med ångspärrfilm).
2. På isoleringsskiktet utan ångkontrollskikt finns det aluminiumpapper eller annat reflekterande material. Anslutningspunkter är täckta med folietejp.
3. Det rekommenderas att lämna med hjälp av distanslister en luftspalt på 10 mm lämnas mellan fuktspärren och beklädnadspanelen.
4. För bearbetning av inrytorna kan mycket väl användas träbeklädnadsskivor på t ex 12 - 16 mm är lämpliga. Innan du installerar beklädnadsbrädorna är det nödvändigt att kontrollera strömkablarna och väggförstärkningselementen, som är nödvändiga, till exempel för bastuugnsens och svettbänkens inbyggande.
5. För att undvika att fukt tränger in genom golvet är det bra om avståndet mellan golvet och träramen är minst 100 mm.
6. Ventilationsspalten mellan vägg- och takpaneler måste vara minst 5 mm.
7. Väggens träytor bör behandlas med bastuvax eller olja så att smuts inte kan tränga in i träet.

Ångbadets tak

För att optimera bastuugnsens prestanda bör ångbadets höjd vara 2100 mm - 2300 mm. Om rummet är högre skulle det vara bra att sänka taket för att minska ångbadets volym.

1. Vid elektriska **HUUM CLIFF** bastuugn bör ångbadets minimala tillåtna höjd vara **2175 mm**.
2. Mellan svettbänkens sista steg och taket måste förbli 1100 - 1300 mm.
3. Ångbadet tak måste isoleras på samma sätt som det görs med rummens stenar.

OBS! Vid väggars eller takets beklädnad med värmeisolering (t.ex. med mineralplattor) måste en tillräcklig ventilationsspalt lämnas mellan materialen. Att installera kakel direkt på en vägg eller takyta kan orsaka att vägg- eller takmaterial överhettas farligt

OBS! Kontrollera med din brandskyddsmyndighet vilka delar av brandväggen som kan isoleras. Det är förbjudet att isolera rökgaskanaler under drift!

Ångbadets stenars mörkning

Med tiden kan in ångbadet använda trämaterialen mörkna på grund av den höga temperaturen. Detta är en naturlig och ofarlig process, som till stor del beror på att det använda träskyddsmedlet mörknar. Mörkning kan också orsakas av att det fina stendamm smulas av värmestonar och stiger med luftflödet och med luftflödet. stiger. Om du följer tillverkarens anvisningar när du installerar bastuugnen blir inte brandfarliga material i ångbadet farligt.

OBS! Den högsta tillåtna temperaturen på ångbadets vägg- och takytor får inte överstiga 140 °C.

Ångbadets golv

På grund av stora temperaturfluktuationer smulas även värmestonerna sönder med tiden. Tillsammans med infusionen spolats partiklar som lossnar från stenarna och fint stendamm ut på bastugolvet. Golven täckta med plast kan skadas under bastuaggregatet och nära kaminen. Trasiga stenbitar och stänk av infusion kan (särskilt med vatten som innehåller järn) tränga in i den ljusa fogen på klinkergolvet.

För att undvika estetiska skadors uppkommande är det praktiskt att använda keramiska plattor och mörk fogmassa under och runt bastuugnen.

Bastuns ventilation

För att säkerställa tillräcklig syretillförsel och närvaro av frisk luft måste ventilationen av bastun vara så effektiv som möjligt (luften bör bytas **sex gånger i timmen**).

Lösningen för ventilation av bastun beror på om byggnaden har naturligt luftintag och utlopp eller om rummen har forcerad ventilation.

Bastuns ventilation består av minimaltvå, men som regel av tre komponenter:

- **Lufttillförsel.** Röret för lufttillförsel måste ha en diameter på \varnothing 50 - 100 mm
- **Utsugning.** Diametern på utsugningsröret bör vara två gånger större än diametern på tilloppröret, dvs \varnothing 100-200mm
- **Ventilation.** Om det inte finns någon ventilationsöppning kan dörren efter bastuns användning lämnas öppen för att ventilationen kunde fungera.

Vid en bastu som har tvångsventilation bör:

1. **Lufttillförsel** vara placerad i mitten av bastuugnen eller högre (≥ 400 mm).
2. **Utsugning** måste befinnas sig i motväggen (≤ 600 mm från golvet).
3. **Ventilationsöppning** befinna sig under motväggens tak.

Vid en bastu med självgående ventilation måste:

1. **Lufttillförsel** vara placerad i mitten av bastuugnen eller högre (≥ 400 mm)
2. **Utsugning** måste befinnas sig i motväggen minst 200 mm högre än lufttillförsel (≤ 600 mm från golvet)
3. **Ventilationsöppning** befinna sig under motväggens tak.

Lufttillförselporten bör vara utrustad med en justerbar ventil.

Om **utsugningsöppningen** befinner sig i tvättrummet bör det finnas ett mellanrum på minst 100 mm under basturummets dörr

Använd **ventilationsöppningen** för slutlig ventilation efter du har använt bastun eller mellan badkastning om det har funnits i rummet många människor och om luftfuktigheten är för hög och det är brist på luft. Ventilationsöppningen ska vara stängd om du är i bastun.

ANVÄNDNING

Bastuugnens användning

OBS! Innan du slår på bastuugnen, kontrollera alltid att det inte finns några främmande föremål på, över eller nära den. Detta kan leda till brandrisk.

För att använda bastuugnen måste dess styrsystem vara installerat. Styrsystemet ingår inte i produktsatsen. Före användning, se till att läsa bruksanvisningen för styrsystemet.

Ångbadets uppvärmning

Vid bastuugnens första användning (startande) kommer det en viss lukt från både värmeelementen och stenarna och ångbadet måste ordentligt genomventileras för att få bort det. Med ett ordentligt isolerat basturum och en bastuugn med lämplig prestanda för beträffande rummet tar det ungefär **en timme** att nå rätt temperatur. Stenar värms vanligtvis upp till den för vattens påhållande (badkastning) nödvändiga temperaturen samtidigt med ångbadet.

Badkastning

När rummet värms upp blir luften i bastun torr. Luftfuktigheten i ångbadet kan ökas genom att hälla vatten på de heta stenarna. Genom att välja den frekvens och mängd vatten som passar dig kan du reglera fuktigheten och värmen i bastun just som du vill ha det.

- Försök att hälla vattnet endast på värmestentar och inte på metallytor.
- Börja med badkastning först när de är riktigt varma och vattnet helt har helt avdunstat från deras yta.
- Använd för badkastning endast rent, varmt vatten.
- Det rekommenderas att hälla ca 80 ml vatten på värmestentar åt gången. Om du tycker om badkastning med starkare effekt, vänta bara några minuter och håll samma mängd vatten på stenarna igen. Det gör att stenarna nu kan torka helt ut och varma upp igen

OBS! Håll aldrig vatten på stenarna när någon är i i bastuugnens närhet, eftersom den heta ångan kan orsaka brännskador.

WARNINGAR OCH ANTECKNINGAR

- **Bastuugnen är avsett för att värma ångbadet upp till den temperatur som krävs för att kunna hålla vatten på varma stenar (badkastning). Den får inte användas för något annat ändamål.**
- **Allt underhållsarbete som kräver specialkunskaper ska utföras av en utbildad specialist.**
- **Innan underhållsarbeten utförs måste apparaten kopplas bort från strömförsörjningen.**
- Kontrollera alltid ångbadet och bastuugnen innan du slår värmaren på.
- Bastuugnen får endast användas när det är ordentligt fyllt med stenar.
- Bastuugnen får inte täckas över. Brandrisk!
- Rör inte den uppvärmda bastuugnen. Risk för brännskador!
- Ångbadets felaktiga ventilation kan orsaka överdriven uttorkning av veden och därmed brandrisk i bastun. Vid behov, kontakta en specialist när du planerar ventilationssystemet.
- Använd inte en vattenslang för att hålla vatten på stenar
- Använd bastudofter och oljor endast i vattnet som används för att hålla vatten på stenar. Outspädda dofter och oljor kan lätt antändas på värmestentar.
- Det ska finnas ett minst 50 mm tjockt isolationslager under svettrummetts plankor.
- I fallet med bastur utan värmeisolering, såsom färdiga och kommersiellt tillgängliga fat- och innergårdsbastur, måste svettrummetts volym multipliceras med 1,5 för att bestämma lämplig effekt för bastuaggregatet.
- Bastudörrarna måste öppnas utåt.
- Använd bastun endast ändamålsenligt.
- Små barn får inte lämnas i bastun utan tillsyn.
- Plötslig nedkylning efter badkastning rekommenderas inte för människor med hälsoproblem. Vid behov konsultera läkare.
- Stanna inte för länge i bastun, njut bara av badkastning tills du känner dig bekväm.
- Förvara denna information på en säker plats.

GARANTI

Allmänna bestämmelser:

- Köparen måste noggrant läsa genom produktens bruksanvisning och följa de krav som anges i bruksanvisningen.
- Garantin täcker inte fel som beror på att de användningsregler som beskrivs i manualen inte har följts.
- Garantin gäller om produkten har ett tekniskt fel orsakat av tillverkaren.
- Ersättning innehåller bytet av produkten eller dess komponenter med tillverkningsfel.
- Garantin gäller 5 år från datumet när varan köptes.

OBS! För att garantin kunde beviljas måste man kunna förelägga varans inköpskvitto/faktura. Rätten att göra reklamationer förutsätter att produkten endast använts för avsett ändamål och under avsedda förhållanden

Garantivillkor:

- **OBS!** Garantin täcker inte fel eller skador på elektriska bastuugns värmeelement; de anses vara slitagekomponenter.
- Garantin täcker inte defekter orsakade av normalt slitage på produkten
- Garantin täcker inte värmestentar.

Garantin omfattar inte fel orsakade av:

- Transport av produkten eller annan oavsiktlig skada;
- Slarvig eller felaktig förvaring och användning av produkten samt överbelastning
- Bristande efterlevnad av installations- och driftsinstruktioner och säkerhetskrav.

Garantin omfattar inte skador:

- Om varan har reparerats av en person som inte är behörig att göra det, om främmande detaljer har tillfogats till varan eller om slitagematerial hat använts som inte accepterats av tillverkaren (t.ex. värmare)
- Varan är in fullständig.

Aktuella informationer finns på vår hemsida: huum.eu

HUUM CLIFF

PIEC ELEKTRYCZNY DO SAUNY

Instrukcja montażu i obsługi

Zestaw zawiera:

- piec elektryczny do sauny;
- regulowane nóżki (4 szt.);
- drewniane klocki do demontażu listew do pieca do sauny (2 szt.);
- instrukcję montażu i obsługi elektrycznego pieca do sauny;
- zestaw HUUM CLIFF Mini zawiera płytkę do montażu ściennego.

UWAGA! Piec elektryczny do sauny HUUM CLIFF potrzebuje również panelu sterownika i kamieni do pieca. Produkt należy zainstalować jako kompletny zestaw.

Niniejsza instrukcja montażu i obsługi przeznaczona jest dla właściciela lub wykonawcy prac serwisowych sauny oraz elektryka odpowiedzialnego za montaż pieca. Przed użyciem pieca należy dokładnie zapoznać się z instrukcją obsługi.

UWAGA! Prace elektryczne opisane w niniejszej instrukcji mogą być wykonywane wyłącznie przez uprawnionego elektryka.

Ten produkt został zaprojektowany zgodnie z wymaganiami normy EN 60335-2-53:2011.

PRZED MONTAŻEM

Przed zainstalowaniem pieca należy przeczytać instrukcję montażu i zwrócić uwagę na następujące kwestie:

- Przed zainstalowaniem pieca elektrycznego należy sprawdzić, czy wartość maksymalna prądu wyłącznika głównego odpowiada parametrom pieca.
- Czy moc (kW) pieca odpowiada obliczonej kubaturze (m³) sauny? W przypadku, gdy w saunie znajdują się nieizolowane ściany z cegły, płytek ceramicznych, szkła lub bali, należy dodać do objętości sauny dodatkową objętość 1,5 m³ na każdy metr kwadratowy takiej ściany. Właściwą moc pieca można znaleźć w **Tabeli 1**.
- Czy w miejscu zainstalowania pieca zachowane są minimalne bezpieczne odległości? Minimalne bezpieczne odległości między sufitem a ścianami sauny przy ustawianiu pieca podano w **Tabeli 1** i na **Rysunku 1**.

UWAGA! Gwarancja producenta traci ważność, jeśli moc pieca nie odpowiada obliczonej kubaturze sauny!

MONTAŻ

Ustawianie pieca do sauny

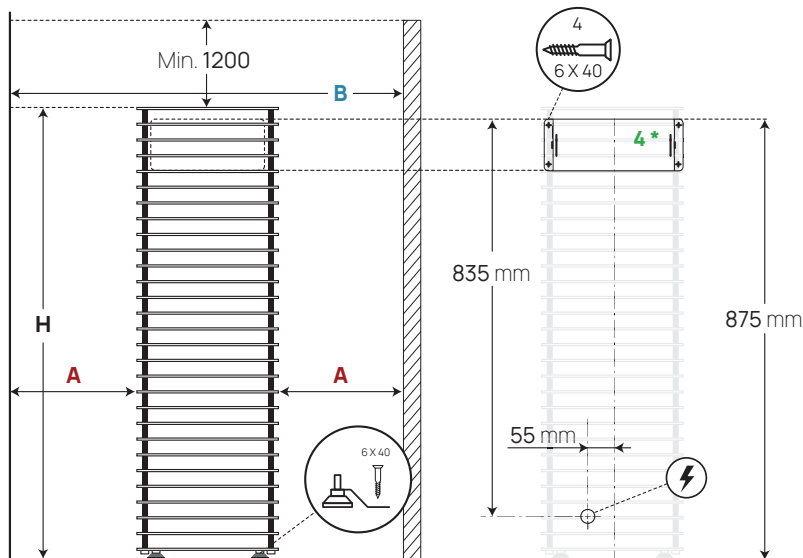
Piec do sauny należy ustawić w taki sposób, aby zachować bezpieczny odstęp pomiędzy materiałami łatwopalnymi a zewnętrznymi powierzchniami pieca.

- Sprawdź w **Tabeli 1** minimalne bezpieczne odległości między piecem a sufitem i ścianami pomieszczenia sauny.
- Piec do sauny musi być zamontowany w taki sposób, aby jego umiejscowienie nie stwarzało niebezpiecznych sytuacji podczas użytkowania, a możliwość przypadkowego dotknięcia pieca była jak najmniejsza.
- Wejście kabla zasilającego znajduje się na dolnej pokrywie pieca.

Tabela 1.	Moc kW	Pomieszczenie* m ³	Waga kg	A mm	B mm	H mm	Szerokość/ Głębokość mm	Bezpiecznik A	Przewód zasilający, N x mm ²
CLIFF Mini 4	3,5	3,5-6	15	60	390	975	270/160	16	3 x 2,5
CLIFF 6	6	5-10	16	60	390	975	270/270	10	5 x 2,5
CLIFF 9	9	9-15	16	240	750	975	270/270	16	5 x 2,5
CLIFF 11	10,5	10-17	17	240	750	975	270/270	16	5 x 2,5

* W przypadku, gdy w saunie znajdują się nieizolowane ściany z cegły, płytek ceramicznych, szkła lub bali, należy dodać do objętości sauny dodatkową objętość 1,5 m³ na każdy metr kwadratowy takiej ściany.

- Przykręcić do pieca **nóżki** dołączone w opakowaniu (4 szt.). Wyregulować nóżki do pieca tak, aby wszystkie cztery były jednakowo podparte, a piec był wypoziomowany.
- **Modele pieca HUUM CLIFF 6, 9 i 11** mocuje się do podłogi za pomocą dołączonych wsporników. Zamontować wspornik do nóżki pieca w sposób pokazany na **Rysunku 1** i przymocować go wkrętem odpowiadającym konstrukcji danej podłogi (zalecane min. 6 x 40 mm).
- **HUUM CLIFF Mini 4** należy przymocować do ściany za pomocą dołączonej do zestawu płytki do montażu ściennego. Patrz **Rysunek 1**.



Rysunek 1. Ustawianie pieca

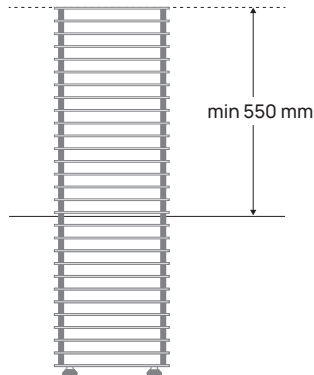
Montaż elektrycznego pieca do sauny wewnątrz ławki do sauny

Piec elektryczny HUUM CLIFF może być również częściowo zainstalowany wewnątrz ławki do sauny lub podłogi sauny.

- Osadzony piec do sauny musi wystawać **co najmniej 550 mm** ponad powierzchnię ławki do sauny.
- Do zakrycia wyciętych krawędzi otworu osadzenia należy użyć kołnierza do osadzenia dla pieca elektrycznego HUUM CLIFF.

Kołnierz do osadzenia dla pieca elektrycznego HUUM CLIFF to dodatkowy produkt, o który można zapytać swojego sprzedawcę produktów HUUM. Do produktu dołączona jest instrukcja obsługi kołnierza do osadzenia.

Maksymalny dopuszczalny stopień osadzenia pieca przedstawiono na **Rysunku 2**.



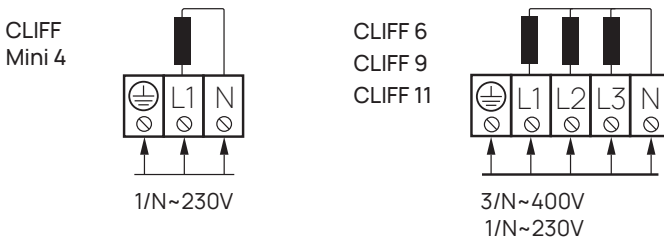
Rysunek 2. Montaż pieca elektrycznego HUUM CLIFF wewnątrz ławki do sauny

Podłączenie pieca do sauny do zasilania elektrycznego

UWAGA! Piec do sauny może być podłączony do zasilania elektrycznego wyłącznie przez uprawnionego elektryka.

- Jako kabel podłączeniowy należy użyć kabla SIHF-JB z izolacją gumową lub równoważnego kabla.
- Pole przekroju poprzecznego kabla i maksymalne natężenie prądu bezpiecznika podano w **Tabeli 1**.
- Zaleca się podłączenie urządzenia do sieci bez wyłącznika różnicowoprądowego (RCD).

UWAGA! Zabrania się stosowania jako przewodu zasilającego kabla nieodpornego na działanie wysokich temperatur z izolacją PVC. W przypadku korzystania z puszek rozgałęźnej w pomieszczeniu sauny musi ona być wodoodporna i umieszczona na maksymalnej wysokości 50 cm od podłogi.



- Otworzyć pokrywę skrzynki elektrycznej pieca.
- Doprowadzić kabel zasilający do puszek elektrycznej przez gumową przelotkę.
- Podłączyć przewód zasilający do listwy zaciskowej zgodnie ze schematem połączeń.
- Zamknąć pokrywę.
- Przymocować kabel do wyjścia za pomocą opaski kablowej.

Rezystancja izolacji elektrycznego pieca do sauny

Podczas pierwszego użycia pieca rezystancja izolacji kabla może przy mierzeniu chwilowo okazać się niższa od normy. Spowodowane jest to przedostawaniem się wilgoci do warstwy izolacyjnej podczas przechowywania i transportu pieca. Wilgoć odparowuje w ciągu 1-2 godzin nagrzewania pieca elektrycznego.

Układanie kamieni do pieca

Ilość kamieni do pieca:

- **Piec elektryczny do sauny HUUM CLIFF** (modele 6, 9 i 11)
potrzebuje **75 kg kamieni**
 - **Piec elektryczny do sauny HUUM CLIFF Mini**
potrzebuje **60 kg kamieni**
 - Do pieców **HUUM CLIFF** nadają się kamienie o **średnicy 3-5 cm**.
 - Zalecamy stosowanie okrągłych kamieni, które uzupełniają konstrukcję pieca i umożliwiają swobodny przepływ gorącej wody do dolnych warstw kamieni w piecu.
 - Na kamienie do pieca nadają się naturalne kamienie (np. diabaz oliwinu, oliwin), które są sprzedawane specjalnie do stosowania w piecach.
 - Zalecamy unikanie kamieni ozdobnych, ponieważ nie gromadzą one wystarczającej ilości ciepła i łatwo pękają. Odłamki kamieni mogą zablokować otwory wentylacyjne wewnątrz pieca i uszkodzić elementy grzejne.
- UWAGA!** Gwarancją nie są objęte wady spowodowane użyciem w piecu nieodpowiednich kamieni.
- Przed ułożeniem zalecamy opłukanie kamieni z kurzu pod bieżącą wodą.

Wymagania dotyczące układania kamieni

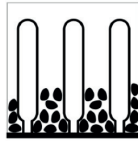
- Używaj rękawic, aby chronić ręce podczas układania kamieni.
- Układaj kamienie jeden po drugim, nie wrzucaj ich do pieca.
- Zaczynj od większych kamieni, umieszczając je na dnie i po bokach. Mniejszymi kamieniami można wesprzeć duże kamienie i wypełnić węższe szczeliny.
- Postaraj się ułożyć kamienie jak najciaśniejszej, ale w taki sposób, aby było trochę miejsca na ruch powietrza w piecu.

UWAGA! Tunel powietrzny nie może być wypełniony kamieniami!

UWAGA! Należy upewnić się, że tunel powietrzny i górne końce elementów grzejnych nie są widoczne między kamieniami. W przeciwnym razie bezpieczne odległości podane w Tabeli 1 nie mają zastosowania, ponieważ na powierzchniach łatwopalnych powstaje dodatkowe promieniowanie ciepła.

- Raz w roku należy sprawdzić stan kamieni do pieca, usuwać pokruszone kawałki kamienia i w razie potrzeby wymienić kamienie.

UWAGA! JEŚLI POJEMNIK NA KAMIENIE NIE JEST NAPEŁNIONY WYSTARCZAJĄCO CIASNO, GROZI TO POŻAREM!



1. ❌



2. ✅

1. W połowie wypełnione
2. Prawidłowo ułożone kamienie

Usuwanie żeber pieca do sauny

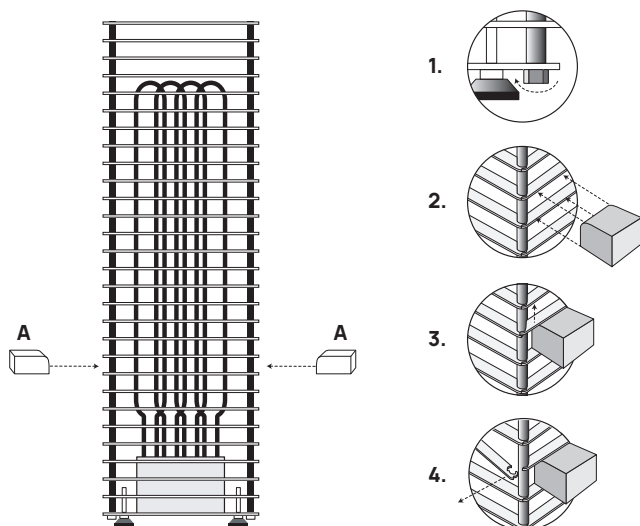
Aby uprościć układanie kamieni, wszystkie żebra pieca do sauny można wyjmować za pomocą drewnianych klocek (A). Patrz **Rysunek 3**.

1. W dolnej części pieca poluzować nakrętki pręta gwintowanego o 5 mm.
2. Wsunąć drewniane klocki między żebrami pieca.
3. Zwolnić żebro z obu stron.
4. Ostrożnie wyjąć żebro ze złącza, najpierw z prawego, a następnie z lewego końca.
5. W ten sam sposób można od razu usunąć żebro znajdujące się pod usuniętym żebrem.

UWAGA! Odciągnąć żebro od pieca bez użycia siły ani obracania żebra, aby uniknąć wygięcia czopów.

Aby wstawić żebra z powrotem na miejsce, czynność należy wykonać w odwrotnej kolejności.

Żebro musi być przymocowane do złącza najpierw od lewej, a następnie od prawej strony.



Rysunek 3. Usuwanie żeber elektrycznego pieca do sauny HUUM CLIFF

Barierki ochronne

W celu zmniejszenia ryzyka kontaktu z gorącym piecem zaleca się zamontowanie wokół pieca barierki ochronnej.

- Barierkę ochronną można zbudować samodzielnie lub skorzystać ze specjalnego produktu dodatkowego – **barierki ochronnej do pieca elektrycznego HUUM CLIFF**, o który możesz poprosić dystrybutora produktów marki HUUM.
- Zalecamy użycie materiałów o niskiej pojemności cieplnej i słabej przewodności cieplnej na barierkę ochronną (np. drewno).

UWAGA! W przypadku zastosowania materiałów łatwopalnych (np. drewna) do budowy barierki ochronnej należy pozostawić określone minimalne odstępy bezpieczeństwa pomiędzy piecem a konstrukcjami łatwopalnymi.

Sterowanie piecem do sauny

- Produkt ten przeznaczony jest do współpracy z systemem sterowania elektrycznymi piecami do sauny **HUUM UKU** lub równorzędnym systemem sterowania przeznaczonym do współpracy z urządzeniami spełniającymi wymagania normy EN 60335-2-53:2011.
- Moc pieca musi pozostawać w przedziale określonym przez producenta przez producenta urządzenia sterującego.
- Podczas instalacji urządzenia sterującego należy postępować zgodnie z instrukcją montażu i obsługi przygotowaną przez producenta urządzenia.

POMIESZCZENIE SAUNY

Izolacja sauny i materiały ściennie

Aby zoptymalizować wykorzystanie pieca w saunie ogrzewanej elektrycznie, ważne jest odpowiednie zaizolowanie wszystkich dużych powierzchni ścian akumulujących ciepło (np. ścian ze szkła i betonu, cegły, tynk itp.). Zapobiega to utracie ciepła w saunie i przegrzaniu pieca.

Wystarczająca izolacja ściany pomieszczenia sauny:

1. Ułożyć warstwę materiału izolacyjnego o grubości 50-100 mm (odpowiednie są piankowe płyty izolacyjne pokryte folią paroizolacyjną).
2. Na materiale izolacyjnym bez warstwy paroizolacyjnej znajduje się papier aluminiowy lub inny materiał odbijający światło. Połączenia są zaklejone taśmą foliową.
3. Pomiędzy izolacją przeciwwilgociową a deskowaniem za pomocą listew dystansowych pozostawić szczelinę powietrzną o szerokości 10 mm (zalecane).
4. Do wykończenia wnętrza sauny nadaje się np. deska drewniana o grubości ok. 12–16 mm. Przed montażem desek należy sprawdzić przewody elektryczne oraz wzmocnienia w ścianach, które są niezbędne do zamontowania pieca i ławki do sauny.
5. Aby uniknąć wilgoci pochodzącego z podłogi, odległość deskowania od podłogi powinna wynosić co najmniej 100 mm.
6. Pomiędzy deskami ściennymi i sufitowymi należy zachować szczelinę wentylacyjną o szerokości co najmniej 5 mm.
7. Drewniane powierzchnie sauny należy pokryć woskiem lub olejem do sauny, aby brud nie wniknął w drewno.

Sufit sauny

Aby zoptymalizować moc pieca, zalecana wysokość sauny to 2100–2300 mm. W przypadku większej wysokości sauny, praktyczne byłoby obniżenie sufitu, zmniejszając w ten sposób kubaturę sauny.

1. Minimalna dopuszczalna wysokość sauny dla pieca elektrycznego **HUUM CLIFF** wynosi **2175 mm**.
2. Między ostatnim poziomem ławki do sauny a sufitem należy pozostawić 1100-1300 mm.
3. Sufit pomieszczenia sauny należy zaizolować podobnie jak ściany pomieszczenia.

UWAGA! W przypadku pokrywania ścian lub sufitu termoizolacją (np. płytkami mineralnymi) należy pozostawić odpowiednią szczelinę wentylacyjną między materiałami. Montaż płytek bezpośrednio na powierzchni ściany lub sufitu może spowodować niebezpieczne przegrzanie materiałów ścian lub sufitu.

UWAGA! Sprawdzić u władz odpowiedzialnych za bezpieczeństwo przeciwpożarowe, które części ściany ogniowej można zaizolować. Zabrania się izolowania używanych przewodów kominowych!

Zaciemnienie ścian sauny

Z biegiem czasu drewniane materiały użyte w pomieszczeniu sauny mogą zacząć ciemnieć z powodu wysokiej temperatury. Jest to naturalny proces, który nie stanowi zagrożenia i wynika głównie z ciemnienia zastosowanego środka do konserwacji drewna. Ciemnienie może być również spowodowane drobnym pyłem kamiennym osypującym się z kamieni do pieca i unoszącym się wraz z przepływem powietrza. Stosując się do zaleceń producenta podczas instalacji pieca, łatwopalne materiały w saunie nie będą się niebezpiecznie nagrzewać.

UWAGA! Najwyższa dopuszczalna temperatura powierzchni ścian i sufitu sauny wynosi 140 °C.

Podłoga sauny

Ze względu na duże wahania temperatury kamienie do pieca z czasem kruszą się. Wraz z parą wodną cząsteczki uwolnione z kamieni i drobny pył kamienny są sputkiwane na podłogę sauny. Odłamki gorących kamieni mogą uszkodzić podłogę wykonaną z tworzyw sztucznych pod piecem i w jego pobliżu. Kawałki kamieni do pieca i rozpryski wody wytwarzającej parę (zwłaszcza w przypadku np. wody bogatej w żelazo) mogą zostać wchłonięte przez jasną spoinę posadzki z płytek.

Aby zapobiec uszkodzeniom estetycznym, praktyczne jest stosowanie płytek ceramicznych i zaprawy do spoinowania pod i wokół pieca w ciemnych kolorach.

Wentylacja sauny

Aby zapewnić wystarczający dopływ tlenu i świeżego powietrza, wentylacja sauny musi być jak najbardziej skuteczna (powietrze powinno wymieniać się sześć razy na godzinę).

Rozwiązanie wentylacyjne uzależnione jest od tego, czy budynek posiada naturalny dopływ i odpływ powietrza, czy też pomieszczenia posiadają wentylację wymuszoną.

Wentylacja sauny składa się z co najmniej dwóch, z reguły trzech części:

- **Nawiew.** Średnica rury nawiewnej powinna wynosić \varnothing 50–100 mm.
- **Wyciąg.** Średnica rury wyciągowej powinna być 2 x większa niż nawiewnej, \varnothing 100–200 mm.
- **Napowietrzanie.** W przypadku braku otworu napowietrzającego, drzwi można pozostawić otwarte w celu napowietrzania po wyjściu z sauny.

W przypadku sauny z wentylacją wymuszoną należy umieszczać:

1. **nawiew** – w centralnej części pieca do sauny lub wyżej (≥ 400 mm);
2. **wyciąg** – w ścianie naprzeciwko pieca do sauny (≤ 600 mm od podłogi);
3. **otwór napowietrzający** – w ścianie naprzeciwko pieca do sauny pod sufitem.

W przypadku sauny z wentylacją grawitacyjną należy umieszczać:

1. **nawiew** – w centralnej części pieca do sauny lub wyżej (≥ 400 mm);
2. **wyciąg** – w ścianie naprzeciwko pieca do sauny, co najmniej 200 mm wyżej niż nawiew (≤ 600 mm od podłogi);
3. **otwór napowietrzający** – w ścianie naprzeciwko pieca do sauny pod sufitem.

Otwór nawiewny musi być wyposażony w regulowany zawór.

Jeżeli **otwór wylotowy** znajduje się w pomieszczeniu do mycia, pod drzwiami do sauny musi być szczelina o szerokości co najmniej 100 mm.

Otwór napowietrzający służy do ostatecznego wietrzenia po wyjściu z sauny lub pomiędzy seansami parowymi, jeśli w pomieszczeniu przebywało jednocześnie wiele osób i występuje nadmierna wilgotność lub brak powietrza. Podczas korzystania z sauny otwór napowietrzający powinien być zamknięty.

UŻYWANIE

Korzystanie z pieca do sauny

UWAGA! Przed włączeniem pieca należy zawsze sprawdzić, czy na piecu, nad nim lub w jego pobliżu nie ma ciał obcych. Może to spowodować zagrożenie pożarowe.

Aby korzystać z pieca do sauny, należy zainstalować system sterowania piecem. Układ sterowania nie wchodzi w skład zestawu pieca. Przed użyciem należy koniecznie przeczytać instrukcję obsługi wybranego urządzenia sterującego.

Nagrzewanie sauny

Gdy piec do sauny jest włączany po raz pierwszy, zarówno z elementów grzejnych, jak i kamieni wydobywa się nieprzyjemny zapach, w celu usunięcia którego należy mocno przewietrzyć saunę. W przypadku właściwie zaizolowanej sauny i pieca o odpowiedniej mocy do pomieszczenia, osiągnięcie odpowiedniej temperatury zajmuje **około godziny**. Z reguły kamienie nagrzewają się do temperatury odpowiedniej do ich polewania wodą w tym samym czasie co sauna.

Polewanie kamieni wodą

W miarę nagrzewania się pomieszczenia powietrze w saunie staje się suche. Wilgotność powietrza w saunie można zwiększyć przez polewanie wodą gorących kamieni. Wybierając odpowiednią częstotliwość i ilość wody potrzebną do polewania kamieni, możesz dostosować wilgotność powietrza i odczuwalne ciepło sauny do własnych upodobań.

- Staraj się polewać wodą tylko kamienie do pieca, a nie powierzchnie metalowe.
- Rozpocznij polewanie kamieni wodą dopiero wtedy, gdy kamienie są odpowiednio gorące, a woda z nich całkowicie wyparuje.
- Do polewania kamieni używaj tylko czystej i ciepłej wody.
- Zalecamy jednorazowo wylewać na kamienie około 80 ml wody. Jeśli chcesz uzyskać więcej pary, odczekaj kilka minut, a następnie ponownie dodaj tę samą ilość wody. Dzięki temu kamienie wysychają i ponownie się nagrzewają.

UWAGA! Nigdy nie polewaj kamieni wodą, gdy ktoś znajduje się w pobliżu pieca, ponieważ gorąca para może spowodować oparzenia.

OSTRZEŻENIA I UWAGI

- **Piec do sauny przeznaczony jest do podgrzewania sauny do temperatury potrzebnej do wytwarzania pary. Nie wolno go używać do żadnych innych celów.**
- **Wszelkie prace konserwacyjne wymagające specjalnych umiejętności muszą być wykonywane przez przeszkolonego specjalistę.**
- **Przed przystąpieniem do prac konserwacyjnych należy zawsze odłączyć urządzenie od zasilania!**
- Przed włączeniem elektrycznego pieca do sauny należy zawsze sprawdzić pomieszczenie sauny i piec.
- Piec może być używany tylko wtedy, gdy został prawidłowo napełniony kamieniami.
- Nie należy przykrywać pieca – grozi to pożarem.
- Nie należy dotykać nagrzanego pieca, może to spowodować oparzenia.
- Niewłaściwa wentylacja sauny może nadmiernie wysuszyć drewno i stworzyć zagrożenie pożarem w saunie. W razie potrzeby należy poprosić eksperta o poradę przy planowaniu wentylacji.
- Nigdy nie należy wytwarzać pary za pomocą węża wodnego.
- Używać zapachów i olejków eterycznych do sauny tylko w wodzie parowej. Wylewanie ich w postaci nierozcieńczonej bezpośrednio na kamienie może spowodować ich zapalenie.
- Pod deskowaniem zaleca się zamontować warstwę ognioodpornej izolacji cieplnej o grubości co najmniej 50 mm.
- W przypadku saun nieocieplonych, np. różnych gotowych saun beczkowych i zewnętrznych, obliczoną objętość pomieszczenia sauny należy pomnożyć przez 1,5, aby określić odpowiednią moc pieca.
- Drzwi sauny muszą zawsze otwierać się na zewnątrz.
- Nie należy używać sauny do celów, do których nie jest przeznaczona.
- Nie należy pozostawiać w saunie małych dzieci bez opieki.
- Nagłe ochłodzenie po pobycie w saunie nie jest zalecane dla osób o złym stanie zdrowia. W razie potrzeby należy skonsultować się z lekarzem.
- Nie należy przebywać w saunie zbyt długo – z sauny należy korzystać tak długo na ile czujesz się komfortowo.
- Zachować te informacje w bezpiecznym miejscu.

GWARANCJA

Postanowienia ogólne:

- Kupujący jest zobowiązany do zapoznania się z instrukcją obsługi wyrobu oraz przestrzegania przedstawionych w niej wymagań.
- Gwarancja nie obejmuje awarii wynikających z nieprzestrzegania zasad obsługi podanych w instrukcji.
- Gwarancja obowiązuje w przypadku, gdy produkt posiada wadę techniczną lub błąd powstały z winy producenta.
- Gwarancja obejmuje wymianę produktu lub części z wadami fabrycznymi.
- Długość okresu gwarancji wynosi 5 lat od daty zakupu produktu.

UWAGA! Podstawą gwarancji jest przedstawienie dowodu zakupu/faktury. Prawo do reklamacji przysługuje pod warunkiem, że produkt był używany wyłącznie zgodnie z jego przeznaczeniem i przewidzianymi dla niego warunkami.

Warunki gwarancji:

- **UWAGA!** Gwarancja nie obejmuje elementów grzejnych elektrycznych pieców do sauny. Są uważane za części eksploatacyjne.
- Gwarancja nie obejmuje wad spowodowanych normalnym zużyciem produktu.
- Gwarancja nie obejmuje kamieni do pieca.

Gwarancja nie obejmuje uszkodzeń spowodowanych przez:

- transport i inne przypadkowe uszkodzenia produktu;
- wady powstałe w wyniku niedbałego lub niewłaściwego przechowywania i użytkowania produktu oraz jego przeciążenia;
- nieprzestrzeganie instrukcji montażu i obsługi produktu oraz wymogów bezpieczeństwa.

Gwarancja nie obowiązuje w przypadku, gdy:

- produkt został naprawiony przez osobę nieupoważnioną, dodano części nie należące do produktu lub zastosowano materiały eksploatacyjne nieakceptowane przez producenta (np. elementy grzejne);
- kompletność produktu nie jest całkowita.

Znajdź najbardziej aktualne materiały na naszej stronie internetowej: huum.eu

HUUM CLIFF

ЭЛЕКТРОКАМЕНКА

Инструкция по монтажу и эксплуатации

В комплект поставки входит:

- электрокаменка;
- регулируемые ножки (4 шт.);
- деревянные бруски для снятия ребер каменки (2 шт.);
- инструкция по монтажу и эксплуатации электрокаменки.
- В комплект HUUM CLIFF Mini входит панель для крепления каменки к стене.

ВНИМАНИЕ! Для электрокаменки HUUM CLIFF также необходимы система управления и камни. Электрокаменку следует устанавливать в комплекте с элементами, необходимыми для ее нормальной работы.

Настоящая инструкция по монтажу и эксплуатации составлена для владельцев и обслуживающего персонала сауны, а также электрика, ответственного за установку каменки. Перед тем, как приступить к эксплуатации каменки следует внимательно ознакомиться с ее инструкцией по эксплуатации.

Внимание! Описанные в настоящей инструкции электрические работы должны выполняться только сертифицированным электриком.

Настоящее изделие спроектировано в соответствии с требованиями стандарта EN 60335-2-53:2011

ПЕРЕД МОНТАЖОМ

Перед монтажом каменки прочтите инструкцию по монтажу и обратите внимание на следующее:

- Перед установкой электрокаменки проверьте, соответствуют ли параметрам каменки максимальная сила тока главного предохранителя.
- Соответствует ли мощность каменки (кВт) расчетному объему парной (м³)? Если в парной есть неизолированные кирпичные, кафельные, стеклянные или бревенчатые стены, к ее объему следует добавить 1,5 м³ на каждый квадратный метр такой стены. Подходящую мощность каменки можно найти в **Таблице 1**.
- Обеспечены ли минимальные безопасные расстояния в месте установки каменки? Минимальные безопасные расстояния до потолка и стен в парном помещении при размещении электрокаменки указаны в **Таблице 1** и на **Рисунке 1**.

ВНИМАНИЕ! Гарантия производителя не действует, если мощность каменки не соответствует расчетному объему парной!

МОНТАЖ

Размещение каменки

Каменка должна быть размещена на безопасном удалении от горючих материалов.

- Проверьте по **Таблице 1** минимальные безопасные расстояния между каменкой и потолком, а также стенами парной.
- Установите каменку так, чтобы место ее расположения не создавало опасных ситуаций во время ее эксплуатации, а возможность случайного прикосновения к каменке была сведена к минимуму.
- Вход для кабеля питания расположен в основании каменки.

Таблица 1.	Мощность кВт	Кубатура* м ³	Вес кг	A мм	B мм	H мм	Ширина/ Глубина мм	Предо- хранитель А	Кабель питания N x мм ²
CLIFF Mini 4	3,5	3,5-6	15	60	390	975	270/160	16	3 x 2,5
CLIFF 6	6	5-10	16	60	390	975	270/270	10	5 x 2,5
CLIFF 9	9	9-15	16	240	750	975	270/270	16	5 x 2,5
CLIFF 11	10,5	10-17	17	240	750	975	270/270	16	5 x 2,5

* Если в парной есть неизолированные кирпичные, кафельные, стеклянные или бревенчатые стены, к ее объему следует добавить 1,5 м³ на каждый квадратный метр такой стены.

- Прикрутите ее к каменке входящие в его комплект **ножки** (4 шт.). Отрегулируйте ножки каменки так, чтобы каменка находилась в вертикальном положении.
- Модели **HUUM CLIFF 6, 9 и 11** крепятся к полу с помощью включенных в комплект кронштейнов. Установите кронштейн на ножку каменки, как показано **на рис. 1**, и закрепите его винтом (рекомендуется мин. 6 x 40 мм), соответствующим конструкции вашего пола.
- Прикрепите модель **HUUM CLIFF Mini 4** к стене парной с помощью панели для крепления к стене, входящей в комплект поставки. См. **Рисунок 1**.

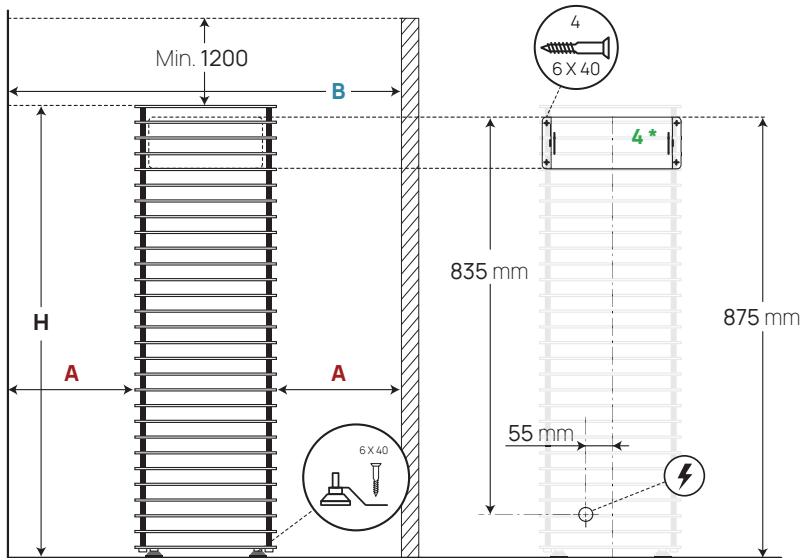


Рисунок 1. Размещение каменки

Установка электрокаменки в банном полке

Электрокаменку **HUUM CLIFF** также можно установить, частично погрузив в полку или пол сауны.

- частично погруженная каменка должна выступать над поверхностью полки **не менее чем на 550 мм**;
- для покрытия краев погружного отверстия используйте фланец **HUUM CLIFF**.

Фланец HUUM CLIFF является дополнительной принадлежностью, которую можно запросить у продавца продукции **HUUM**. Инструкция по установке фланца приложена к каменке.

Максимально допустимая степень погружения каменки указана на **рисунке 2**.

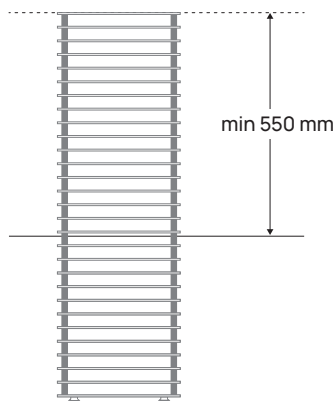


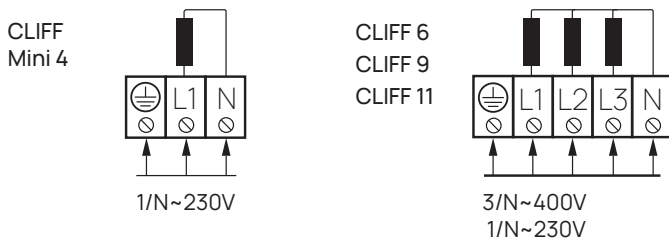
Рисунок 2. Установка электрокаменки HUUM CLIFF в банном полке

Подключение к электросети

ВНИМАНИЕ! Подключать каменку к электросети должен сертифицированный электрик.

- В качестве соединительного кабеля следует использовать кабель SIHF-JB с резиновой изоляцией или его аналог.
- Площадь поперечного сечения кабеля и максимальная сила тока предохранителя указаны в **Таблице 1**.
- Подключать каменку к сети рекомендуется без устройства дифференциального тока (RCD).

ВНИМАНИЕ! Запрещается использовать в качестве кабеля питания каменки нетермостойкий кабель с ПВХ-изоляцией. При использовании в парной ответвительной коробки она должна быть водонепроницаемой и располагаться на высоте не более 50 см от пола.



- Откройте крышку электрической коробки каменки.
- Подведите кабель в распределительную коробку через прорезиненный проход.
- Подключите кабель питания к клеммной колодке в соответствии с электрической схемой.
- Закройте крышку.
- Прикрепите кабель к дну каменки с помощью кабельной стяжки.

Сопrotивление изоляции электрокаменки

При первом использовании каменки замер сопротивления изоляции кабеля может временно оказаться ниже нормы. Причиной этого может быть влага, проникшая в слой изоляции во время хранения каменки на складе и ее транспортировки. Эта влага испарится за 1-2 часа нагрева электрокаменки.

Укладка камней в каменку

Количество камней:

- Для электрокаменки HUUM CLIFF (модели 6, 9 и 11) требуется **75 кг камней**.
 - Для электрокаменки HUUM CLIFF Mini требуется **60 кг камней**.
 - Для каменок HUUM CLIFF подойдут камни с поперечником 3-5 см.
 - Рекомендуем использовать круглые камни, гармонирующие с дизайном каменки. Кроме того, вода стекает по ним до нижнего слоя беспрепятственно.
 - Для сауны подходят имеющиеся в продаже природные камни, (например, оливин-диабаз, оливин), предназначенные для использования в каменках.
 - Рекомендуем использовать круглые камни, гармонирующие с дизайном каменки. Кроме того, вода стекает по ним до нижнего слоя беспрепятственно.
 - Для сауны подходят имеющиеся в продаже природные камни, (например, оливин-диабаз, оливин), предназначенные для использования в каменках.
 - Не рекомендуется использовать декоративные камни, поскольку они не накапливают достаточно тепла, также легко трескаются и ломаются. Каменные осколки, в свою очередь, могут перекрыть доступ для воздуха внутри каменки, чем повредить нагревательные элементы.
- Внимание! Гарантия не распространяется на дефекты, вызванные использованием в каменке несоответствующих камней.**
- Перед укладкой рекомендуется промыть камни под проточной водой.

Требования к укладке камней

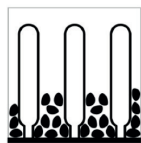
- При укладке камней используйте перчатки для защиты рук.
- Укладывайте камни один за другим, не ссыпайте и не бросайте их в каменку.
- Начинать укладку с крупных камней и размещайте их на дне и по бокам каменки. Камнями меньшего размера заклиньте большие камни, а также заполните узкие зазоры.
- Старайтесь укладывать камни как можно плотнее, но так, чтобы оставить в каменке проходы для воздуха.

ВНИМАНИЕ! Запрещается заполнять камнями воздуховод!

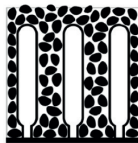
ВНИМАНИЕ! Следите за тем, чтобы воздуховод и верхние концы нагревательных элементов не были видны между камнями. В противном случае безопасные расстояния, указанные в таблице 1, не будут применимы, поскольку на близлежащие горючие материалы будет воздействовать дополнительное тепловое излучение.

- Раз в год проверяйте состояние камней в каменке, убирайте каменную крошку и осколки, а при необходимости заменяйте камни.

ВНИМАНИЕ! В СЛУЧАЕ СЛИШКОМ РАЗРЕЖЕННОЙ УКЛАДКИ КАМНЕЙ КАМЕНКА МОЖЕТ БЫТЬ ПОЖАРООПАСНОЙ!



1. 



2. 

1. Заполнено наполовину
2. Правильно уложенные камни

Снятие ребер жесткости с корпуса каменки

Чтобы упростить установку камней, все ребра жесткости каменки можно снять с помощью деревянных брусков (А). См. **Рисунок 3**.

1. В основании каменки ослабьте гайки на стойках с резьбой примерно на 5 мм.
2. Вставьте деревянные бруски между ребрами каменки.
3. Аккуратно снимите ребро, – вначале с правого, а затем с левого конца.
4. Таким же образом снимите ребро, расположенное ниже снятого перед этим.

ВНИМАНИЕ! Снимайте ребра жесткости, не перекручивая их и не применяя силу, чтобы не погнуть штифты!

Установите ребра жесткости на место в обратном порядке.

Установку следует начинать сначала с левого, а затем с правого конца.

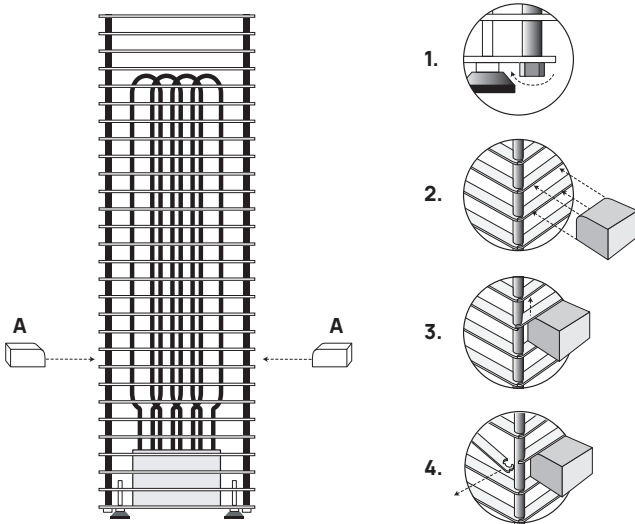


Рисунок 3. Снятие ребер жесткости каменки HUUM CLIFF

Ограждения

Для снижения риска ожога в результате контакта с разогретой каменкой желательнее установить вокруг нее соответствующее ограждение.

- Изготовить ограждение можно самостоятельно или воспользоваться специальным **ограждением для электрокаменки HUUM CLIFF**, которое можно запросить у перепродавца продукции HUUM.
- Изготавливать ограждение рекомендуется из материалов с низкой теплоемкостью и плохой теплопроводностью (например, из древесины).

ВНИМАНИЕ! При использовании ограждения из горючих материалов (например, из древесины) следует обязательно соблюдать предусмотренные минимальные безопасные расстояния между каменкой и горючими конструкциями.

Управление каменкой

- Настоящее изделие предназначено для использования вместе с системой управления электрокаменками **HUUM UKU** или с аналогичной системой управления, предназначенной для работы с оборудованием, соответствующим требованиям стандарта EN 60335-2-53:2011.
- Мощность каменки должна оставаться в диапазоне рабочих мощностей, установленным производителем устройства управления.
- При установке устройства управления необходимо следовать инструкции по монтажу и эксплуатации, составленной производителем.

ПАРНАЯ

Теплоизоляция парной и материалы для стен

Чтобы использовать каменку оптимальной мощности в сауне с электрическим обогревом, важно надлежащим образом изолировать все большие, накапливающие тепло поверхности стен (например, стены из стекла, бетона, кирпича, оштукатуренные стены и т.д.), что предотвратит потери тепла в помещении сауны и перегрев каменки.

Достаточное утепление стен в парной:

1. Слой теплоизоляционного материала толщиной 50-100 мм (подойдут плиты из вспененного материала, покрытые пароизоляционной фольгой).
2. Теплоизоляционный материал без слоя пароизоляции, покрытый алюминиевой бумагой или другим, отражающим тепловое излучение материалом. Штыки закрываются фольгированной лентой.
3. Между влагоизоляционным материалом и вагонкой рекомендуется оставлять – при помощи дистанционных планок – воздушный зазор толщиной 10 мм.
4. Для отделки подойдет, например, вагонка толщиной 12-16 мм. Перед установкой обшивочных досок следует проверить электрические кабели и брус в стенах, необходимые для установки, например, каменки и полка.
5. Во избежание попадания влаги с пола расстояние полка от поверхности пола должно быть не менее 100 мм.
6. Между обшивкой стены и потолком следует оставлять воздушный зазор не менее 5 мм.
7. Деревянные поверхности сауны следует покрыть воском или маслом для сауны, чтобы в них не впитывалась грязь.

Потолок парной

Для оптимизации мощности каменки рекомендуемая высота парной должна составлять порядка 2100 мм – 2300 мм. В случае более высокого помещения в парной будет целесообразно опустить потолок, чем уменьшить кубатуру парного помещения.

1. Минимальная допустимая высота потолка в парной при установке в ней электрокаменки **HUUM CLIFF** составляет **2175 мм**.
2. Между верхним уровнем полка сауны и потолком можно оставить 1100 - 1300 мм.
3. Потолок в парной утепляется аналогично стенам.

ВНИМАНИЕ! При покрытии стен или потолка теплоизоляцией (например, минеральными плитами) между материалами необходимо оставлять достаточный воздушный зазор. Установка плит непосредственно на поверхность стены или потолка может привести к опасному перегреву материалов стен или потолка.

ВНИМАНИЕ! Уточните в ответственном за пожарную безопасность учреждении, на какие части противопожарной стены можно установить теплоизоляцию. Запрещается устанавливать теплоизоляцию на использующиеся дымоходы!

Потемнение стен в парной

Со временем деревянные поверхности в парной могут потемнеть под воздействием высокой температуры. Это естественный процесс, не представляющий опасности, при этом потемнение вызвано средствами, использованными для защиты древесины. Потемнение также может быть вызвано тонкой каменной пылью, образующейся в результате выкрашивания камней, и разносящейся потоками воздуха. Следуйте при установке каменки инструкциям производителя, чтобы горючие материалы в парной не перегревались!

ВНИМАНИЕ! Максимально допустимая температура поверхности стен и потолка в парной составляет 140°C.

Пол в парной

Из-за больших перепадов температуры камни в каменки со временем выкрашиваются. Вода вымывает каменную крошку и пыль, которая попадает на пол сауны. Разогретая каменная крошка может повредить пол с пластиковым покрытием под каменкой и вокруг нее. Мелкая мокрая каменная крошка (особенно если в воде содержится много железа) может впитываться в светлые швы плиточного пола.

Для сохранения внешнего вида отделочных материалов целесообразно использовать керамическую плитку и темную затирку для швов под каменкой и вокруг нее.

Вентиляция сауны

Для обеспечения достаточного поступления свежего воздуха вентиляция в парной должна быть достаточно эффективной (воздух должен меняться шесть раз в час). Решение по вентиляции зависит от того, используется ли в здании естественная или принудительная вентиляция помещений.

Вентиляция сауны состоит не менее, чем из двух, но обычно из трех частей:

- **Приток воздуха.** Диаметр вентиляционной трубы для притока воздуха должен быть в пределах 50-100 мм.
- **Отток воздуха.** Диаметр вентиляционной трубы для оттока воздуха должен быть в 2 раза больше приточной трубы, т.е. составлять от 100 до 200 мм.
- **Проветривание.** В случае отсутствия в парной вентиляционного отверстия, после посещения сауны дверь можно оставить открытой, чтобы проветрить помещение.

Если в парной установлена принудительная вентиляция, то:

1. **Приток воздуха** должен находиться напротив центральной части каменки или выше (≥ 400 мм).
2. **Отток воздуха** – в противоположной каменке стене (≤ 600 мм от пола).
3. **Вентиляционное отверстие для проветривания** должно располагаться в потолке, у стены напротив каменки.

Если парная имеет естественную вентиляцию, то:

1. **Приток воздуха** должен находиться напротив центральной части каменки или выше (≥ 400 мм).
2. **Отток воздуха** – в противоположной каменке стене, не менее чем на 200 мм выше притока воздуха (≤ 600 мм от пола).
3. **Вентиляционное отверстие для проветривания** должно располагаться в потолке, у стены напротив каменки.

Отверстие для притока воздуха должно быть оборудовано регулируемым клапаном.

Если **вытяжное** отверстие находится в моечном помещении, то под дверью парной должен быть устроен зазор не менее 100 мм.

Вентиляционное отверстие следует использовать для проветривания парной после посещения сауны или между заходами в парную, если там одновременно парились несколько человек и было чрезмерно влажно, или чувствовался недостаток воздуха. Во время посещения парной вентиляционное отверстие следует держать закрытым.

ЭКСПЛУАТАЦИЯ

Эксплуатация каменки

ВНИМАНИЕ! Перед включением каменки всегда проверяйте, нет ли на, над или рядом с ней посторонних предметов, чтобы избежать риска возникновения пожара.

Каменку можно использовать только с соответствующей системой управления, которая не входит в комплект электрокаменки. Перед тем, как приступить к эксплуатации, обязательно прочтите инструкцию выбранного Вами оборудования управления каменкой.

Разогрев парного помещения

При первом включении каменки от нагревательных элементов, а также от камней может выделяться характерный запах, для устранения которого парное помещение необходимо хорошо проветрить. На разогрев до нужной температуры парного помещения с соответствующей теплоизоляцией и правильно подобранной мощностью каменки уходит **около одного часа**. Как правило, камни прогреваются до нужной температуры одновременно с парной.

Подбрасывание воды на камни

По мере прогрева помещения воздух в сауне становится сухим. Влажность в парной можно повысить, подбросив воды на разогретые камни. Выбирая подходящую для Вас частоту подбрасывания воды и ее количество, можно по потребности регулировать влажность воздуха и ощущаемый жар.

- Старайтесь подбрасывать воду только на камни, а не на металлические поверхности.
- Начинайте подбрасывать воду только после того, как камни достаточно нагрелись, благодаря чему вода с них будет полностью испаряться.
- Используйте только чистую и теплую воду.
- Рекомендуем подбрасывать на камни около 80 мл воды за раз. Чтобы пара было больше, выждите пару минут, после чего подбросьте такое же количество воды. Такой порядок действий позволит камням высохнуть и вновь нагреться.

ВНИМАНИЕ! Никогда не подбрасывайте воду на каменку, если кто-то находится в непосредственной близости от нее; в противном случае горячий пар может вызвать ожоги.

ПРЕДУПРЕЖДЕНИЯ И ЗАМЕЧАНИЯ

- Каменка предназначена для разогрева помещения парной до нужной температуры. Для иных целей использовать каменку запрещается.
- Все работы по техническому обслуживанию электрокаменки, требующие специальных навыков, должны выполняться соответствующим специалистом.
- **Перед выполнением работ по техническому обслуживанию всегда отключайте оборудование от сети!**
- Перед включением электрокаменки всегда проверяйте парную и каменку.
- Каменку можно использовать только при условии ее правильного заполнения камнями.
- Не накрывайте каменку, – в противном случае это может стать причиной пожара.
- Не прикасайтесь к разогретой каменке, – в противном случае можно получить ожог.
- Несоответствующая требованиям вентиляция парной может привести к чрезмерному высыханию древесины и вызвать риск пожара. При необходимости обратитесь за советом к специалисту во время планировании вентиляции.
- Не поливайте водой из шланга разогретые камни в каменке, чтобы получить пар.
- Ароматизаторы и масла для сауны добавляйте в воду, после чего вылейте на камни. Если непосредственно на камни вылить ароматизаторы и масла, они могут воспламениться.
- Под полком в парной рекомендуется установить слой огнеупорной теплоизоляции толщиной не менее 50 мм.
- Для определения подходящей мощности каменки, которую планируется установить в сауне без теплоизоляции, (например, в продающихся готовых саунах-бочках и уличных саунах), расчетный объем парной следует умножить на 1,5.
- Двери сауны всегда должны открываться наружу.
- Не пользуйтесь сауной не по назначению.
- Не оставляйте маленьких детей в сауне без присмотра.
- При слабом здоровье не рекомендуется резко охлаждаться после пребывания в парной. При необходимости проконсультируйтесь с врачом.
- Парьтесь, пока процесс доставляет Вам удовольствие и не сказывается на самочувствии.
- Храните настоящую инструкцию в надежном месте.

ГАРАНТИЯ

Общие положения:

- Покупатель обязан ознакомиться с инструкцией по эксплуатации изделия и соблюдать изложенные в ней требования.
- Гарантия не распространяется на неисправности, возникшие по причине несоблюдения правил эксплуатации, изложенных в инструкции.
- Гарантия действует в том случае, если в изделии обнаружится производственный брак или дефект.
- Гарантия предполагает замену бракованного изделия или дефектных деталей.
- Продолжительность гарантийного срока составляет 5 лет с момента покупки изделия.

ВНИМАНИЕ! Основанием для гарантии является предъявление чека на покупку/ счета. Право на предъявление претензии действует при условии, что изделие использовалось по назначению и на условиях производителя.

Условия гарантии:

- **ВНИМАНИЕ!** Гарантия не распространяется на нагревательные элементы электрокаменки, которые считаются расходными деталями.
- Гарантия не распространяется на дефекты, вызванные нормальным износом изделия.
- Гарантия не распространяется на камни для каменки.

Гарантия не распространяется на неисправности, вызванные:

- транспортировкой изделия и прочими случайными повреждениями;
- небрежным хранением или использованием изделия, его использованием не по назначению, а также перегрузкой.
- несоблюдением инструкции по монтажу и эксплуатации изделия, а также требований техники безопасности.

Гарантия не действует:

- Если изделие было отремонтировано неуполномоченным лицом; к изделию были добавлены посторонние детали или использовались не одобренные производителем расходные материалы (например, нагревательные элементы).
- В случае некомплектности изделия.

Последняя информация об изделии публикуется на нашей домашней странице huut.eu

**NOTES
MÄRKMED
ANMERKUNGEN
REMARQUES
MUISTIINPANOT
ANTECKNINGAR
UWAGI
ЗАМЕТКИ**

NOTES
MÄRKMED
ANMERKUNGEN
REMARQUES
MUISTIINPANOT
ANTECKNINGAR
UWAGI
ЗАМЕТКИ

**NOTES
MÄRKMED
ANMERKUNGEN
REMARQUES
MUISTIINPANOT
ANTECKNINGAR
UWAGI
ЗАМЕТКИ**

NOTES
MÄRKMED
ANMERKUNGEN
REMARQUES
MUISTIINPANOT
ANTECKNINGAR
UWAGI
ЗАМЕТКИ



 OF SAUNA



#huumsauna



www.huum.eu