

4SR-5[®]

4" submersible pumps



- PATENTED -

10 times more resistant to sand

STRONG AGAINST SAND

MADE IN ITALY

 **PEDROLLO[®]**
the spring of life



4SR-S®

FLOATING IMPELLERS



Patented



Sand resistant

Domestic use

Civil use

Agricultural use

Clean water
(max sand content 200 g/m³)

Thanks to a refined hydraulic design, combined with innovative mechanical solutions (patented), has been created this new series of pumps with floating impellers, that guarantee a greater resistance to the wear caused by the presence of sand in the water, 10 times higher than that found on other pumps on the market.

✦ HIGH PERFORMANCE

The 4SR-S submersible electric pumps achieve exceptional performance and efficiency, with significantly reduced energy consumption, allowing for significant energy savings.

✦ ADVANTAGES FOR THE USER

Reduced energy consumption and remarkable durability over time, even in the presence of sand (up to 200 g/m³), thanks to the innovative patented hydraulic system. Installation is possible in the vertical and horizontal position.

PERFORMANCE RANGE

- Flow rate up to **200 l/min** (12.0 m³/h)
- Head up to **576 m**

APPLICATION LIMITS

- Maximum liquid temperature up to **+35 °C**
- Maximum sand content **200 g/m³**
- Immersion limit: **200 m** with 4PD motor/ **300 m** with 4PS motor
- Installation:
 - vertical
 - horizontal with the following limits:
 - 4SR1 - 4SR1.5 - 4SR2 - 4SR4 up to **23 stages**
 - 4SR6 - 4SR8 up to **17 stages**
- Starts/hour: **20** at regular intervals
- Minimum flow rate for motor cooling **8 cm/s**
- Continuous service **S1**

INSTALLATION AND USE

They are recommended for pumping clean water with a sand content not exceeding **200 g/m³**. Because of their high efficiency and reliability, they are suitable for use in the domestic, civil and agricultural applications, such as for the distribution of water coupled with autoclaves, irrigation and washing systems, etc.

PATENTS

- European Patents n° EP3123031, EP2419642
- Patent Pending n° 102021000030575
- SABBIATalent Drive Innovation Registered Trade Mark n° 5456231

CONSTRUCTION AND SAFETY STANDARDS

4SR-S-HYD pumps

- Without motor coupled

Electric motor

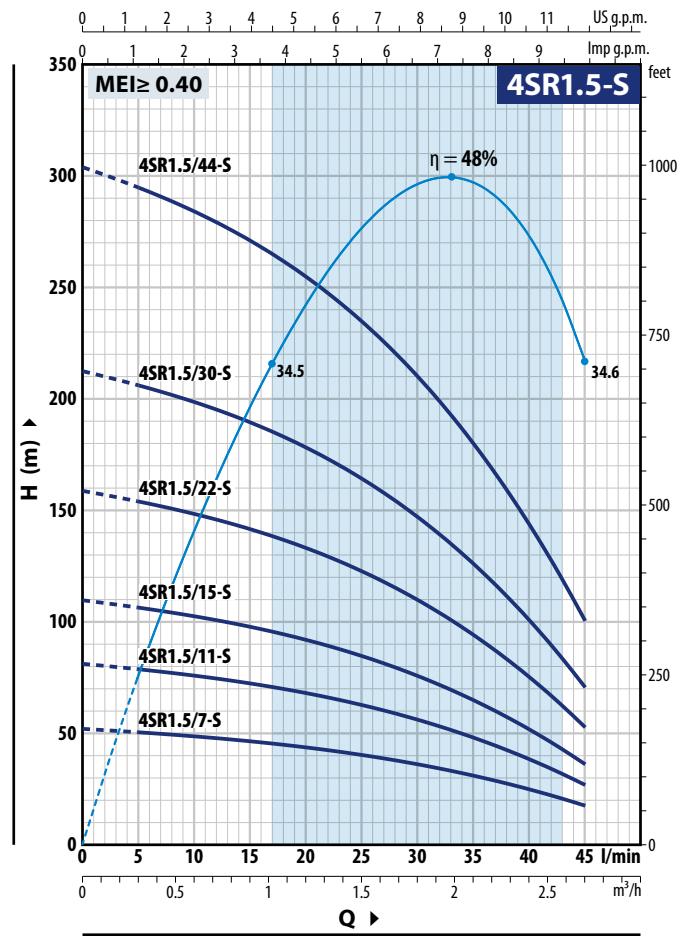
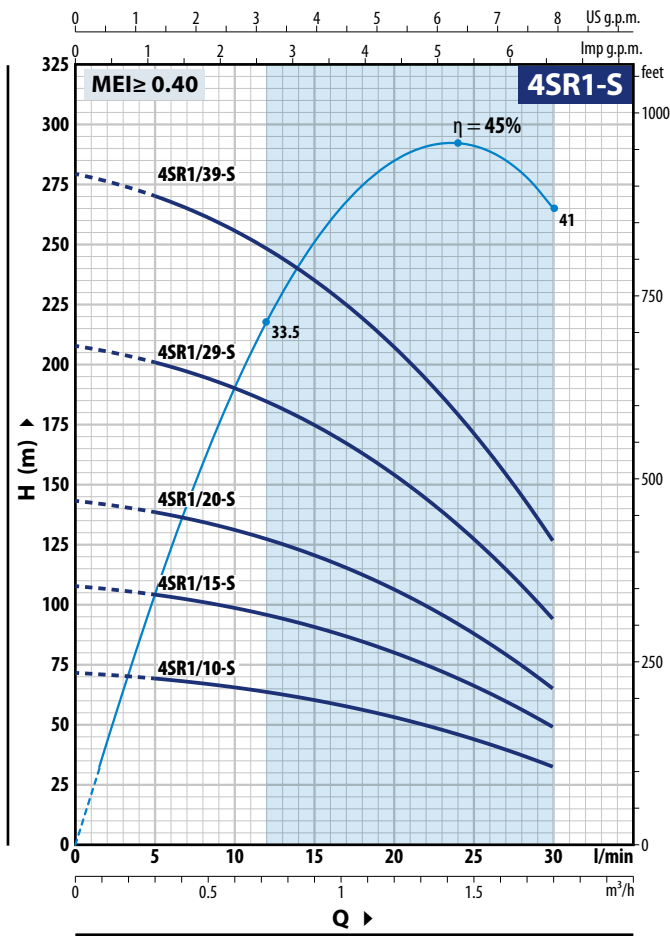
- Three-phase 400 V - 50 Hz
- Single-phase 230 V - 50 Hz – capacitor included in the packaging

Length of power cable:

- **2 m** for power supply from 0.37 to 2.2 kW
- **3.6 m** for power supply from 3 to 7.5 kW.

CHARACTERISTIC CURVES AND PERFORMANCE DATA

50 Hz n= 2900 min⁻¹



4SR1-S

MODEL		POWER (P ₂)		Q	H metres						
Single-phase	Three-phase	kW	HP		m ³ /h	0	0.3	0.6	0.9	1.2	1.5
4SRm 1/10 - S	4SR 1/10 - S	0.37	0.50	l/min	0	5	10	15	20	25	30
4SRm 1/15 - S	4SR 1/15 - S	0.55	0.75		72	69.5	65.5	60.5	53.5	44	32.5
4SRm 1/20 - S	4SR 1/20 - S	0.75	1		108	104	99	91	80	66	48.5
4SRm 1/29 - S	4SR 1/29 - S	1.1	1.5		144	139	131	121	107	88	65
4SRm 1/39 - S	4SR 1/39 - S	1.5	2		208	201	190	175	154	128	94
					280	271	256	236	208	172	127

4SR1.5-S

MODEL		POWER (P ₂)		Q	H metres										
Single-phase	Three-phase	kW	HP		m ³ /h	0	0.3	0.6	0.9	1.2	1.5	1.8	2.1	2.4	2.7
4SRm 1.5/7 - S	4SR 1.5/7 - S	0.37	0.50	l/min	0	5	10	15	20	25	30	35	40	45	
4SRm 1.5/11 - S	4SR 1.5/11 - S	0.55	0.75		51.5	50	48.5	46	43.5	40	36	30.5	24.5	17	
4SRm 1.5/15 - S	4SR 1.5/15 - S	0.75	1		81	78	75	72	67.5	62.5	55.5	48	38	26.5	
4SRm 1.5/22 - S	4SR 1.5/22 - S	1.1	1.5		109	106	102	97	92	84	76	64.5	51.5	36	
4SRm 1.5/30 - S	4SR 1.5/30 - S	1.5	2		158	154	148	141	133	122	109	94	75	52.5	
4SRm 1.5/44 - S	4SR 1.5/44 - S	2.2	3		213	206	199	190	178	164	147	126	100	70	
					304	295	284	271	255	235	210	180	144	100	

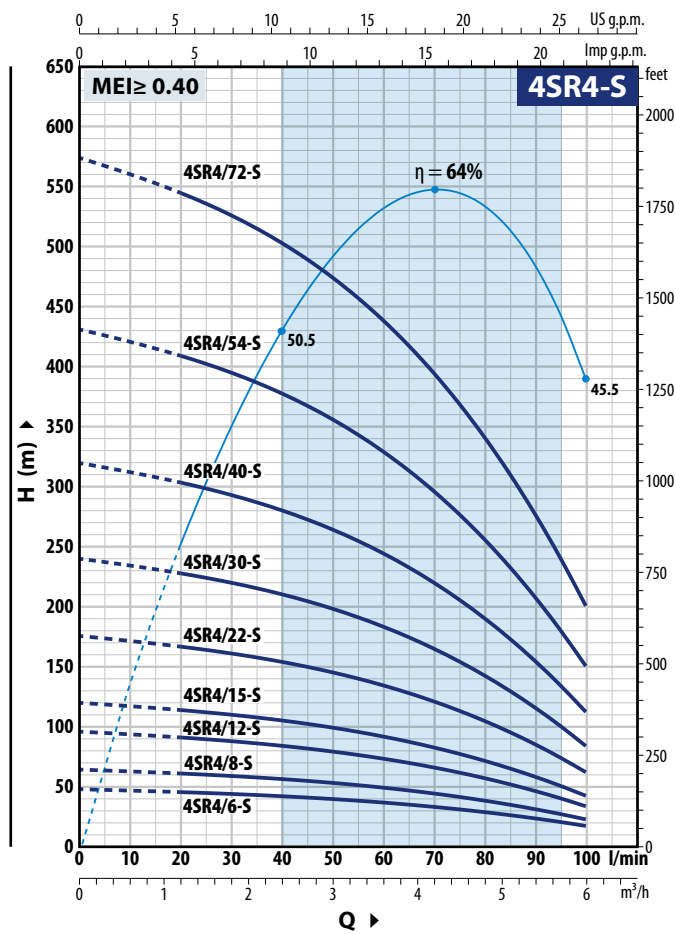
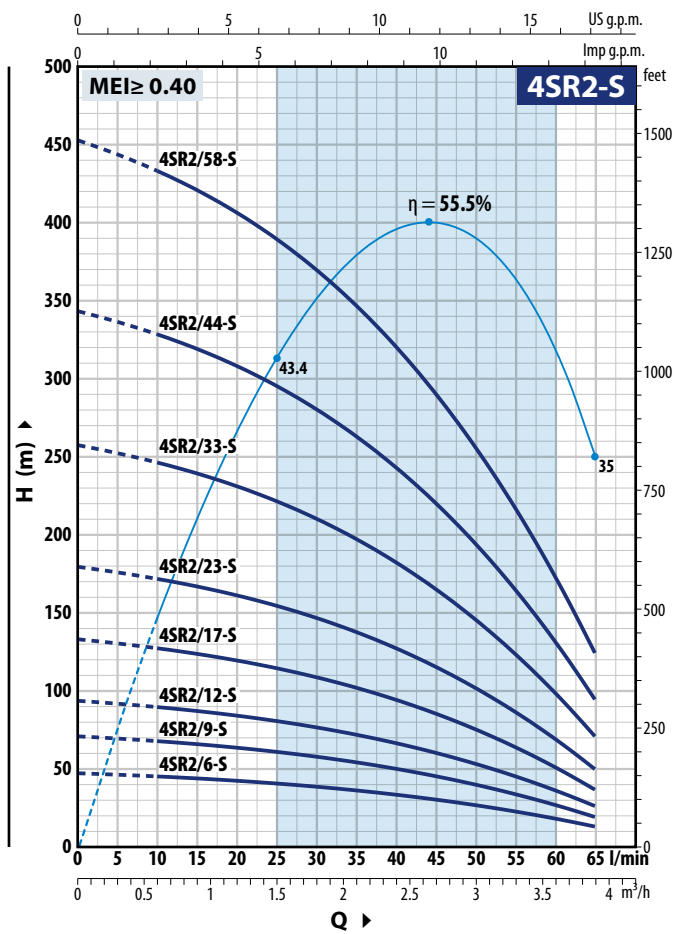
Q = Flow rate H = Total manometresc head

Tolerance of characteristic curves in compliance with EN ISO 9906 Grade 3B.

4SR-S® 4" submersible pumps

CHARACTERISTIC CURVES AND PERFORMANCE DATA

50 Hz n= 2900 min-1



4SR2-S

MODEL		POWER (P ₂)		Q	H metres								
Single-phase	Three-phase	kW	HP		m³/h	0	0.6	1.2	1.8	2.4	3.0	3.6	3.9
				l/min	0	10	20	30	40	50	60	65	
4SRm 2/6 -S	4SR 2/6 -S	0.37	0.50	H metres	47	45	42	38	33	26.4	17.9	13	
4SRm 2/9 -S	4SR 2/9 -S	0.55	0.75		70	67	63	57.5	49.5	39.5	26.8	19.5	
4SRm 2/12 -S	4SR 2/12 -S	0.75	1		94	90	84	76	66	53	36	25.5	
4SRm 2/17 -S	4SR 2/17 -S	1.1	1.5		133	127	119	108	94	75	50.5	36.5	
4SRm 2/23 -S	4SR 2/23 -S	1.5	2		179	172	161	146	127	101	68.5	49	
4SRm 2/33 -S	4SR 2/33 -S	2.2	3		257	246	231	210	182	145	98	71	
-	4SR 2/44 -S	3	4		343	328	308	280	243	194	131	94	
-	4SR 2/58 -S	4	5.5		452	433	406	369	320	256	173	124	

4SR4-S

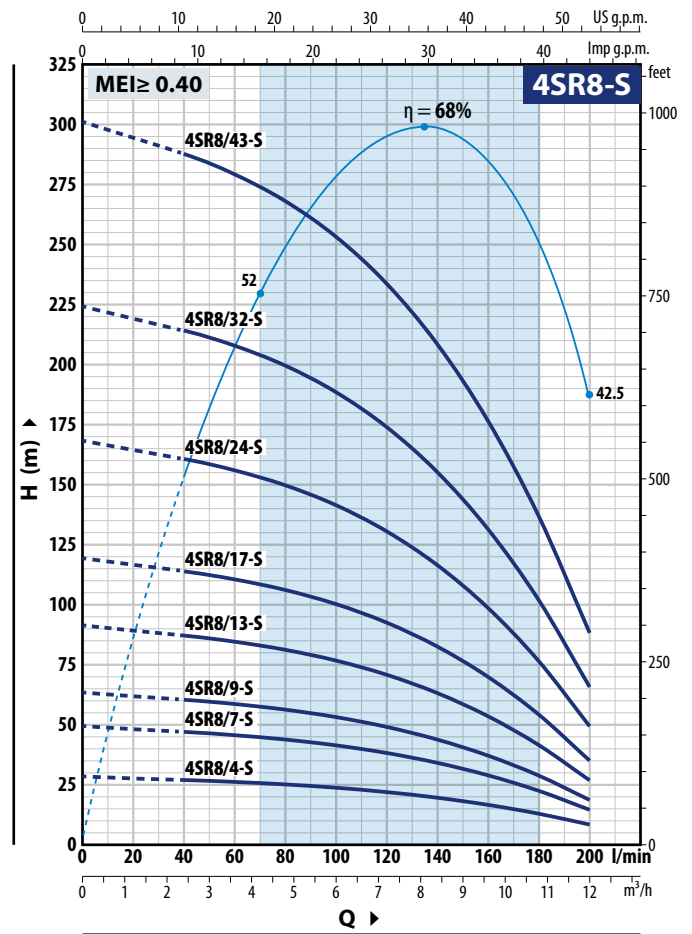
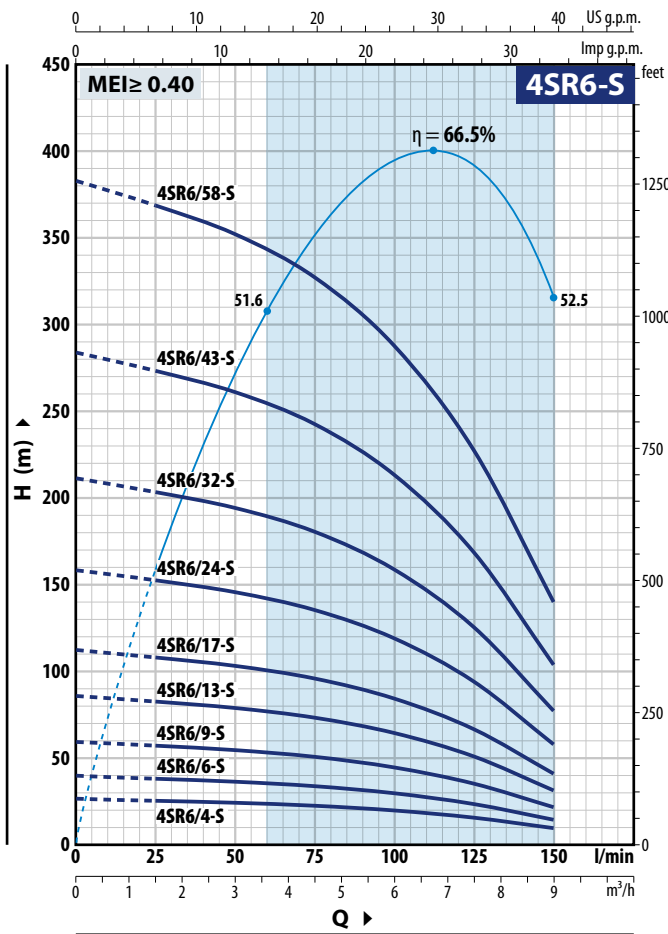
MODEL		POWER (P ₂)		Q	H metres									
Single-phase	Three-phase	kW	HP		m³/h	0	1.2	1.8	2.4	3.0	3.6	4.2	4.8	5.4
				l/min	0	20	30	40	50	60	70	80	90	100
4SRm 4/6 -S	4SR 4/6 -S	0.55	0.75	H metres	48	45.5	44	42	39.5	36.5	33	28.5	23.2	17
4SRm 4/8 -S	4SR 4/8 -S	0.75	1		64	60.5	58.5	56	53	49	44	38	31	22.5
4SRm 4/12 -S	4SR 4/12 -S	1.1	1.5		96	91	88	84	79	73	66	57	46.5	33.5
4SRm 4/15 -S	4SR 4/15 -S	1.5	2		120	114	110	105	99	92	83	71	58	42
4SRm 4/22 -S	4SR 4/22 -S	2.2	3		176	167	161	154	145	134	121	105	85	61.5
-	4SR 4/30 -S	3	4		240	228	220	210	198	183	165	143	116	84
-	4SR 4/40 -S	4	5.5		320	304	293	280	264	244	220	190	154	112
-	4SR 4/54 -S	5.5	7.5		432	410	396	379	357	330	297	257	209	151
-	4SR 4/72 -S	7.5	10		576	547	528	505	476	440	396	342	278	202

Q = Flow rate H = Total manometric head

Tolerance of characteristic curves in compliance with EN ISO 9906 Grade 3B.

CHARACTERISTIC CURVES AND PERFORMANCE DATA

50 Hz n= 2900 min⁻¹



4SR6-S

MODEL		POWER (P ₂)		Q	H metres							
Single-phase	Three-phase	kW	HP		m ³ /h	0	1.5	3.0	4.5	6.0	7.5	9.0
4SRm 6/4 -S	4SR 6/4 -S	0.55	0.75	0	0	25	50	75	100	125	150	
4SRm 6/6 -S	4SR 6/6 -S	0.75	1	0	26.5	25.5	24.3	22.5	19.8	15.7	9.5	
4SRm 6/9 -S	4SR 6/9 -S	1.1	1.5	1.5	39.5	38	36.5	34	29.5	23.5	14.5	
4SRm 6/13 -S	4SR 6/13 -S	1.5	2	3.0	59.5	57	54.5	50.5	44.5	35.5	21.5	
4SRm 6/17 -S	4SR 6/17 -S	2.2	3	4.5	86	83	79	73	64.5	51	31.5	
-	4SR 6/24 -S	3	4	6.0	112	108	103	96	84	66.5	41	
-	4SR 6/32 -S	4	5.5	7.5	158	152	146	135	119	94	58	
-	4SR 6/43 -S	5.5	7.5	9.0	211	203	194	180	159	125	77	
-	4SR 6/58 -S	7.5	10	9.0	284	273	261	242	213	168	104	
					383	368	352	327	287	227	140	

4SR8-S

MODEL		POWER (P ₂)		Q	H metres											
Single-phase	Three-phase	kW	HP		m ³ /h	0	2.4	3.6	4.8	6.0	7.2	8.4	9.6	10.8	12.0	
4SRm 8/4 -S	4SR 8/4 -S	0.75	1	0	0	40	60	80	100	120	140	160	180	200		
4SRm 8/7 -S	4SR 8/7 -S	1.1	1.5	0	28	27	26	25	23.6	21.8	19.4	16.4	12.7	8		
4SRm 8/9 -S	4SR 8/9 -S	1.5	2	2.4	49	47	45.5	43.5	41.5	38	34	28.5	22.3	14.5		
4SRm 8/13 -S	4SR 8/13 -S	2.2	3	3.6	63	60.5	58.5	56	53	49	43.5	37	28.5	18.5		
-	4SR 8/17 -S	3	4	4.8	91	87	85	81	77	71	63	53.5	41.5	26.5		
-	4SR 8/24 -S	4	5.5	6.0	119	114	111	106	100	92	82	70	54	35		
-	4SR 8/32 -S	5.5	7.5	7.2	168	161	156	150	141	131	116	99	76	49		
-	4SR 8/43 -S	7.5	10	8.4	224	214	208	200	189	174	155	131	102	65.5		
				9.6	301	288	280	268	253	234	209	177	137	88		

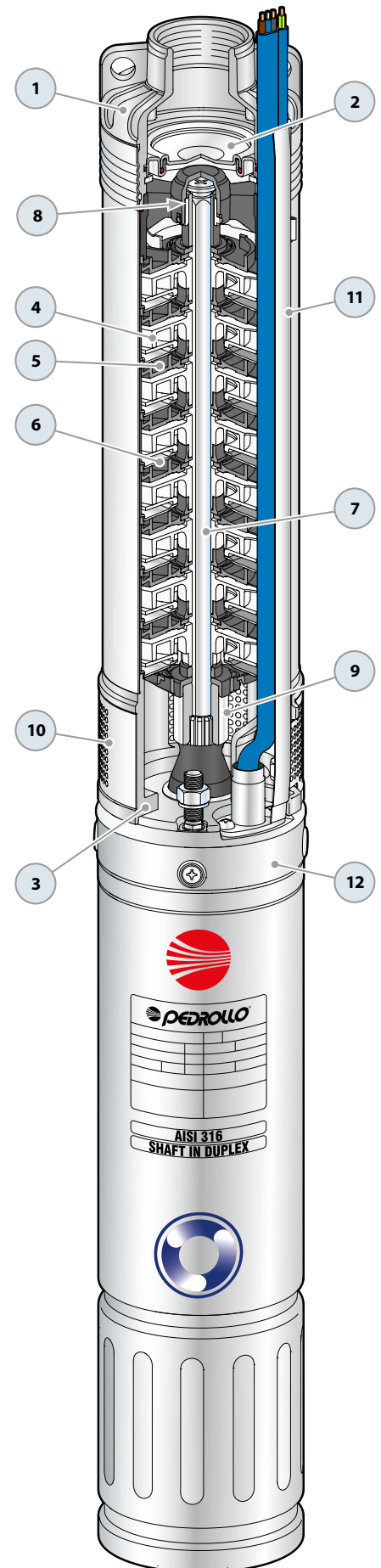
Q = Flow rate H = Total manometres head

Tolerance of characteristic curves in compliance with EN ISO 9906 Grade 3B.

4SR-S[®] 4" submersible pumps

POS. COMPONENT	CONSTRUCTION CHARACTERISTICS
----------------	------------------------------

1 DELIVERY BODY	Precision cast stainless steel AISI 304 complete with threaded delivery port in compliance with ISO 228/1
2 NON-RETURN VALVE	Stainless steel AISI 304
3 MOTOR BRACKET	Stainless steel AISI 304, in compliance with NEMA standards
4 IMPELLER	Delrin
5 DIFFUSER	Noryl
6 STAGE CASING	Stainless steel AISI 304
7 PUMP SHAFT	Stainless steel AISI 304
8 PUMP BEARINGS	Special technopolymer housing with stainless steel AISI 316, chrome oxide coated, sand resistant shaft bushing
9 DRIVE COUPLING	Stainless steel AISI 316L up to 2.2 kW; Stainless steel AISI 304 for power supplies
10 FILTER	Stainless steel AISI 304
11 CABLE COVER	Stainless steel AISI 304
12 MOTOR 4"	4PD = rewindable oil filled submersible motor 4PS = encapsulated water cooled submersible motor



DIMENSIONS AND WEIGHT (PUMP ONLY)

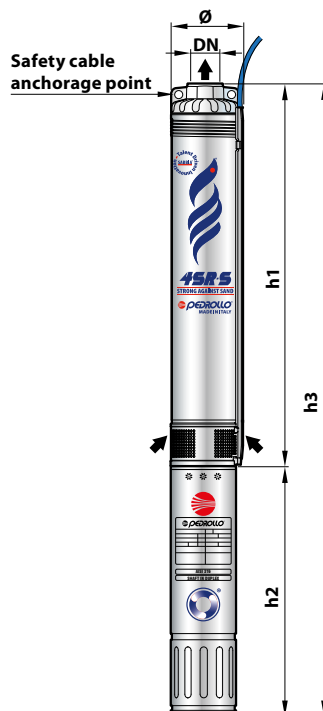
MODEL Pump	DN	DIMENSIONS mm			kg		
		Ø	h1	h			
4SR 1/10 - S - HYD	1¼"	98	362	365	4.1		
4SR 1/15 - S - HYD			488	491	5.8		
4SR 1/20 - S - HYD			588	591	6.7		
4SR 1/29 - S - HYD			767	770	9.4		
4SR 1/39 - S - HYD			992	995	11.9		
4SR 1.5/7 - S - HYD			303	306	3.6		
4SR 1.5/11 - S - HYD			382	385	4.3		
4SR 1.5/15 - S - HYD			488	491	5.8		
4SR 1.5/22 - S - HYD			627	630	7.6		
4SR 1.5/30 - S - HYD			787	790	9.2		
4SR 1.5/44 - S - HYD			1163	1166	14.6		
4SR 2/6 - S - HYD			283	286	3.4		
4SR 2/9 - S - HYD			343	346	3.9		
4SR 2/12 - S - HYD			402	405	4.6		
4SR 2/17 - S - HYD			528	531	6.2		
4SR 2/23 - S - HYD			647	650	7.8		
4SR 2/33 - S - HYD			873	876	10.6		
4SR 2/44 - S - HYD			1163	1166	14.6		
4SR 2/58 - S - HYD			1432	1435	17.9		
4SR 4/6 - S - HYD			98	98	313	316	3.6
4SR 4/8 - S - HYD	363	366			4.1		
4SR 4/12 - S - HYD	462	465			5.3		
4SR 4/15 - S - HYD	563	566			6.1		
4SR 4/22 - S - HYD	737	740			8.5		
4SR 4/30 - S - HYD	963	966			10.7		
4SR 4/40 - S - HYD	1284	1287			15.9		
4SR 4/54 - S - HYD	1684	1687			19.2		
4SR 4/72 - S - HYD	2134	2137			23.0		
4SR 6/4 - S - HYD	2"	98			289	292	3.2
4SR 6/6 - S - HYD					352	355	3.8
4SR 6/9 - S - HYD					446	449	4.9
4SR 6/13 - S - HYD			598	601	6.1		
4SR 6/17 - S - HYD			723	726	7.8		
4SR 6/24 - S - HYD			969	972	10.3		
4SR 6/32 - S - HYD			1247	1250	13.1		
4SR 6/43 - S - HYD			1618	1621	17.1		
4SR 6/58 - S - HYD			2161	2164	23.4		
4SR 8/4 - S - HYD			289	292	3.2		
4SR 8/7 - S - HYD			382	385	4.2		
4SR 8/9 - S - HYD			446	449	4.9		
4SR 8/13 - S - HYD			598	601	6.0		
4SR 8/17 - S - HYD			723	726	7.8		
4SR 8/24 - S - HYD			969	972	10.3		
4SR 8/32 - S - HYD			1247	1250	13.1		
4SR 8/43 - S - HYD	1618	1621	16.8				



DIMENSIONS AND WEIGHT

MODEL	DN	DIMENSIONI mm				kg
		Ø	h1	h2	h3	
Single-phase						
4SRm 1/10 - S - PD	1¼"	98	362	311	673	10.9
4SRm 1/15 - S - PD			488	331	819	13.5
4SRm 1/20 - S - PD			588	356	944	15.6
4SRm 1/29 - S - PD			767	396	1163	20.0
4SRm 1/39 - S - PD			992	437	1429	24.5
4SRm 1.5/7 - S - PD			303	311	614	10.1
4SRm 1.5/11 - S - PD			382	331	713	11.5
4SRm 1.5/15 - S - PD			488	356	844	14.3
4SRm 1.5/22 - S - PD			627	396	1023	17.8
4SRm 1.5/30 - S - PD			787	437	1224	20.9
4SRm 1.5/44 - S - PD			1163	492	1655	29.5
4SRm 2/6 - S - PD			283	311	594	9.9
4SRm 2/9 - S - PD			343	331	674	11.1
4SRm 2/12 - S - PD			402	356	758	13.1
4SRm 2/17 - S - PD			528	396	924	16.4
4SRm 2/23 - S - PD			647	437	1084	19.5
4SRm 2/33 - S - PD			873	492	1365	25.5
4SRm 4/6 - S - PD			313	331	644	10.8
4SRm 4/8 - S - PD			363	356	719	12.6
4SRm 4/12 - S - PD			462	396	858	15.5
4SRm 4/15 - S - PD	563	437	1000	17.8		
4SRm 4/22 - S - PD	737	492	1229	23.4		
4SRm 6/4 - S - PD	2"	98	289	331	620	10.4
4SRm 6/6 - S - PD			352	356	708	12.3
4SRm 6/9 - S - PD			446	396	842	15.1
4SRm 6/13 - S - PD			598	437	1035	17.8
4SRm 6/17 - S - PD			723	492	1215	22.7
4SRm 8/4 - S - PD			289	356	645	11.7
4SRm 8/7 - S - PD			382	396	778	14.4
4SRm 8/9 - S - PD			446	437	883	16.6
4SRm 8/13 - S - PD			598	492	1090	20.9

MODEL	DN	DIMENSIONI mm				kg		
		Ø	h1	h2	h3			
Three-phase								
4SR 1/10 - S - PD	1¼"	98	362	311	673	11.1		
4SR 1/15 - S - PD			488	331	819	13.5		
4SR 1/20 - S - PD			588	356	944	15.5		
4SR 1/29 - S - PD			767	371	1138	18.8		
4SR 1/39 - S - PD			992	396	1388	22.5		
4SR 1.5/7 - S - PD			303	311	614	10.1		
4SR 1.5/11 - S - PD			382	331	713	11.5		
4SR 1.5/15 - S - PD			488	356	844	14.3		
4SR 1.5/22 - S - PD			627	371	998	17.0		
4SR 1.5/30 - S - PD			787	396	1183	19.4		
4SR 1.5/44 - S - PD			1163	437	1600	26.3		
4SR 2/6 - S - PD			283	311	594	9.9		
4SR 2/9 - S - PD			343	331	674	11.1		
4SR 2/12 - S - PD			402	356	758	13.1		
4SR 2/17 - S - PD			528	371	899	15.6		
4SR 2/23 - S - PD			647	396	1043	18.0		
4SR 2/33 - S - PD			873	437	1310	22.3		
4SR 2/44 - S - PD			1163	450	1613	27.8		
4SR 2/58 - S - PD			1432	505	1937	34.4		
4SR 4/6 - S - PD			98	98	313	331	644	10.8
4SR 4/8 - S - PD	363	356			719	12.6		
4SR 4/12 - S - PD	462	371			833	14.7		
4SR 4/15 - S - PD	563	396			959	16.3		
4SR 4/22 - S - PD	737	437			1174	20.2		
4SR 4/30 - S - PD	963	450			1413	23.9		
4SR 4/40 - S - PD	1284	505			1789	32.0		
4SR 4/54 - S - PD	1684	590			2274	39.0		
4SR 4/72 - S - PD	2134	800			2934	52.0		
4SR 6/4 - S - PD	2"	98			289	331	620	10.4
4SR 6/6 - S - PD					352	356	708	12.3
4SR 6/9 - S - PD					446	371	817	14.3
4SR 6/13 - S - PD					598	396	994	16.3
4SR 6/17 - S - PD			723	437	1160	19.5		
4SR 6/24 - S - PD			969	450	1419	23.5		
4SR 6/32 - S - PD			1247	505	1752	29.2		
4SR 6/43 - S - PD			1618	590	2208	36.9		
4SR 6/58 - S - PD			2161	800	2961	52.4		
4SR 8/4 - S - PD			289	356	645	11.7		
4SR 8/7 - S - PD			382	371	753	13.6		
4SR 8/9 - S - PD			446	396	842	15.1		
4SR 8/13 - S - PD			598	437	1035	17.7		
4SR 8/17 - S - PD	723	450	1173	21.0				
4SR 8/24 - S - PD	969	505	1474	26.4				
4SR 8/32 - S - PD	1247	590	1837	32.9				
4SR 8/43 - S - PD	1618	800	2418	45.8				

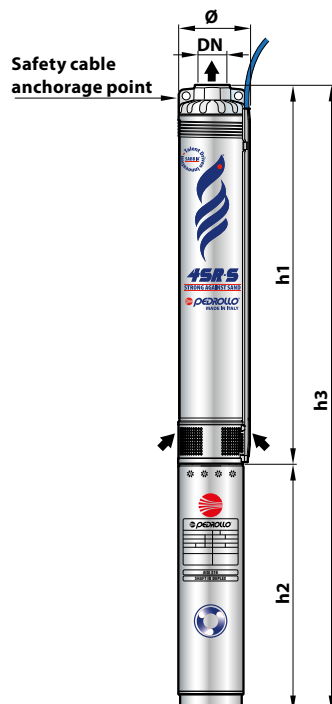


4PD = rewindable oil filled submersible motor

DIMENSIONS AND WEIGHT

MODEL	DN	DIMENSIONI mm				kg
		Ø	h1	h2	h3	
Single-phase						
4SRm 1/10 - S - PS	1 1/4"	98	362	237	599	12.3
4SRm 1/15 - S - PS			488	257	745	14.8
4SRm 1/20 - S - PS			588	272	860	16.3
4SRm 1/29 - S - PS			767	312	1079	20.6
4SRm 1/39 - S - PS			992	352	1344	25
4SRm 1.5/7 - S - PS			303	237	540	10.4
4SRm 1.5/11 - S - PS			382	257	639	12.2
4SRm 1.5/15 - S - PS			488	272	760	14.9
4SRm 1.5/22 - S - PS			627	312	939	18.8
4SRm 1.5/30 - S - PS			787	352	1139	22.6
4SRm 1.5/44 - S - PS			1163	402	1565	28.8
4SRm 2/6 - S - PS			283	237	520	10.2
4SRm 2/9 - S - PS			343	257	600	11.8
4SRm 2/12 - S - PS			402	272	674	13.7
4SRm 2/17 - S - PS			528	312	840	17.4
4SRm 2/23 - S - PS			647	352	999	21.2
4SRm 2/33 - S - PS			873	402	1275	24.8
4SRm 4/6 - S - PS			313	257	570	11.5
4SRm 4/8 - S - PS			363	272	635	13.2
4SRm 4/12 - S - PS			462	312	774	16.5
4SRm 4/15 - S - PS	563	352	915	19.5		
4SRm 4/22 - S - PS	737	402	1139	22.7		
4SRm 6/4 - S - PS	2"	98	289	257	546	11.1
4SRm 6/6 - S - PS			352	272	624	12.9
4SRm 6/9 - S - PS			446	312	758	16.1
4SRm 6/13 - S - PS			598	352	950	19.5
4SRm 6/17 - S - PS			723	402	1125	22.0
4SRm 8/4 - S - PS			289	272	561	12.3
4SRm 8/7 - S - PS			382	312	694	15.4
4SRm 8/9 - S - PS			446	352	798	18.3
4SRm 8/13 - S - PS			598	402	1000	20.2

MODEL	DN	DIMENSIONI mm				kg		
		Ø	h1	h2	h3			
Three-phase								
4SR 1/10 - S - PS	1 1/4"	98	362	237	599	12.2		
4SR 1/15 - S - PS			488	237	725	13.9		
4SR 1/20 - S - PS			588	257	845	15.6		
4SR 1/29 - S - PS			767	272	1039	19.0		
4SR 1/39 - S - PS			992	297	1289	22.6		
4SR 1.5/7 - S - PS			303	237	540	10.4		
4SR 1.5/11 - S - PS			382	237	619	11.1		
4SR 1.5/15 - S - PS			488	257	745	13.7		
4SR 1.5/22 - S - PS			627	272	899	16.7		
4SR 1.5/30 - S - PS			787	297	1084	20.4		
4SR 1.5/44 - S - PS			1163	352	1515	28.0		
4SR 2/6 - S - PS			283	237	520	10.2		
4SR 2/9 - S - PS			343	237	580	10.7		
4SR 2/12 - S - PS			402	257	659	12.5		
4SR 2/17 - S - PS			528	272	800	15.3		
4SR 2/23 - S - PS			647	297	944	19.0		
4SR 2/33 - S - PS			873	352	1225	24.0		
4SR 2/44 - S - PS			1163	484	1647	31.6		
4SR 2/58 - S - PS			1432	574	2006	41.7		
4SR 4/6 - S - PS			98	98	313	237	550	10.4
4SR 4/8 - S - PS	363	257			620	12.0		
4SR 4/12 - S - PS	462	272			734	14.4		
4SR 4/15 - S - PS	563	297			860	17.3		
4SR 4/22 - S - PS	737	352			1089	21.9		
4SR 4/30 - S - PS	963	484			1447	27.7		
4SR 4/40 - S - PS	1284	574			1858	39.3		
4SR 4/54 - S - PS	1684	664			2348	47.0		
4SR 4/72 - S - PS	2134	764			2898	54.4		
4SR 6/4 - S - PS	2"	98			289	237	526	10.0
4SR 6/6 - S - PS					352	257	609	11.7
4SR 6/9 - S - PS					446	272	718	14.0
4SR 6/13 - S - PS					598	297	895	17.3
4SR 6/17 - S - PS			723	352	1075	21.2		
4SR 6/24 - S - PS			969	484	1453	27.3		
4SR 6/32 - S - PS			1247	574	1821	36.5		
4SR 6/43 - S - PS			1618	664	2282	44.9		
4SR 6/58 - S - PS			2161	764	2925	54.8		
4SR 8/4 - S - PS			289	257	546	11.1		
4SR 8/7 - S - PS			382	272	654	13.3		
4SR 8/9 - S - PS			446	297	743	16.1		
4SR 8/13 - S - PS			598	352	950	19.4		
4SR 8/17 - S - PS	723	484	1207	24.8				
4SR 8/24 - S - PS	969	574	1543	33.7				
4SR 8/32 - S - PS	1247	664	1911	40.9				
4SR 8/43 - S - PS	1618	764	2382	48.2				

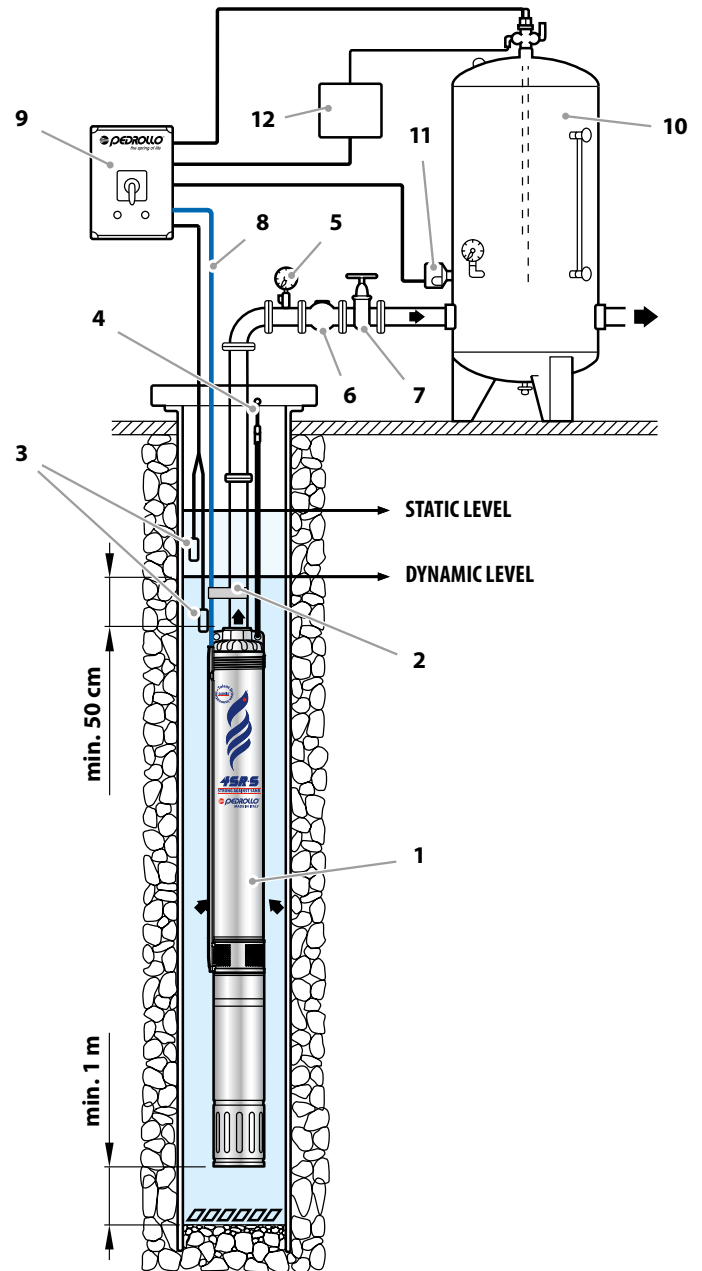


4PS = encapsulated water cooled submersible motor

STANDARD INSTALLATION

- 1) Submersible pump
- 2) Power cable clamps
- 3) Level probes; prevent dry running
- 4) Bracket and anchorage cable
- 5) Pressure gauge
- 6) Non-return valve
- 7) Gate valve; for flow rate regulation
- 8) Power cable
- 9) Control box
- 10) Pressure vessel
- 11) Pressure switch
- 12) Electro valve/electro-compressor

- ➔ The 4SR series pumps should be installed in boreholes of at least 4" (101,6 mm) in diameter. The pump should be lowered into the borehole, by means of the delivery pipe, to such a depth (min. 50 cm and at least one metre from the bottom) that it is completely immersed during operation when the level of water in the borehole may reduce. It is good practice to secure the pump by attaching a stainless steel cable to the anchorage points present on the delivery body.



*The data contained in this publication are not to be considered binding.
Pedrollo S.p.A. reserves the right to make any changes it deems appropriate to improve its production.*

Pedrollo S.p.A.

Via Enrico Fermi, 7 - 37047 San Bonifacio (Verona) Italy
tel. +39 045 6136311 - fax +39 045 7614663
vendite@pedrollo.com - sales@pedrollo.com - www.pedrollo.com

MADE IN ITALY

Z-DPL90084UK