

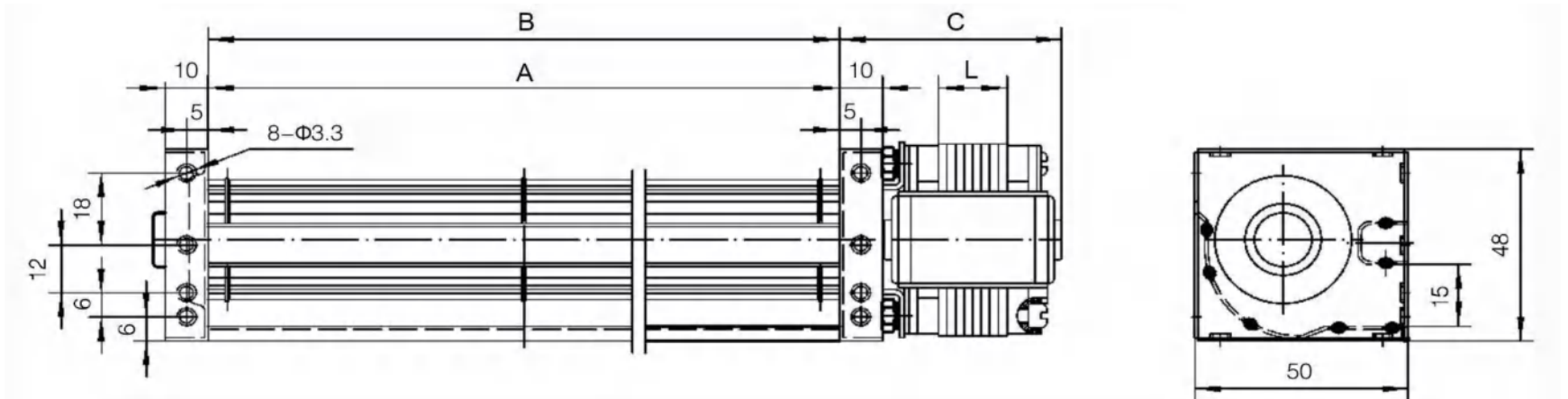
LWCA-30 Series

Product Characteristic

- Motor Type : AC Shaded Pole Motor
- Housing Material : Galvanized Sheet Steel
- Blade Material : Aluminum Alloy
- Insulation Class : B/F/H
- Bearing Type: Ball bearing
- Operation Temperature : - 25 °C ~ +60 °C



Product Drawing



Technical Specifications

Model	Dimension(mm)			Voltage V	Frequency Hz	Power W	Speed RPM	Pressure mmH2O/Pa	Airflow m³/h	Noise dB(A)	Blower
	A	B	C								
LWCA-30120SN-01	120	120	46	220	50	8	2500	0.7/7	22	37	Single
LWCA-30180SN-01	180	180	46	220	50	9	2700	1.2/12	46	38	Single
LWCA-30240SN-01	240	240	51	220	50	12	2600	1.3/13	62	39	Single
LWCA-30300SN-01	300	300	55	220	50	15	2700	1.4/14	83	40	Single
LWCA-30360SN-01	360	360	55	220	50	18	2600	1.4/14	95	42	Single

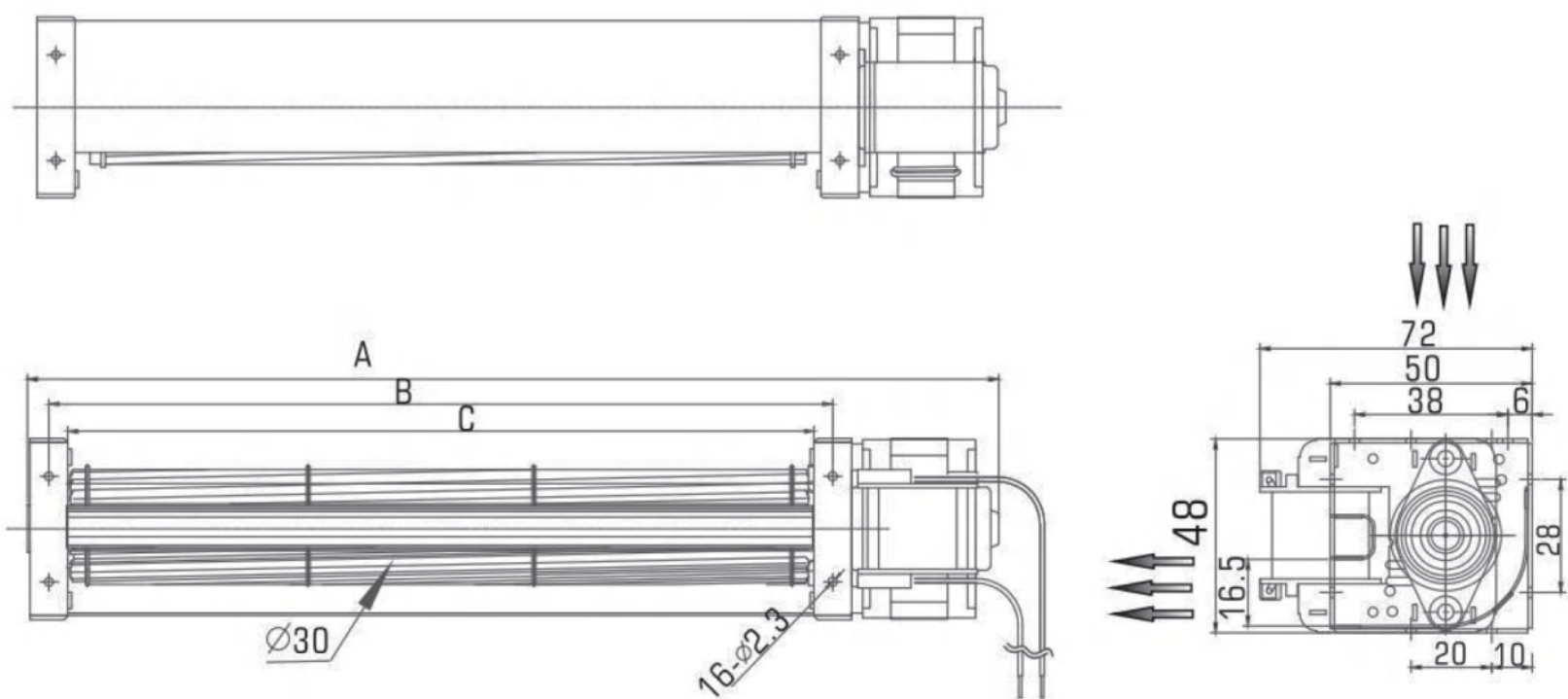
LWCA-30 Series

Product Characteristic

- Motor Type : AC Shaded Pole Motor
- Housing Material : Galvanized Sheet Steel
- Blade Material : Aluminum Alloy
- Insulation Class : B/F/H
- Bearing Type: Ball bearing
- Operation Temperature : - 25 °C ~ +60 °C



Product Drawing



Technical Specifications

Model	Dimension(mm)			Voltage	Frequency	Power	Speed	Pressure	Airflow	Noise	Blower
	A	B	C								
LWCA-3090UN-01	158	108	98	120	60	15.3	3300	11	25	31	Single
LWCA-3090SN-02				230	50	13.5	2700	10	20	31	Single
LWCA-30150UN-01	222	170	160	120	60	16.5	3200	11	48	32	Single
LWCA-30150SN-02				230	50	13.4	2700	10	41	32	Single
LWCA-30190UN-01	256	208	198	120	60	15.8	3100	13	60	32	Single
LWCA-30190SN-02				230	50	13.7	2600	10	50	32	Single
LWCA-30250UN-01	308	258	248	120	60	16.3	3000	14	76	32	Single
LWCA-30250SN-02				230	50	14.4	2500	10	62	32	Single
LWCA-30290UN-01	365	310	300	120	60	16.7	2900	15	90	34	Single
LWCA-30290SN-02				230	50	14.4	2500	13	81	34	Single
LWCA-30350UN-01	411	362	352	120	60	16.9	2780	15	106	35	Single
LWCA-30350SN-02				230	50	14.4	2500	14	96	35	Single

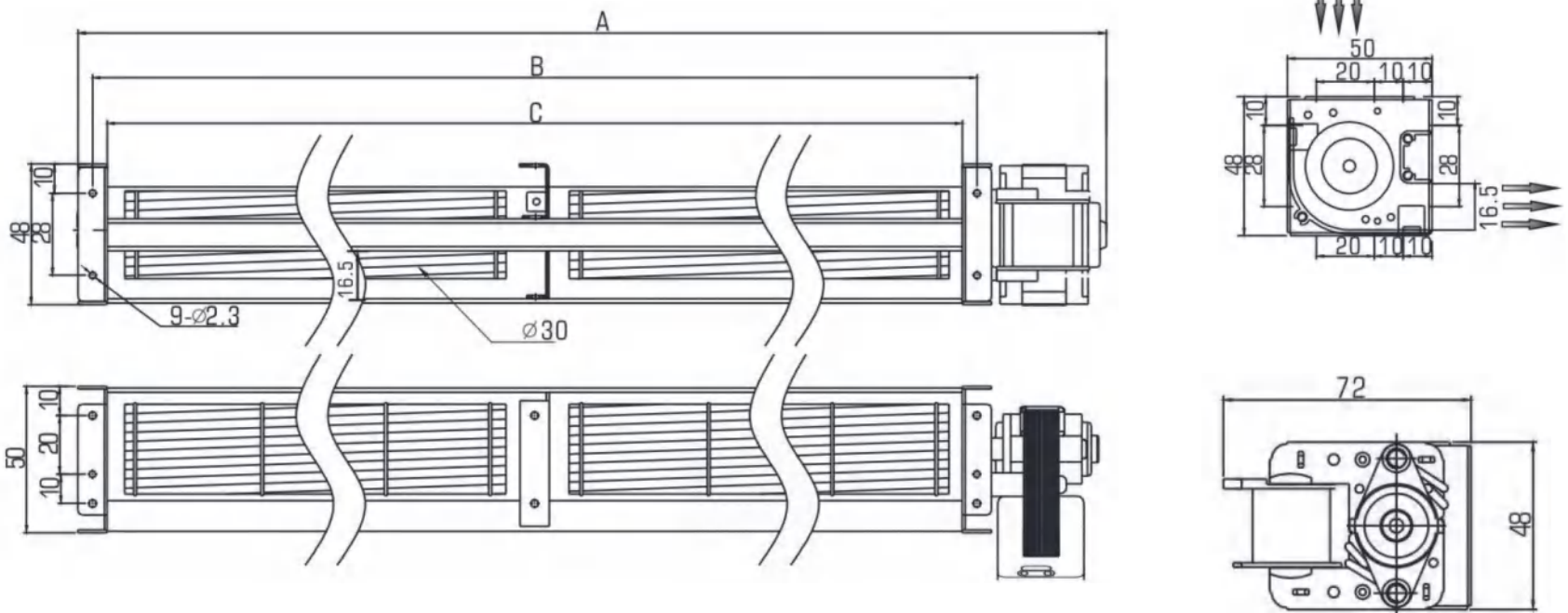
LWCA-30 Series

Product Characteristic

- Motor Type : AC Shaded Pole Motor
- Housing Material : Galvanized Sheet Steel
- Blade Material : Aluminum Alloy
- Insulation Class : B/F/H
- Bearing Type: Ball bearing
- Operation Temperature : - 25 °C ~ +60 °C



Product Drawing



Technical Specifications

Model	Dimension(mm)			Voltage V	Frequency Hz	Power W	Speed RPM	Pressure mmH2O/Pa	Airflow m³/h	Noise dB(A)	Blower
	A	B	C								
LWCA-30530SN-01	590	540	530	220	50	19.7	2550	18	100	33	Double
LWCA-30610SN-01	670	620	610	220	50	20.3	2400	18	115	32	Double
LWCA-30718SN-01	778	728	718	220	50	21.1	2400	18	120	35	Double
LWCA-30800SN-01	860	810	800	220	50	21.1	2400	17	110	35	Triple
LWCA-30854SN-01	914	864	854	220	50	21.1	2400	17	135	36	Triple
LWCA-30920SN-01	980	930	920	220	50	21.1	2400	17	145	36	Triple
LWCA-30986SN-01	1056	996	986	220	50	21.1	2400	17	170	38	Triple

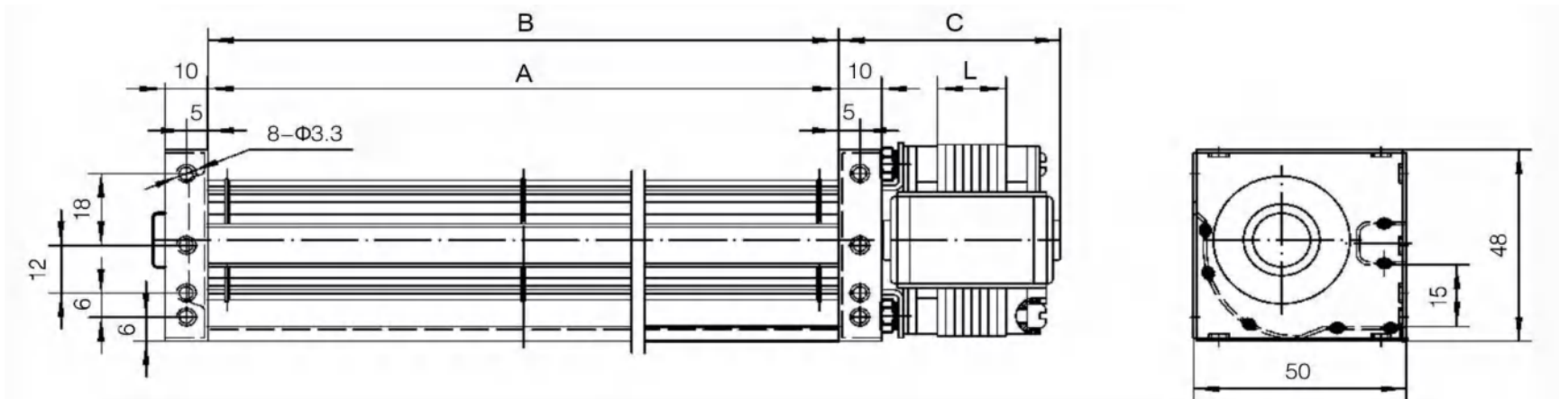
LWCA-40 Series

Product Characteristic

- Motor Type : AC Shaded Pole Motor
- Housing Material : Galvanized Sheet Steel
- Blade Material : Aluminum Alloy
- Insulation Class : B/F/H
- Bearing Type: Ball bearing
- Operation Temperature : -25 °C ~ +60 °C



Product Drawing



Technical Specifications

Model	Dimension(mm)			Voltage V	Frequency Hz	Power W	Speed RPM	Pressure mmH2O/Pa	Airflow m³/h	Noise dB(A)	Blower
	A	B	C								
LWCA-40120SN-01	120	128	40	220	50	8	2560	1.3/13	45	37	Single
LWCA-40180SN-01	180	188	40	220	50	11	2450	1.8/18	68	38	Single
LWCA-40240SN-01	240	248	40	220	50	13	2300	2.0/20	83	38	Single
LWCA-40300SN-01	300	308	51	220	50	16	2500	2.2/23	110	43	Single
LWCA-40360SN-01	360	368	51	220	50	20	2500	2.4/24	135	48	Single

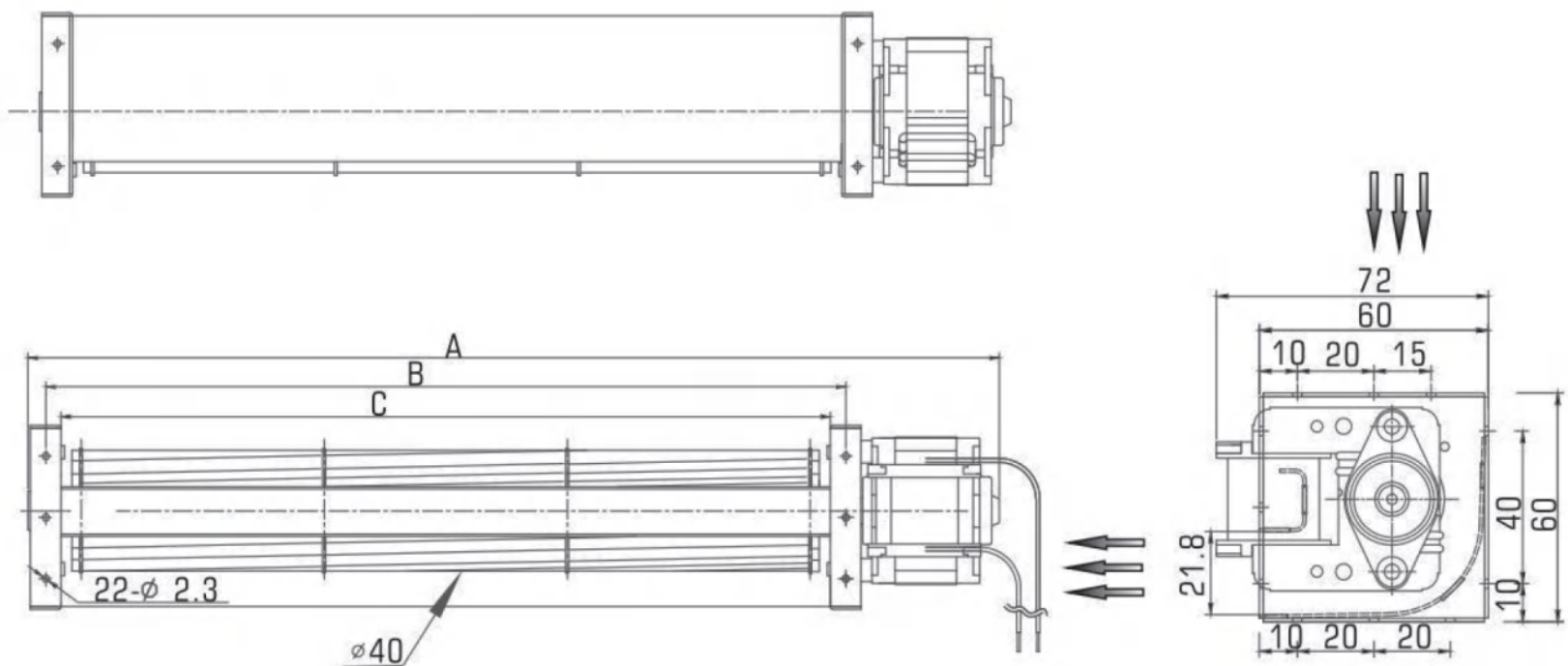
LWCA-40 Series

Product Characteristic

- Motor Type : AC Shaded Pole Motor
- Housing Material : Galvanized Sheet Steel
- Blade Material : Aluminum Alloy
- Insulation Class : B/F/H
- Bearing Type: Ball bearing
- Operation Temperature : - 25 °C ~ +60 °C



Product Drawing



Technical Specifications

Model	Dimension(mm)			Voltage V	Frequency Hz	Power W	Speed RPM	Pressure mmH2O/Pa	Airflow m³/h	Noise dB(A)	Blower
	A	B	C								
LWCA-4090UN-01	158	108	98	120	60	16.2	3200	25	40	35	Single
LWCA-4090SN-02				230	50	13.9	2700	20	36	35	Single
LWCA-40150UN-01	218	170	160	120	60	16.8	3000	24	60	36	Single
LWCA-40150SN-02				230	50	14.6	2500	19	57	36	Single
LWCA-40190UN-01	265	208	198	120	60	17.2	2900	24	77	38	Single
LWCA-40190SN-02				230	50	14.5	2400	19	68	36	Single
LWCA-40250UN-01	316	260	250	120	60	21.9	3000	24	98	38	Single
LWCA-40250SN-02				230	50	18.5	2500	19	90	37	Single
LWCA-40290UN-01	370	310	300	120	60	22.6	2800	23	113	39	Single
LWCA-40290SN-02				230	50	18.8	2400	19	106	38	Single
LWCA-40350UN-01	417	358	348	120	60	20.5	2900	24	152	39	Single
LWCA-40350SN-02				230	50	19.6	2500	19	132	37	Single
LWCA-40420UN-01	491	430	420	120	60	21.6	2700	22	170	38	Single
LWCA-40420SN-02				230	50	20.0	2500	19	163	37	Single

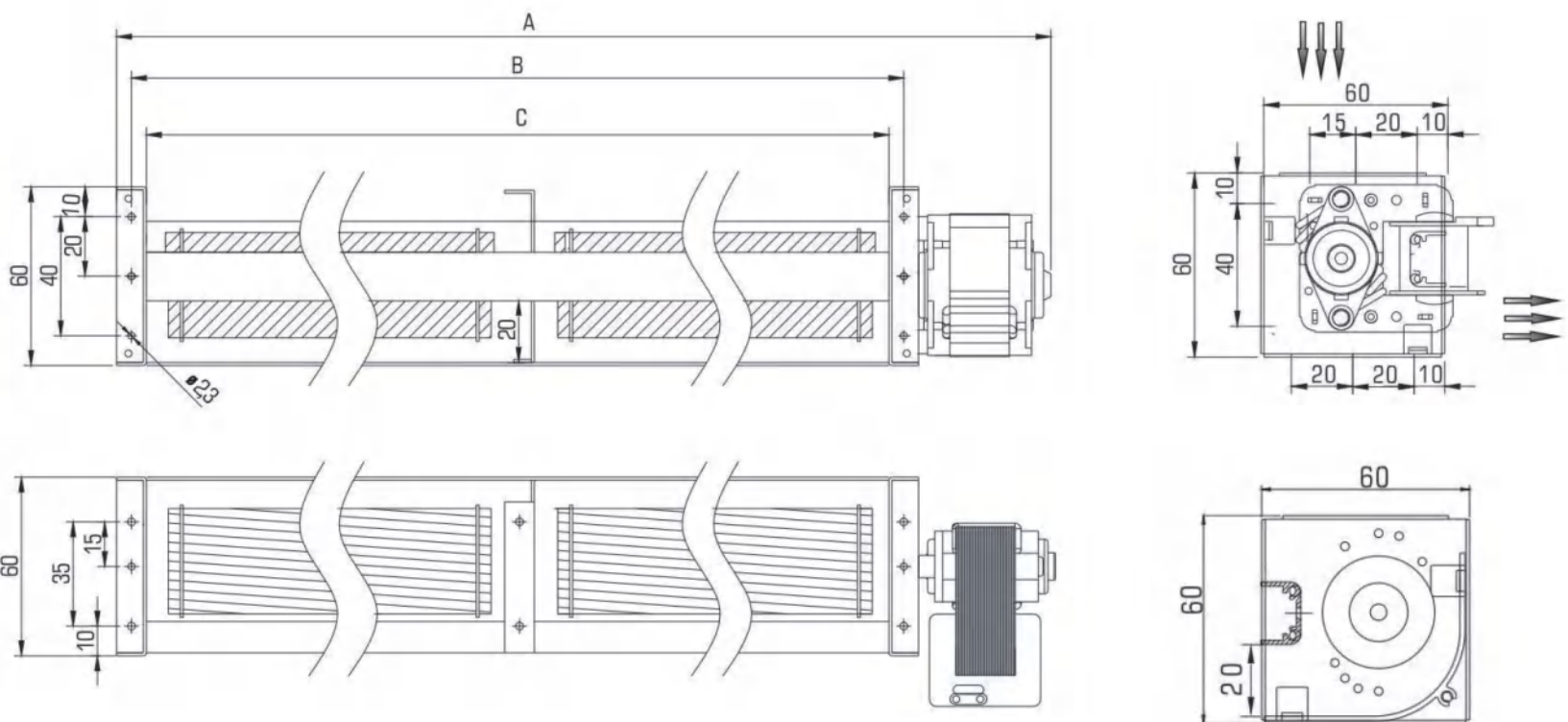
LWCA-40 Series

Product Characteristic

- Motor Type : AC Shaded Pole Motor
- Housing Material : Galvanized Sheet Steel
- Blade Material : Aluminum Alloy
- Insulation Class : B/F/H
- Bearing Type: Ball bearing
- Operation Temperature : - 25 °C ~ +60 °C



Product Drawing



Technical Specifications

Model	Dimension(mm)			Voltage V	Frequency Hz	Power W	Speed RPM	Pressure mmH2O/Pa	Airflow m³/h	Noise dB(A)	Blower
	A	B	C								
LWCA-40530SN-01	500	540	530	220	50	20	2000	19	140	36	Double
LWCA-40610SN-01	680	620	610	220	50	20	1950	19	150	35	Double
LWCA-40700SN-01	770	710	700	220	50	21	1750	18	155	34	Double
LWCA-40800SN-01	870	810	800	220	50	16	2300	18	205	36	Triple
LWCA-40854SN-01	924	864	854	220	50	16	2200	18	209	37	Triple
LWCA-40920SN-01	990	930	920	220	50	17	2100	18	222	37	Triple
LWCA-401055SN-01	1125	1065	1055	220	50	17	2100	18	255	38	Triple

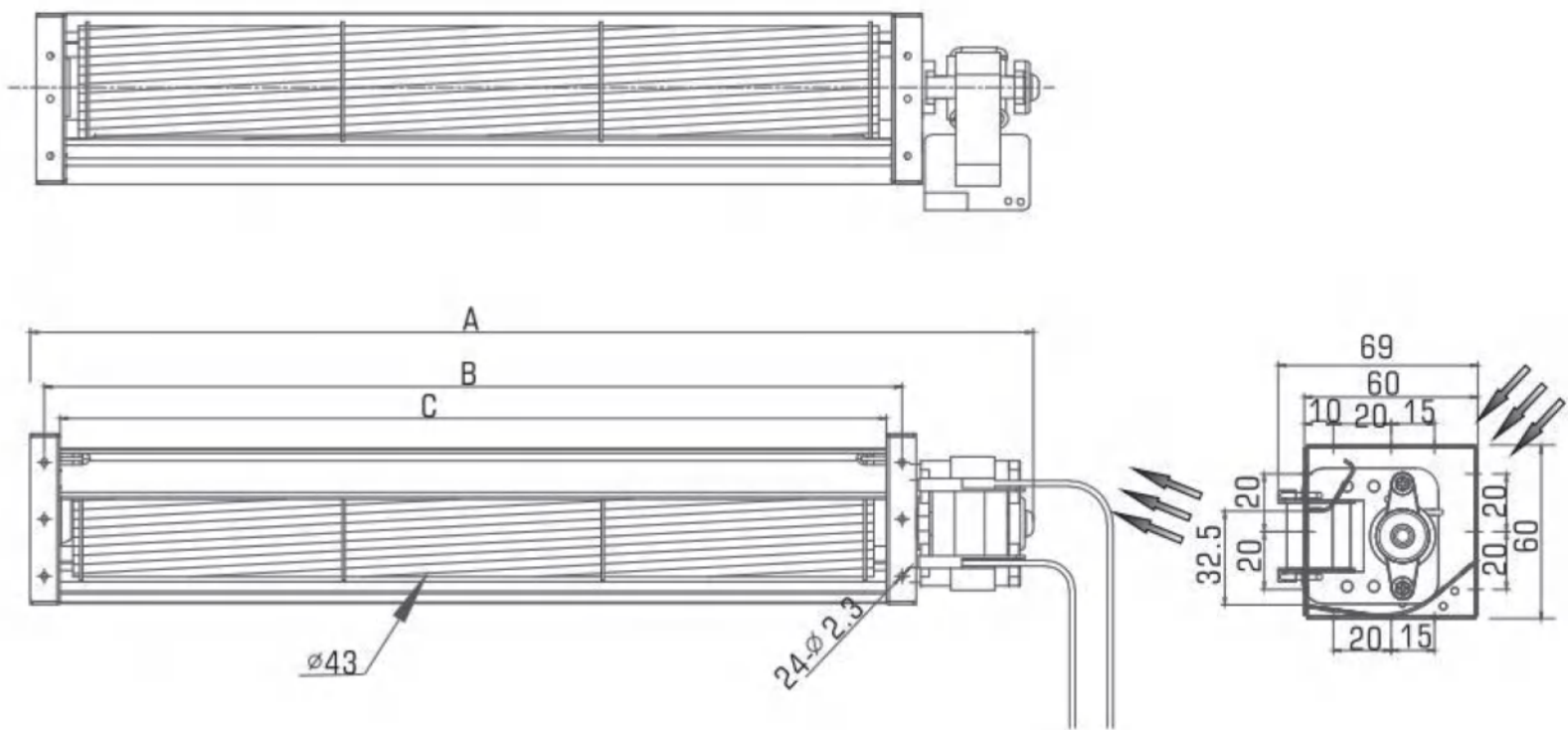
LWCA-43 Series

Product Characteristic

- Motor Type : AC Shaded Pole Motor
- Housing Material : Galvanized Sheet Steel
- Blade Material : Aluminum Alloy
- Insulation Class : B/F/H
- Bearing Type: Ball bearing
- Operation Temperature : - 25 °C ~ +60 °C



Product Drawing



Technical Specifications

Model	Dimension(mm)			Voltage V	Frequency Hz	Power W	Speed RPM	Pressure mmH2O/Pa	Airflow m³/h	Noise dB(A)	Blower
	A	B	C								
LWCA-4390UN-01	158	108	98	120	60	17	3000	22	48	37	Single
LWCA-4390SN-02				230	50	14	2700	18	41	37	Single
LWCA-43150UN-01	218	170	160	120	60	17	3000	22	72	38	Single
LWCA-43150SN-02				230	50	15	2500	16	61	38	Single
LWCA-43190UN-01	265	208	198	120	60	18	2900	22	86	39	Single
LWCA-43190SN-02				230	50	15	2400	14	70	38	Single
LWCA-43250UN-01	316	260	250	120	60	22	2800	21	110	39	Single
LWCA-43250SN-02				230	50	19	2500	15	90	38	Single
LWCA-43290UN-01	370	310	300	120	60	23	2800	21	135	40	Single
LWCA-43290SN-02				230	50	19	2300	11	115	37	Single
LWCA-43350UN-01	417	358	348	120	60	21	2700	19	150	41	Single
LWCA-43350SN-02				230	50	21	2400	15	130	39	Single
LWCA-43420UN-01	491	430	420	120	60	22	2600	20	170	42	Single
LWCA-43420SN-02				230	50	21	2300	11	163	40	Single

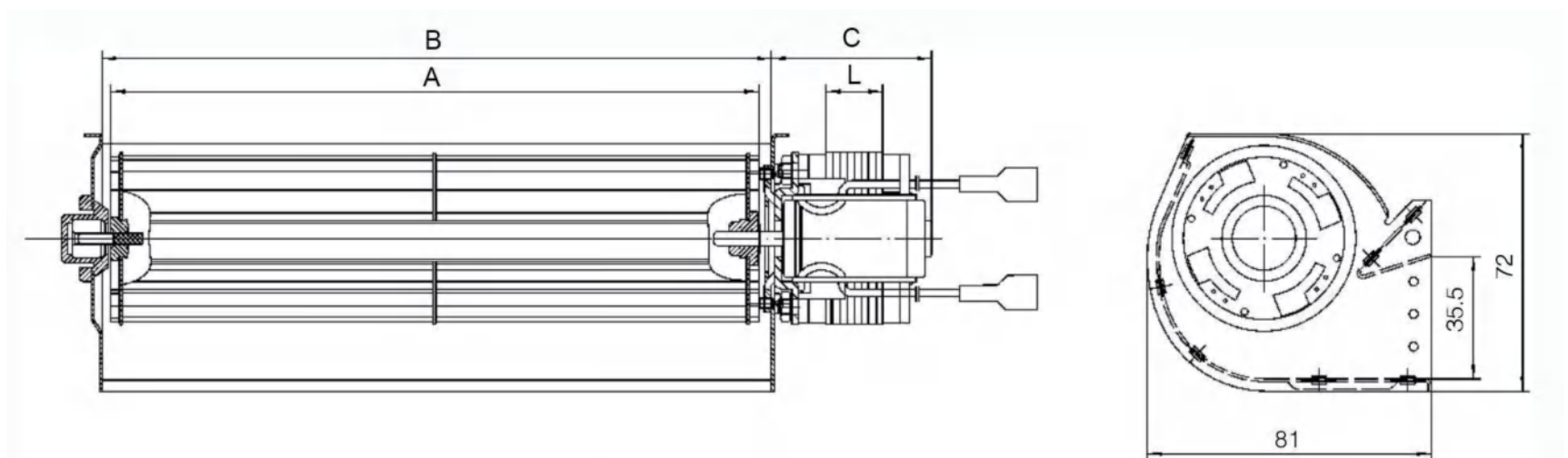
LWCA-45 Series

Product Characteristic

- Motor Type : AC Shaded Pole Motor
- Housing Material : Galvanized Sheet Steel
- Blade Material : Aluminum Alloy
- Insulation Class : B/F/H
- Bearing Type: Ball bearing
- Operation Temperature : - 25 °C ~ +60 °C



Product Drawing



Technical Specifications

Model	Dimension(mm)				Voltage V	Frequency Hz	Power W	Speed RPM	Pressure mmH2O/Pa	Airflow m³/h	Noise dB(A)	Blower
	A	B	C	L								
LWCA-45120SN-01	120	126	45	16	220	50	15	2200	6.7/67	83	41	Single
LWCA-45180SN-01	180	186	45	16	220	50	27	2350	7.2/72	135	43	Single
LWCA-45240SN-01	240	246	45	16	220	50	33	2200	6.9/69	180	43	Single
LWCA-45300SN-01	300	306	54	20	220	50	33	2100	6.9/69	204	48	Single
LWCA-45360SN-01	360	366	54	20	220	50	42	1800	6.8/68	235	51	Single

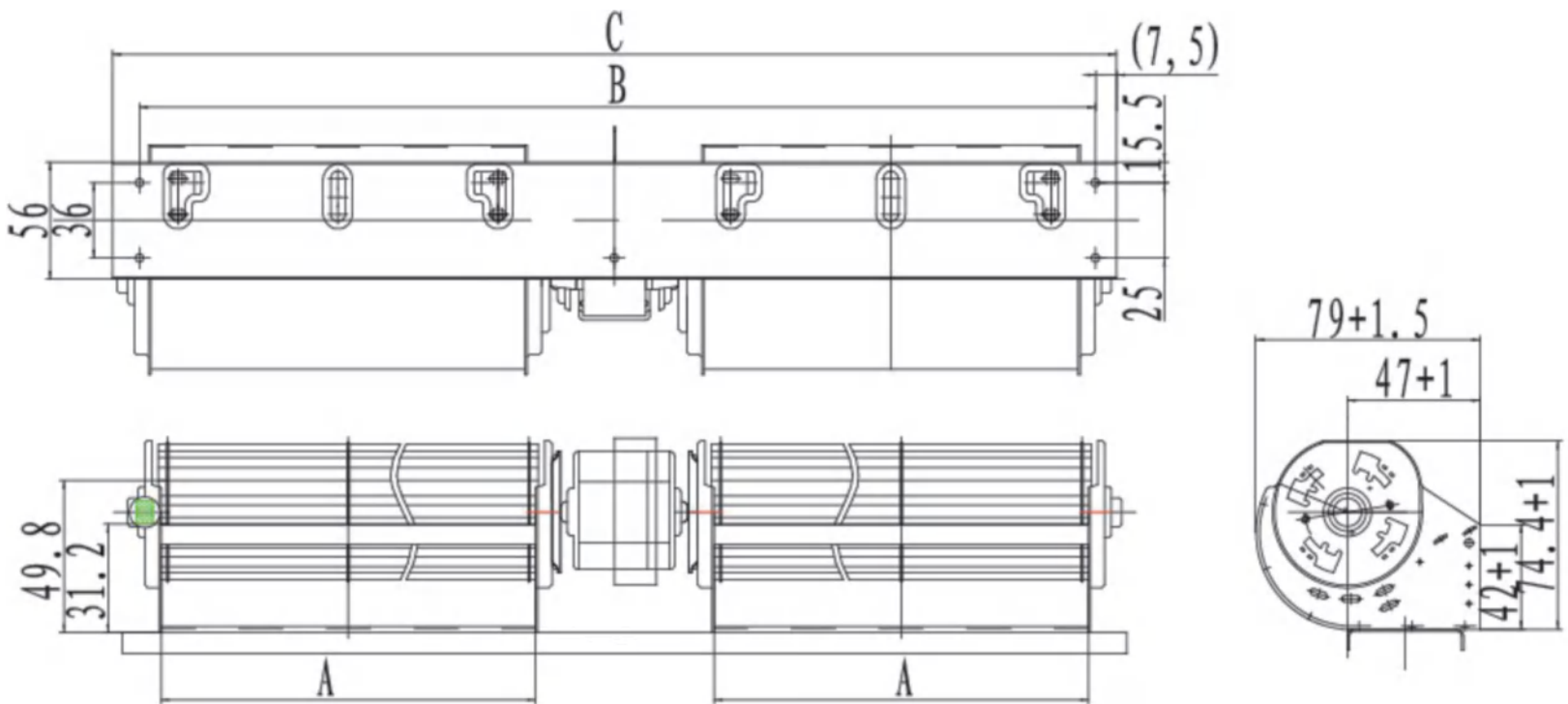
LWCA-45 Series

Product Characteristic

- Motor Type : AC Shaded Pole Motor
- Housing Material : Galvanized Sheet Steel
- Blade Material : Aluminum Alloy
- Insulation Class : B/F/H
- Bearing Type: Ball bearing
- Operation Temperature : - 25 °C ~ +60 °C



Product Drawing



Technical Specifications

Model	Dimension(mm)			Voltage V	Frequency Hz	Power W	Speed RPM	Pressure mmH2O/Pa	Airflow m³/h	Noise dB(A)	Blower
	A	B	C								
LWCA-45120SN-02	120	350	346	220	50	30	2300	5.7/57	158	43	Double
LWCA-45180SN-02	180	480	486	220	50	33	2200	6.2/62	219	45	Double
LWCA-45240SN-02	240	580	586	220	50	47	2000	6.5/65	329	46	Double
LWCA-45300SN-02	300	700	706	220	50	39	1650	4.7/47	348	47	Double

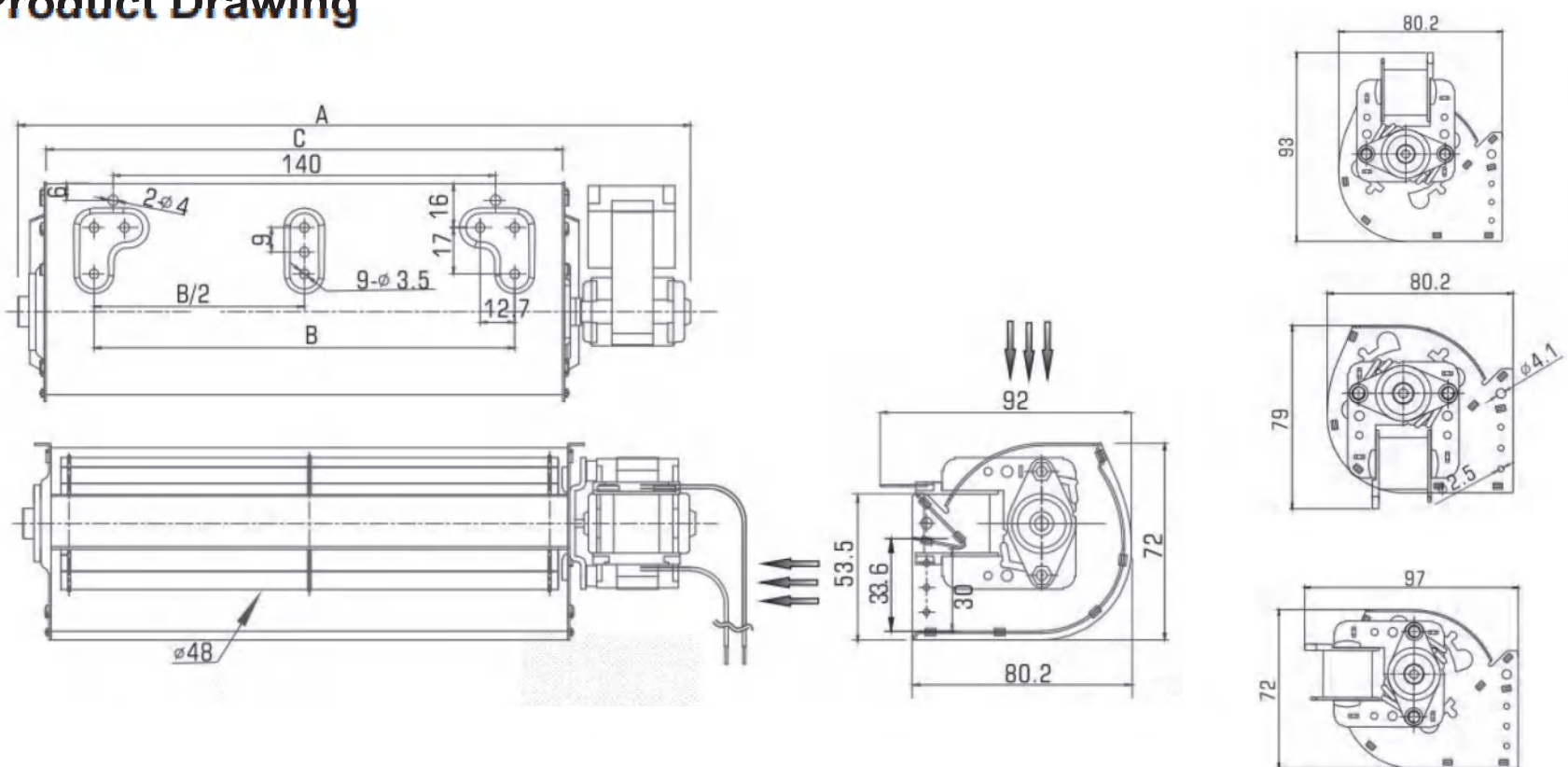
LWCA-48 Series

Product Characteristic

- Motor Type : AC Shaded Pole Motor
- Housing Material : Galvanized Sheet Steel
- Blade Material : Aluminum Alloy
- Insulation Class : B/F/H
- Bearing Type: Ball bearing
- Operation Temperature : - 25 °C ~ +60 °C



Product Drawing



Technical Specifications

Model	Dimension(mm)			Voltage V	Frequency Hz	Power W	Speed RPM	Pressure mmH2O/Pa	Airflow m³/h	Noise dB(A)	Blower
	A	B	C								
LWCA-48100SN-01	150	66	99	220	50	7.5	1800	30	64	36	Single
LWCA-48150SN-02	200	114	150	220	50	11	1600	28	81	33	Single
LWCA-48187SN-03	246	154	189	220	50	18	1500	26	105	32	Single
LWCA-48240SN-04	298	206	240	220	50	29	2400	40	168	46	Single
LWCA-48250SN-05	310	216	252	220	50	29	2400	40	213	46	Single
LWCA-48300SN-06	361	269	303	220	50	30	2000	35	264	40	Single
LWCA-48350SN-01	413	314	348	220	50	35	2200	38	307	43	Single
LWCA-48420SN-01	483	384	418	220	50	35	2000	35	343	44	Single

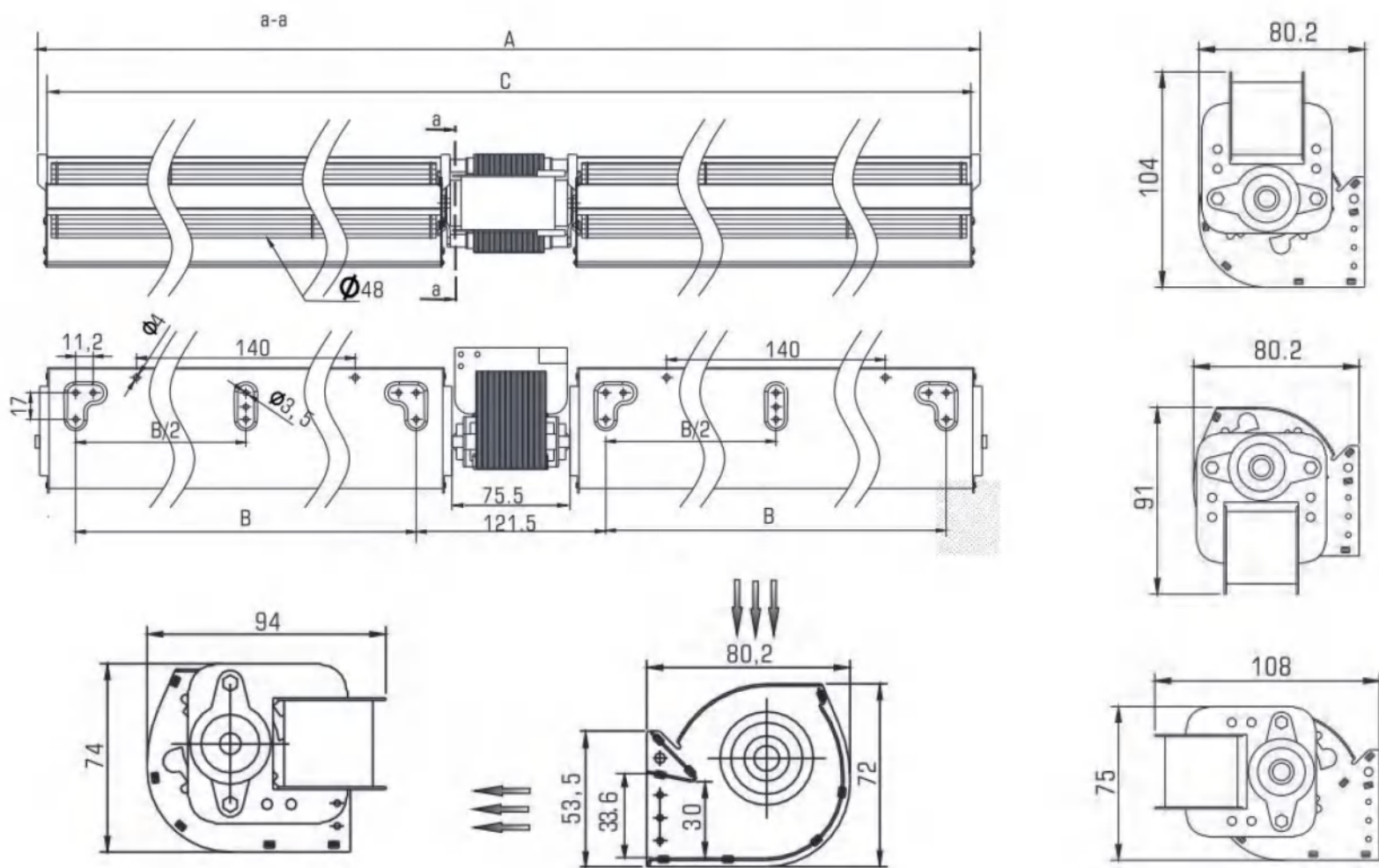
LWCA-48 Series

Product Characteristic

- Motor Type : AC Shaded Pole Motor
- Housing Material : Galvanized Sheet Steel
- Blade Material : Aluminum Alloy
- Insulation Class : B/F/H
- Bearing Type: Ball bearing
- Operation Temperature : - 25 °C ~ +60 °C



Product Drawing



Technical Specifications

Model	Dimension(mm)			Voltage V	Frequency Hz	Power W	Speed RPM	Pressure mmH2O/Pa	Airflow m³/h	Noise dB(A)	Blower
	A	B	C								
LWCA-48240SN-02	584	208	572	220	50	43	2300	34	370	42	Double
LWCA-48300SN-02	706	269	694	220	50	46	2100	33	350	40	Double
LWCA-48350SN-02	796	314	784	220	50	47	1500	28	280	38	Double
LWCA-48420SN-02	936	384	924	220	50	47	1350	25	270	36	Double

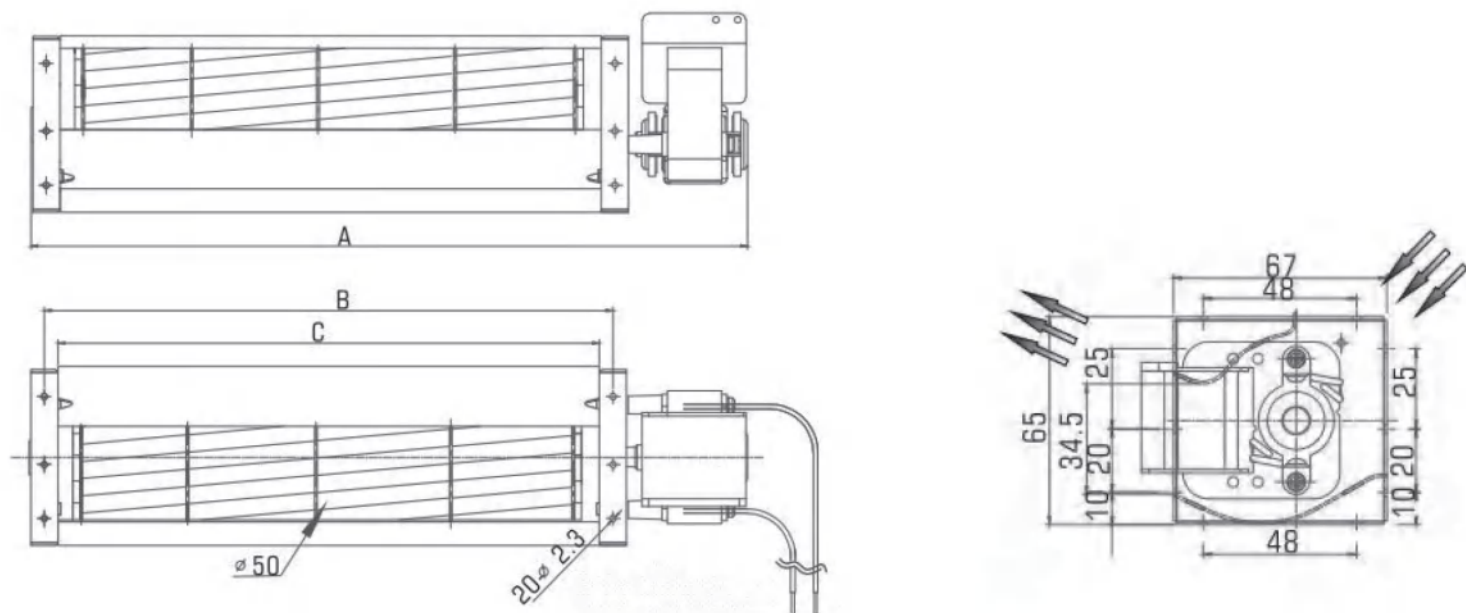
LWCA-50 Series

Product Characteristic

- Motor Type : AC Shaded Pole Motor
- Housing Material : Galvanized Sheet Steel
- Blade Material : Aluminum Alloy
- Insulation Class : B/F/H
- Bearing Type: Ball bearing
- Operation Temperature : - 25 °C ~ +60 °C



Product Drawing



Technical Specifications

Model	Dimension(mm)			Voltage V	Frequency Hz	Power W	Speed RPM	Pressure mmH2O/Pa	Airflow m³/h	Noise dB(A)	Blower
	A	B	C								
LWCA-5090UN-01	163	110	100	120	60	20.7	3200	44	60	40	Single
LWCA-5090SN-02				220	50	17	2700	37	50	40	Single
LWCA-50150UN-01	223	170	160	120	60	21.6	3100	41	106	40	Single
LWCA-50150SN-02				220	50	17.3	2500	37	90	40	Single
LWCA-50190UN-01	263	210	200	120	60	23.3	3000	40	150	42	Single
LWCA-50190SN-02				220	50	17.6	2500	38	125	42	Single
LWCA-50250UN-01	318	260	250	120	60	19.7	3000	42	190	44	Single
LWCA-50250SN-02				220	50	19.8	3600	39	153	42	Single
LWCA-50290UN-01	368	310	300	120	60	20	2800	45	199	45	Single
LWCA-50290SN-02				220	50	19.6	2500	40	187	43	Single
LWCA-50350UN-01	428	370	360	120	60	20.9	2700	49	225	48	Single
LWCA-50350SN-02				220	50	20	2500	44	216	48	Single
LWCA-50420UN-01	488	430	420	120	60	22.1	2500	54	252	52	Single
LWCA-50420SN-02				220	50	21.1	2300	49	206	49	Single

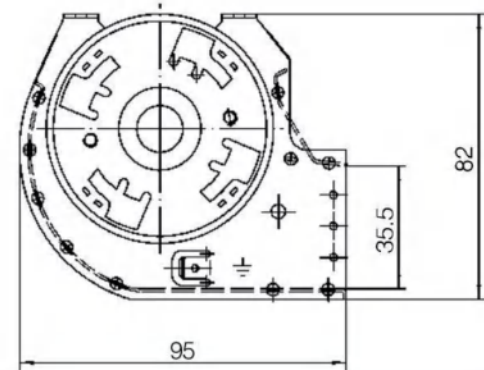
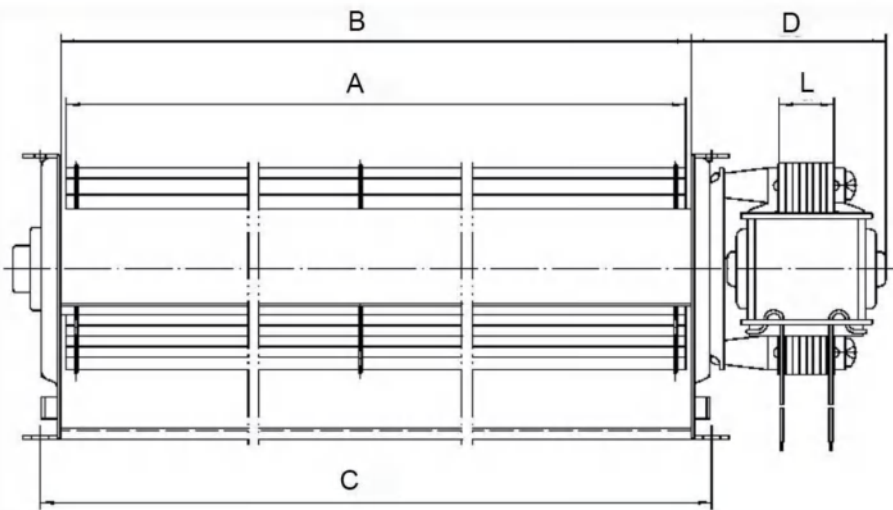
LWCA-60 Series

Product Characteristic

- Motor Type : AC Shaded Pole Motor
- Housing Material : Galvanized Sheet Steel
- Blade Material : Aluminum Alloy
- Insulation Class : B/F/H
- Bearing Type: Ball bearing
- Operation Temperature : - 25 °C ~ +60 °C



Product Drawing



Technical Specifications

Model	Dimension(mm)					Voltage V	Frequency Hz	Power W	Speed RPM	Pressure mmH2O/Pa	Airflow m³/h	Noise dB(A)	Blower
	A	B	C	D	L								
LWCA-60120SN-01	120	123	135	56	16	220	50	20	2600	7.2/72	110	51	Single
LWCA-60180SN-01	180	183	195	56	16	220	50	21	1750	6.1/61	120	46	Single
LWCA-60240SN-01	240	243	255	60	20	220	50	40	2500	7.0/70	220	48	Single
LWCA-60300SN-01	300	303	315	60	20	220	50	51	2700	7.5/75	290	55	Single
LWCA-60360SN-01	360	363	375	68	30	220	50	35	1450	5.3/53	185	41	Single
LWCA-60420SN-01	420	423	435	68	30	220	50	55	2300	7.1/71	340	50	Single
LWCA-60480SN-01	480	483	495	80	40	220	50	56	2100	6.8/68	355	49	Single

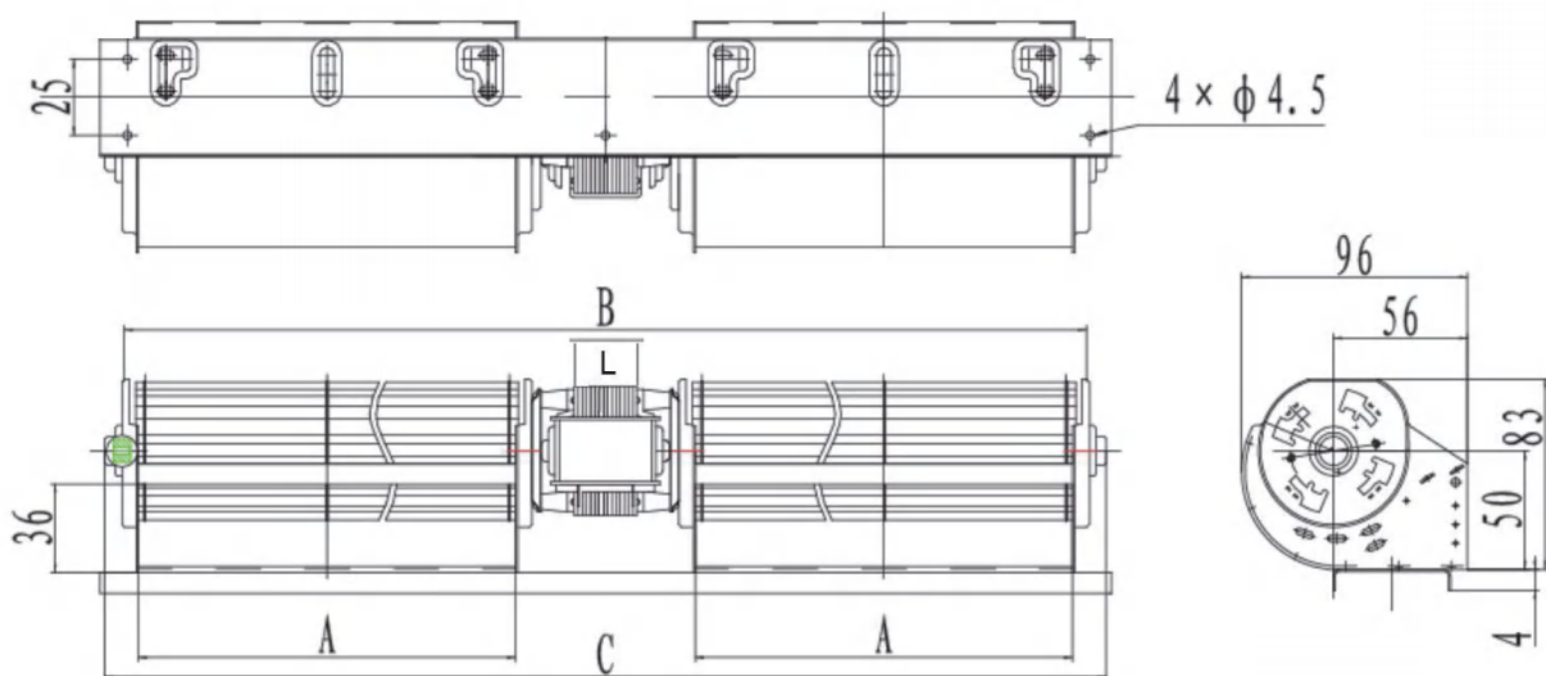
LWCA-60 Series

Product Characteristic

- Motor Type : AC Shaded Pole Motor
- Housing Material : Galvanized Sheet Steel
- Blade Material : Aluminum Alloy
- Insulation Class : B/F/H
- Bearing Type: Ball bearing
- Operation Temperature : - 25 °C ~ +60 °C



Product Drawing



Technical Specifications

Model	Dimension(mm)				Voltage V	Frequency Hz	Power W	Speed RPM	Pressure mmH2O/Pa	Airflow m³/h	Noise dB(A)	Blower
	A	B	C	L								
LWCA-60120SN-02	120	355	350	22	220	50	30	2300	5.2/52	140	42	Double
LWCA-60180SN-02	180	485	590	22	220	50	33	2200	5.4/54	260	43	Double
LWCA-60240SN-02	240	585	590	25	220	50	47	2000	5.7/57	300	45	Double
LWCA-60300SN-02	300	795	800	25	220	50	39	1650	6.5/65	420	47	Double

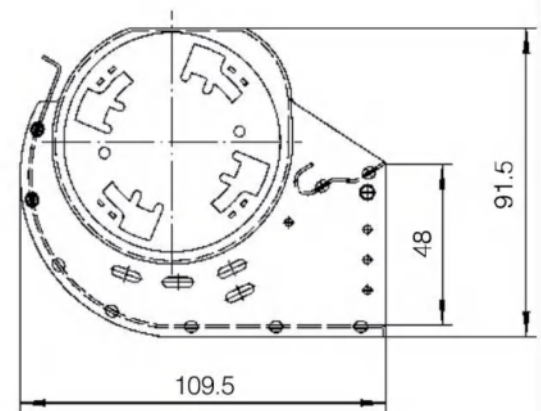
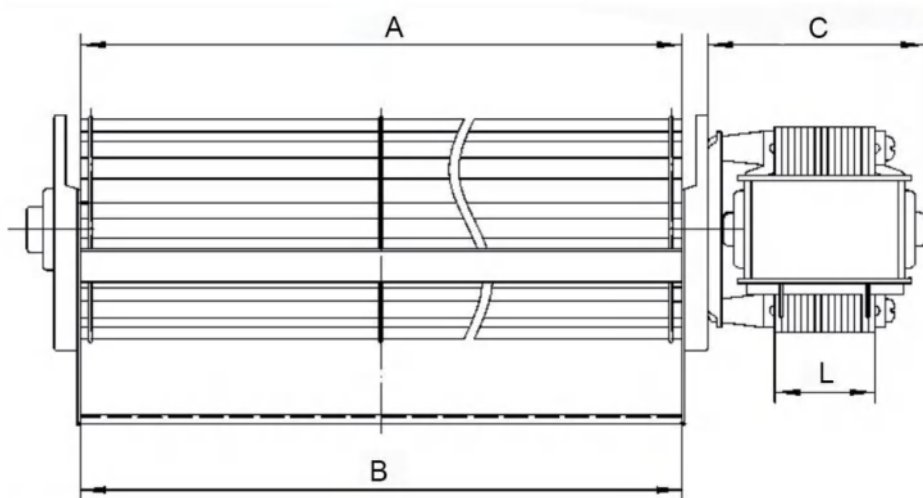
LWCA-65 Series

Product Characteristic

- Motor Type : AC Shaded Pole Motor
- Housing Material : Galvanized Sheet Steel
- Blade Material : Aluminum Alloy
- Insulation Class : B/F/H
- Bearing Type: Ball bearing
- Operation Temperature : - 25 °C ~ +60 °C



Product Drawing



Technical Specifications

Model	Dimension(mm)				Voltage V	Frequency Hz	Power W	Speed RPM	Pressure mmH2O/Pa	Airflow m³/h	Noise dB(A)	Blower
	A	B	C	L								
LWCA-65120SN-01	120	120	56	16	220	50	24	2200	8.1/8.1	210	46	Single
LWCA-65180SN-01	180	180	56	16	220	50	43	2250	8.2/8.2	320	50	Single
LWCA-65240SN-01	240	240	60	20	220	50	50	2180	8.1/8.1	410	51	Single
LWCA-65300SN-01	300	300	60	20	220	50	56	2000	7.3/73	465	51	Single
LWCA-65360SN-01	360	360	68	30	220	50	60	1800	6.7/67	500	49	Single
LWCA-65420SN-01	420	420	68	30	220	50	60	1600	5.5/55	505	50	Single
LWCA-65480SN-01	480	480	80	40	220	50	65	1500	5.5/55	540	51	Single

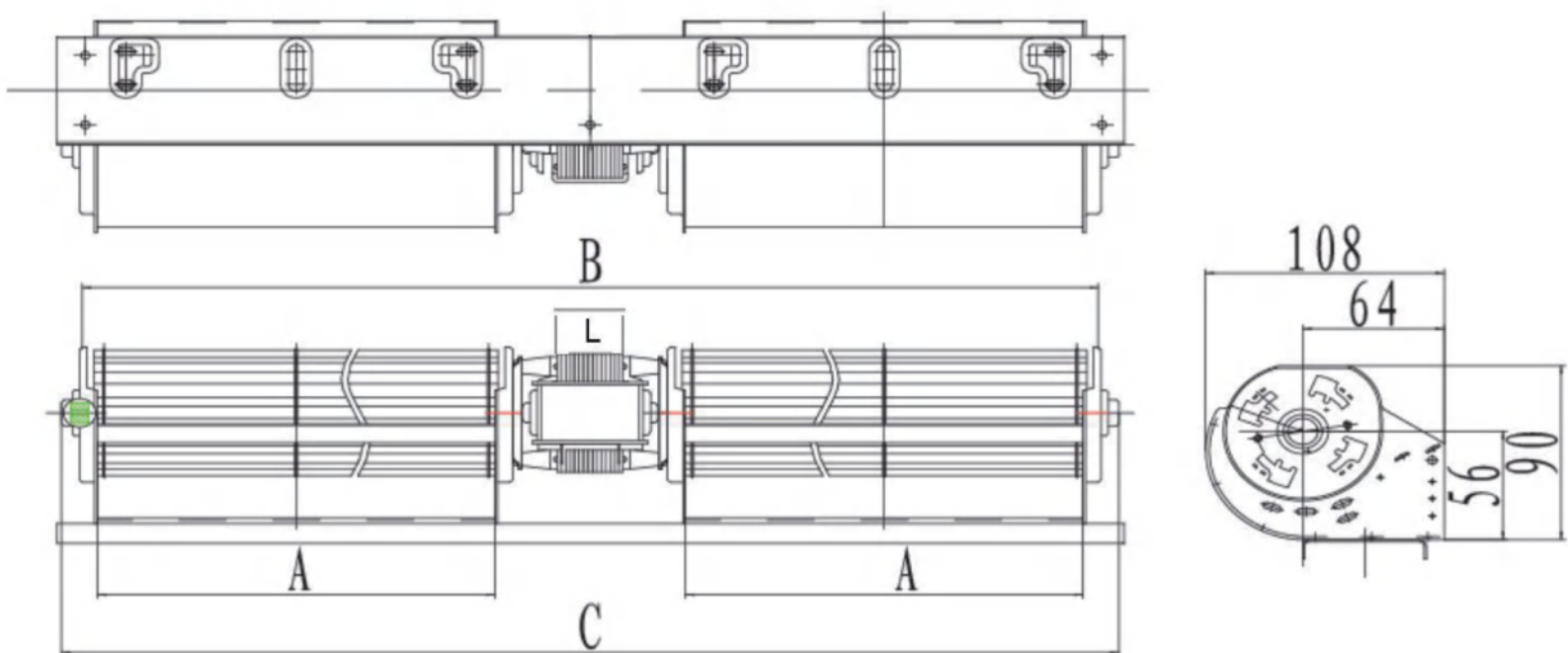
LWCA-65 Series

Product Characteristic

- Motor Type : AC Shaded Pole Motor
- Housing Material : Galvanized Sheet Steel
- Blade Material : Aluminum Alloy
- Insulation Class : B/F/H
- Bearing Type: Ball bearing
- Operation Temperature : -25 °C ~ +60 °C



Product Drawing



Technical Specifications

Model	Dimension(mm)				Voltage V	Frequency Hz	Power W	Speed RPM	Pressure mmH2O/Pa	Airflow m³/h	Noise dB(A)	Blower
	A	B	C	L								
LWCA-65120SN-02	120	355	360	25	220	50	54	2300	8.7/87	275	38	Double
LWCA-65180SN-02	180	485	590	25	220	50	51	2200	6.8/68	300	39	Double
LWCA-65240SN-02	240	585	590	28	220	50	55	2000	6.7/67	330	40	Double
LWCA-65300SN-02	300	795	800	30	220	50	72	1650	6.4/64	430	43	Double

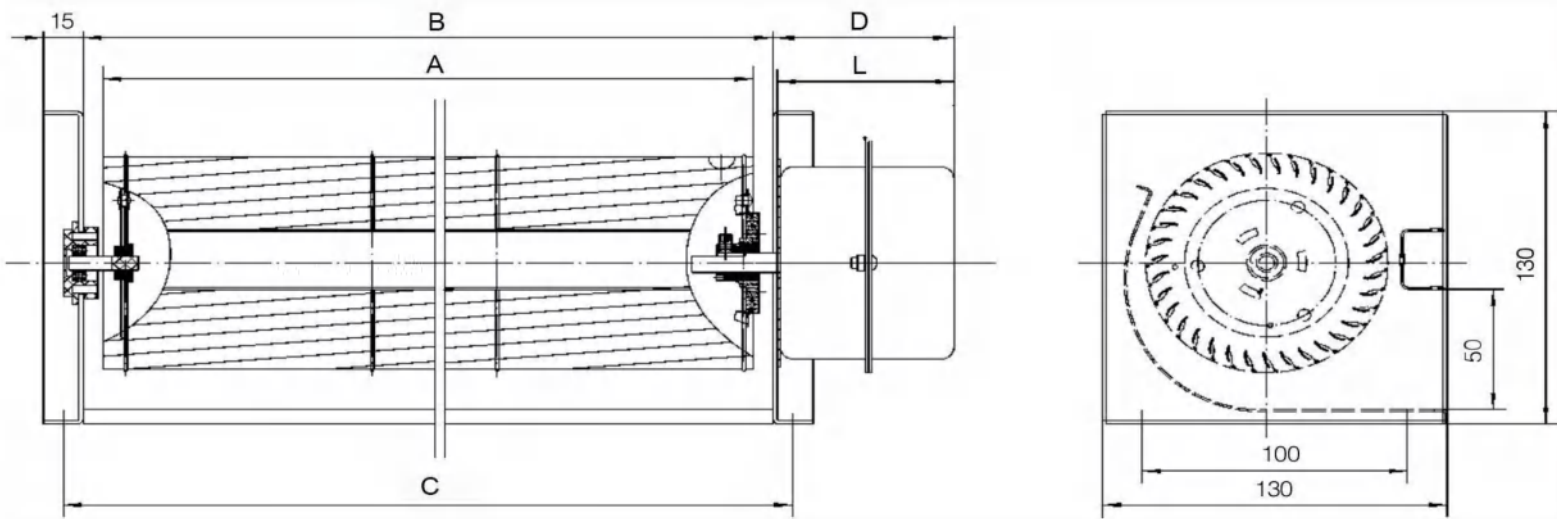
LWCA-80 Series

Product Characteristic

- Motor Type : AC Motor
- Housing Material : Galvanized Sheet Steel
- Blade Material : Aluminum Alloy
- Insulation Class : B/F/H
- Bearing Type: Ball bearing
- Operation Temperature : - 25 °C ~ +60 °C



Product Drawing



Technical Specifications

Model	Dimension(mm)					Voltage V	Frequency Hz	Power W	Speed RPM	Pressure mmH2O/Pa	Airflow m³/h	Noise dB(A)	Blower
	A	B	C	D	L								
LWCA-80150SN-01	150	165	180	70.5	69.2	220	50	15	1450	7.8/78	190	51	Single
LWCA-80240SN-01	240	295	310	70.5	69.2	220	50	24	1455	8.0/80	350	53	Single
LWCA-80360SN-01	360	375	390	70.5	69.2	220	50	28	1350	7.4/74	430	54	Single
LWCA-80500SN-01	500	515	530	70.5	69.2	220	50	36	1310	7.0/70	580	56	Single
LWCA-80650SN-01	650	665	680	70.5	69.2	220	50	48	1260	6.8/68	750	57	Single
LWCA-80700SN-01	700	715	730	70.5	69.2	220	50	55	1200	6.6/66	890	59	Single

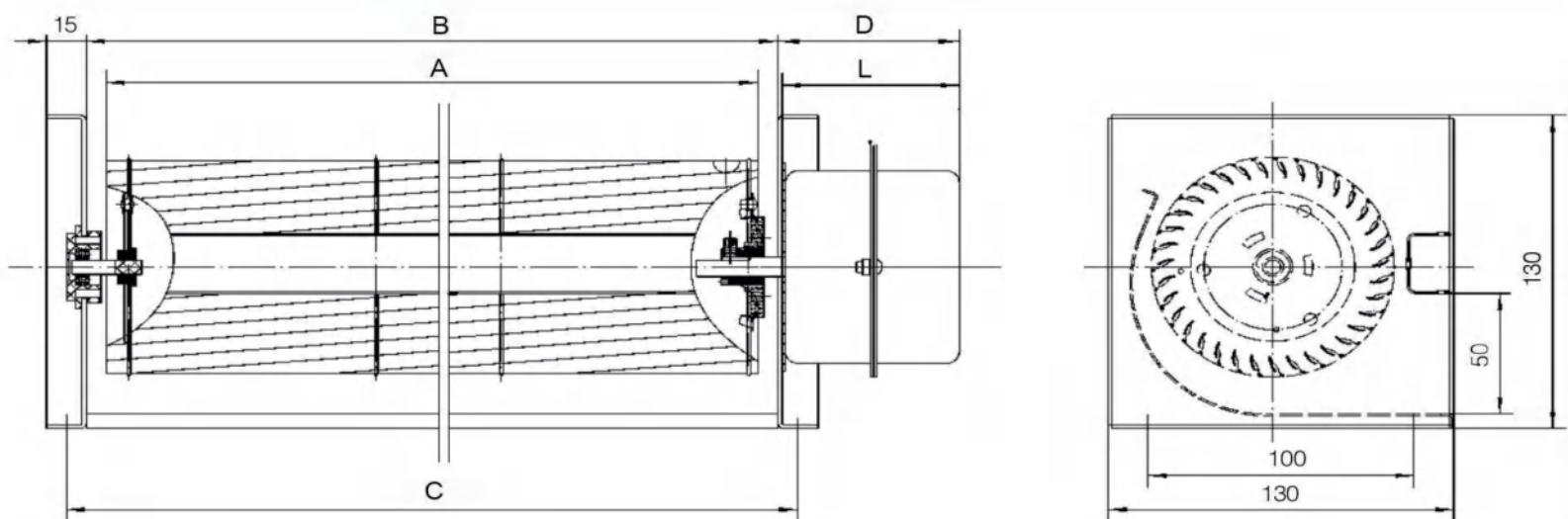
LWCA-90 Series

Product Characteristic

- Motor Type : AC Motor
- Housing Material : Galvanized Sheet Steel
- Blade Material : Aluminum Alloy
- Insulation Class : B/F/H
- Bearing Type: Ball bearing
- Operation Temperature : - 25 °C ~ +60 °C



Product Drawing



Technical Specifications

Model	Dimension(mm)					Voltage V	Frequency Hz	Power W	Speed RPM	Pressure mmH2O/Pa	Airflow m³/h	Noise dB(A)	Blower
	A	B	C	D	L								
LWCA-90180SN-01	180	195	210	70.5	69.2	220	50	20	1440	8.5/85	295	50	Single
LWCA-90300SN-01	300	315	330	70.5	69.2	220	50	30	1550	8.8/88	385	51	Single
LWCA-90350SN-01	350	365	380	70.5	69.2	220	50	40	1440	8.5/85	563	53	Single
LWCA-90500SN-01	500	515	530	70.5	69.2	220	50	45	1180	7.3/73	680	57	Single
LWCA-90560SN-01	560	575	590	71.5	70.2	220	50	55	1350	8.3/83	790	58	Single
LWCA-90650SN-01	650	665	680	72.5	71.2	220	50	55	1200	7.5/75	875	59	Single
LWCA-90780SN-01	780	795	810	73.5	72.2	220	50	75	1300	8.2/82	1100	61	Single
LWCA-90930SN-01	930	945	960	74.5	73.2	220	50	85	1200	7.9/79	1325	63	Single

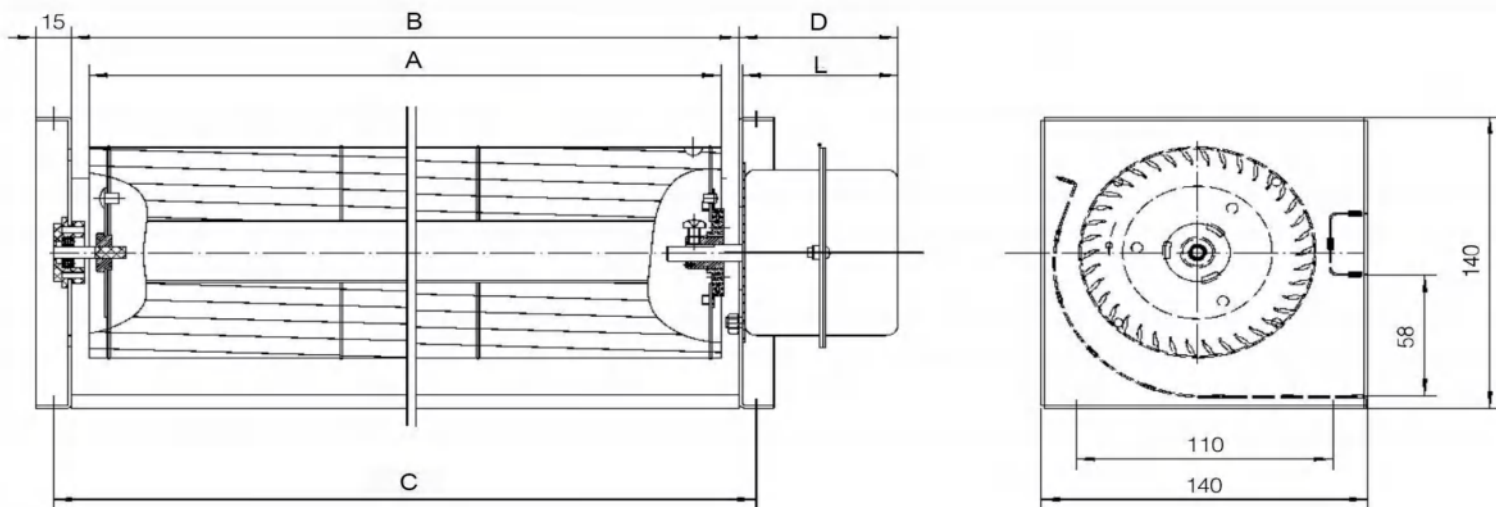
LWCA-100 Series

Product Characteristic

- Motor Type : AC Motor
- Housing Material : Galvanized Sheet Steel
- Blade Material : Aluminum Alloy
- Insulation Class : B/F/H
- Bearing Type: Ball bearing
- Operation Temperature : - 25 °C ~ +60 °C



Product Drawing



Technical Specifications

Model	Dimension(mm)					Voltage V	Frequency Hz	Power W	Speed RPM	Pressure mmH2O/Pa	Airflow m³/h	Noise dB(A)	Blower
	A	B	C	D	L								
LWCA-100180SN-01	180	195	210	70.5	69.2	220	50	22	1360	9.3/93	350	52	Single
LWCA-100350SN-01	350	365	380	70.5	69.2	220	50	40	1260	9.1/91	645	53	Single
LWCA-100500SN-01	500	515	530	70.5	69.2	220	50	50	1230	9.0/90	910	58	Single
LWCA-100780SN-01	780	795	810	70.5	69.2	220	50	65	1080	7.8/78	1200	62	Single

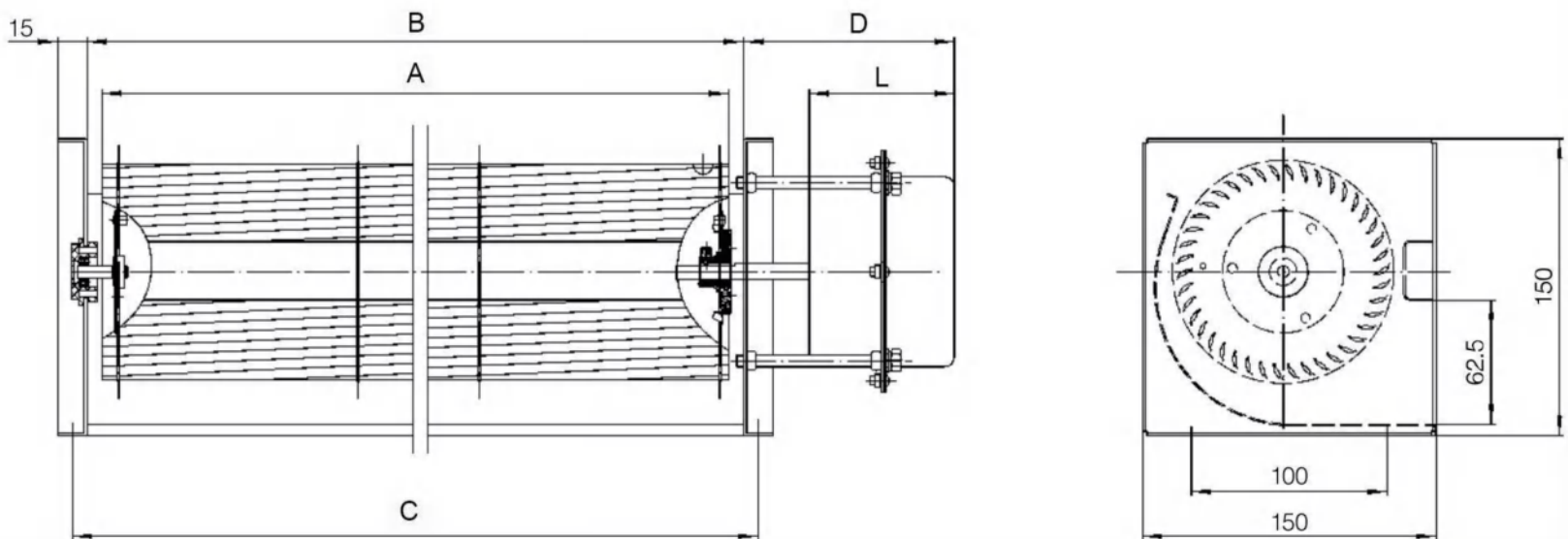
LWCA-110 Series

Product Characteristic

- Motor Type : AC Motor
- Housing Material : Galvanized Sheet Steel
- Blade Material : Aluminum Alloy
- Insulation Class : B/F/H
- Bearing Type: Ball bearing
- Operation Temperature : -25 °C ~ +60 °C



Product Drawing



Technical Specifications

Model	Dimension(mm)					Voltage V	Frequency Hz	Power W	Speed RPM	Pressure mmH2O/Pa	Airflow m³/h	Noise dB(A)	Blower
	A	B	C	D	L								
LWCA-110180SN-01	180	195	210	108	75	220	50	45	1460	9.5/95	525	51	Single
LWCA-110350SN-01	350	365	380	108	75	220	50	70	1380	9.2/92	956	53	Single
LWCA-110500SN-01	500	515	530	108	75	220	50	100	1240	8.9/89	1270	58	Single
LWCA-110780SN-01	780	765	780	108	75	220	50	120	1225	10.0/100	1750	60	Single

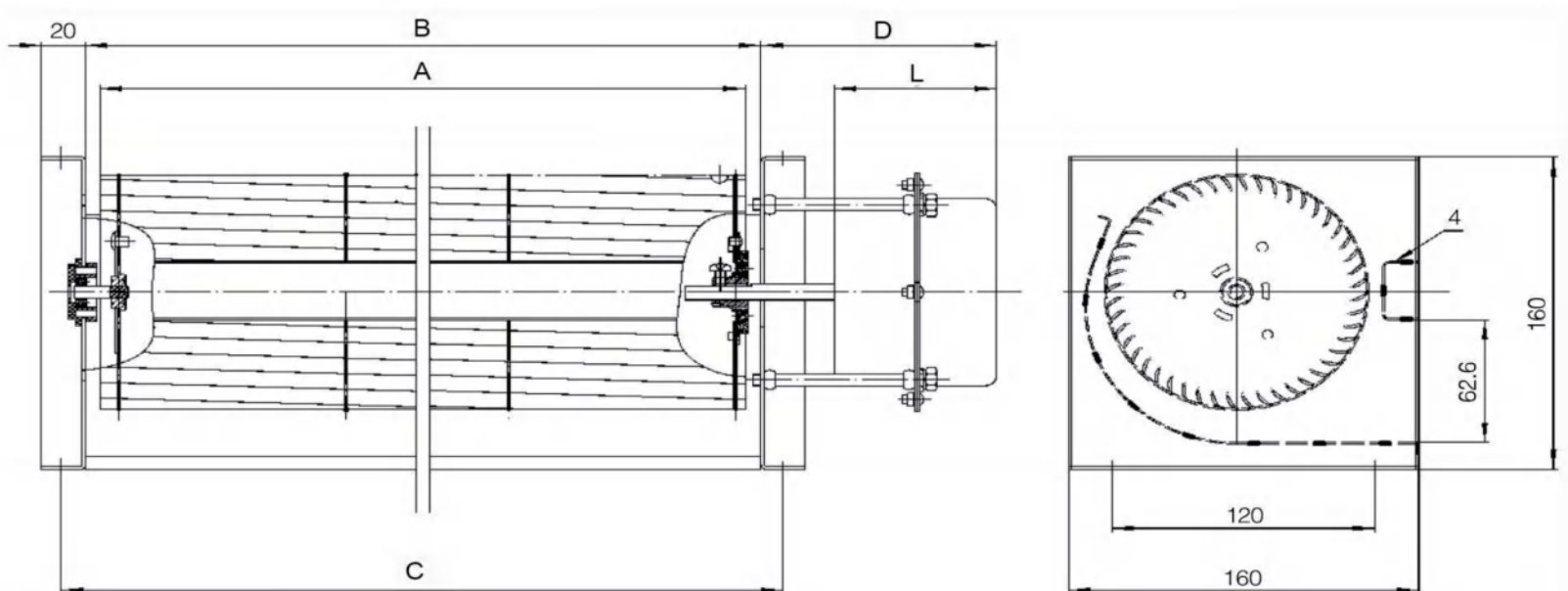
LWCA-120 Series

Product Characteristic

- Motor Type : AC Motor
- Housing Material : Galvanized Sheet Steel
- Blade Material : Aluminum Alloy
- Insulation Class : B/F/H
- Bearing Type: Ball bearing
- Operation Temperature : - 25 °C ~ +60 °C



Product Drawing



Technical Specifications

Model	Dimension(mm)					Voltage V	Frequency Hz	Power W	Speed RPM	Pressure mmH2O/Pa	Airflow m³/h	Noise dB(A)	Blower
	A	B	C	D	L								
LWCA-120180SN-01	180	195	210	108	75	220	50	40	1410	9.9/99	520	54	Single
LWCA-120350SN-01	350	365	380	108	75	220	50	60	1350	9.8/98	968	58	Single
LWCA-120500SN-01	500	515	530	108	75	220	50	62	1100	10.0/100	1055	59	Single
LWCA-120560SN-01	560	575	590	108	75	220	50	70	1050	9.9/99	1310	60	Single
LWCA-120700SN-01	700	715	730	108	75	220	50	78	980	9.8/101	1450	61	Single
LWCA-120780SN-01	780	795	810	108	75	220	50	85	960	9.6/96	1620	63	Single
LWCA-120900SN-01	900	915	930	108	75	220	50	97	950	9.5/105	1800	65	Single

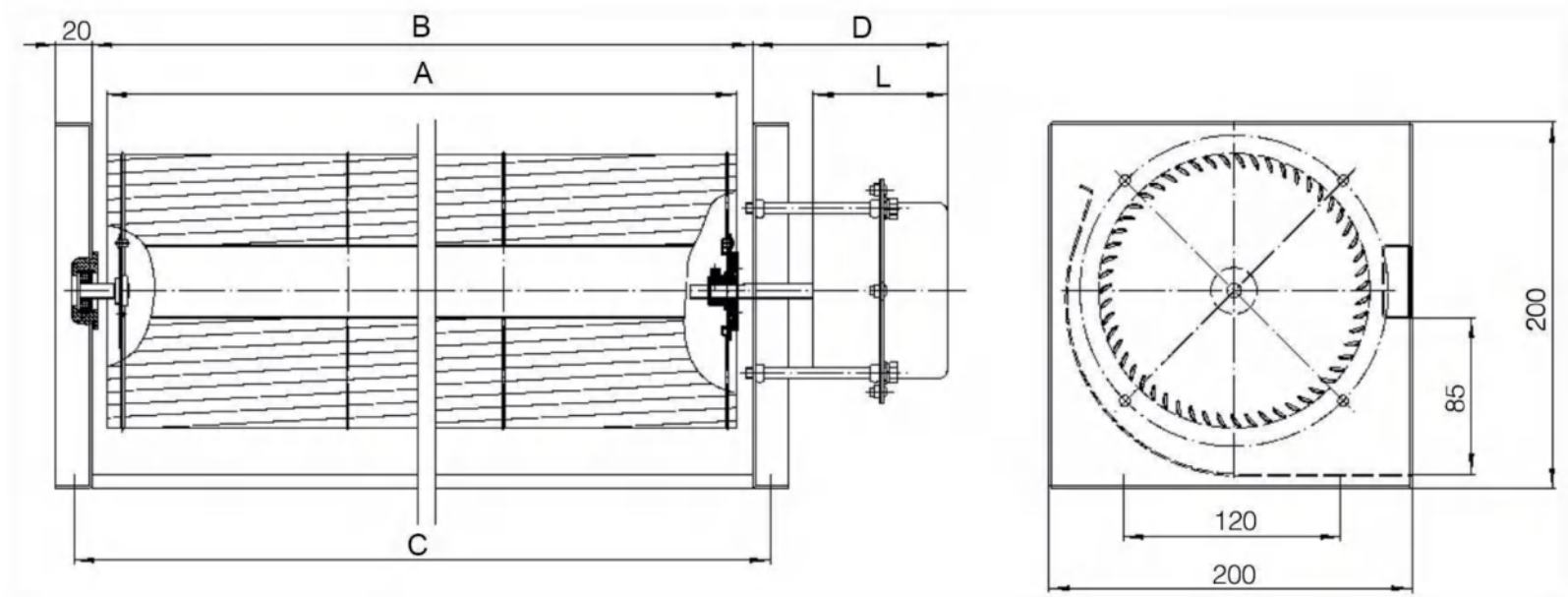
LWCA-150 Series

Product Characteristic

- Motor Type : AC Motor
- Housing Material : Galvanized Sheet Steel
- Blade Material : Aluminum Alloy
- Insulation Class : B/F/H
- Bearing Type: Ball bearing
- Operation Temperature : - 25 °C ~ +60 °C



Product Drawing



Technical Specifications

Model	Dimension(mm)					Voltage V	Frequency Hz	Power W	Speed RPM	Pressure mmH2O/Pa	Airflow m³/h	Noise dB(A)	Blower
	A	B	C	D	L								
LWCA-150180SN-01	180	270	298	108	75	220	50	95	1160	9.9/99	1080	58	Single
LWCA-150350SN-01	350	368	388	108	75	220	50	125	1130	9.8/98	1460	59	Single
LWCA-150500SN-01	500	518	538	108	75	220	50	165	1050	10.0/100	2050	61	Single
LWCA-150700SN-01	700	718	732	112	78	220	50	225	1000	10.2/102	2850	64	Single
LWCA-150900SN-01	900	918	938	125	90	220	50	285	960	9.2/92	3250	68	Single
LWCA-1501200SN-01	1200	1215	1235	200	150	220	50	335	900	9.1/91	4250	71	Single