

# Saunatonnttu 3,4,6 and 8



Heater guard rail is an accessory.

## Application

Heaters are designed for insulated saunas sized 3-17 m<sup>3</sup> (see table).

## Dimensions

Width	500 mm
Height	1090 mm
Weight	50 kg
Stones	approx. 100 kg



## Structure

The heater outer casing is made of painted corrosion-resistant steel plate. The frame is made of stainless steel. The heater contains a large, insulated stone compartment, whose temperature is maintained by a 'simmering heat' function.

## Mounting

The heater is mounted standing on the floor.

## Electrical installation

The heater is connected to a three-phase electrical connection (see 'Electrical connections' on pg. 2).

## Control system

The heater is equipped with a factory-installed control unit, which is placed inside the sauna room. Heater temperature is maintained at a simmering heat of 100 W, 200 W or 300 W. During a sauna, the heater can be time or cover-controlled. In time control the control unit activates full power for the desired time of 15, 30 or 60 minutes. In cover control the sensor monitors the temperature in the stone compartment and switches the resistors on or off based on the reading. The stone compartment temperature varies when the cover is opened or closed.



## Saunatonnttu sauna heaters

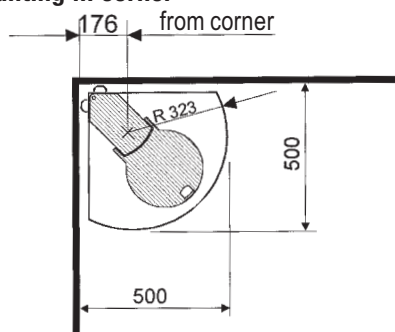
Model	Type	Power kW	Simmering heat kW	Sauna m <sup>3</sup> *)	Min. sauna height mm
Saunatonnttu 3	2000734	3,4	0,1 0,2 0,3	3 - 8	1900
Saunatonnttu 4	2000748	4,8	0,1 0,2 0,3	5 - 11	1900
Saunatonnttu 6	2000764	6,4	0,1 0,2 0,3	7 - 14	1900
Saunatonnttu 8	2000780	8,0	0,1 0,2 0,3	9 - 17	2100 <sup>1)</sup>

\*) Volumes calculated for fully insulated sauna rooms.

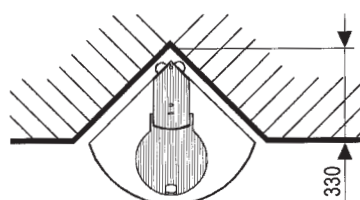
<sup>1)</sup> Sauna rooms 9-14 m<sup>3</sup> min. height 1900 mm.

## Safety distances and wall mounting

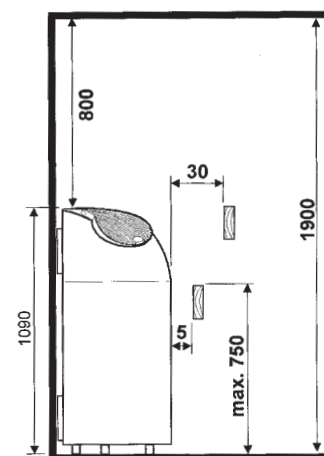
### Mounting in corner



### Mounting in recess



Min. distances mm

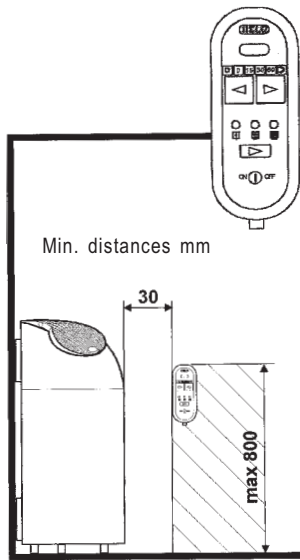


Safety distance 5 mm

# Saunatonnttu 3, 4, 6 and 8



Mounting control unit inside sauna room



## Accessories

Heater guard rail – wooden  
Heater guard rail – colour:  
stainless steel

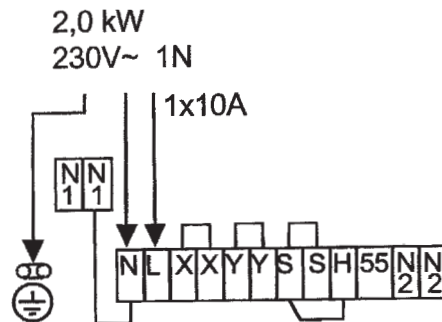
For more detailed mounting information, consult the mounting and operating instructions included with the sauna heater.

## Electrical connections

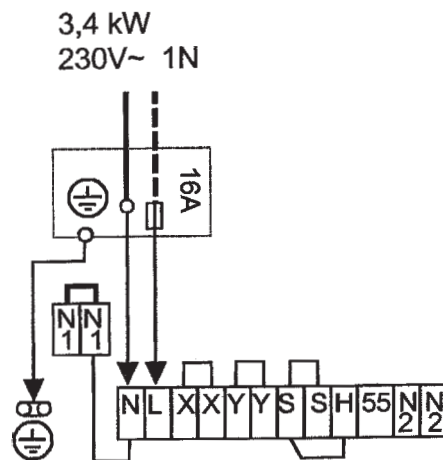
The heater is connected using a semi-fixed H0 7 RN-F (or similar) rubber-sheathed cable.

## Wiring diagram

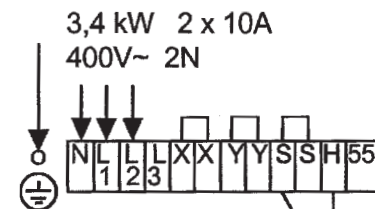
### Saunatonnttu 3



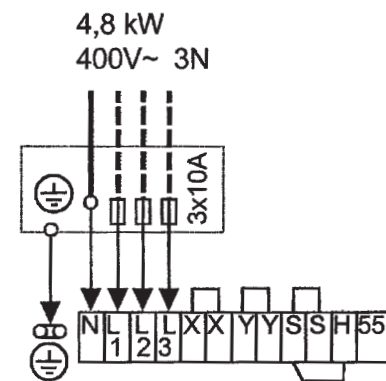
### Saunatonnttu 3



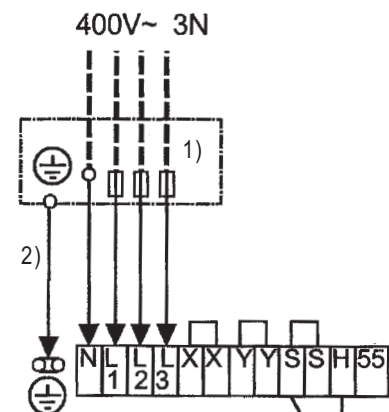
### Saunatonnttu 4



### Saunatonnttu 4



**Saunatonnttu 6** 1) 3 x 10A 2) 5G 1,5  
**Saunatonnttu 8** 1) 3 x 16A 2) 5G 2,5



Saunatec Group Ltd  
P.O. Box 15, FIN-10901 Hanko  
Tel +358 19 280 7300  
Fax +358 19 248 5043

info@saunatec.fi  
www.saunatec.fi