



Capacitive Proximity Sensors Cylindrical threaded housing, CM18

CM18-12NPP-KW1



SICK
Sensor Intelligence.

Model Name > [CM18-12NPP-KW1](#)
Part No. > [6020389](#)



At a glance

- M18 - Cylindrical housing
- Adjustable sensing range of 1 to 8 mm flush and 1 to 12 mm non-flush installation
- Best-in-class electromagnetic compatibility
- Short-circuit reverse polarity and power-up pulse suppression protection
- LED status indicator
- Sensitivity control with potentiometer
- IP 67 enclosure rating
- Complementary output function

Your benefits

- Space saving installation with M18 cylindrical mounting
- Quick and easy adjustment via potentiometer saves installation and setup time
- Simple and save detection alternative to photoelectric and inductive sensors in applications such as detecting product in a sealed box, container or tank
- High EMC immunity prevents false switching, which reduces material loss and increases throughput
- High shock and vibration resistance increases sensor life and reduces maintenance costs



Features

Housing:	Cylindrical
Thread size:	M18 x 1
Sensing range Sn:	12 mm
Assured sensing range Sa:	8.64 mm
Installation type:	Non-flush
Sensitivity adjustment:	Potentiometer, 270°
Switching frequency:	30 Hz
Switching output:	PNP
Output function:	Complementary
Electrical wiring:	DC 4-wire
Enclosure rating:	IP 67 ¹⁾
Connection type:	Cable, 4-wire, 2 m ²⁾

¹⁾ According to EN 60529 ²⁾ Do not bend below 0 °C

Mechanics/electronics

Supply voltage:	10 V DC ... 36 V
Ripple:	≤ 10 % ¹⁾
Voltage drop:	≤ 2.5 V DC ²⁾
Current consumption:	≤ 10 mA ³⁾
Time delay before availability:	≤ 100 ms
Hysteresis:	4 % ... 20 %
Repeatability:	≤ 5 % ^{4) 5)}
Temperature drift (of Sr):	± 10 %
EMC:	According to EN 60947-5-2 ⁶⁾
Output current I _a :	≤ 200 mA
Cable material:	PVC
Conductor cross-section:	0.34 mm ²
Short-circuit protection:	✓
Reverse polarity protection:	✓
Power-up pulse protection:	✓
Shock/vibration:	30 g, 11 ms/10 ... 55 Hz, 1 mm
Ambient operating temperature:	-25 °C ... +80 °C
Housing material:	PBT
Housing length:	79.5 mm
Thread length:	46.5 mm
Tightening torque, max.:	2.6 Nm

¹⁾ Of U_b ²⁾ At I_a max ³⁾ Without load ⁴⁾ Of Sr ⁵⁾ U_b and T_a constant ⁶⁾ In EMC critical applications, conducted interference levels may lie in the frequency range of the oscillator. This can cause changes to the output signal.(see operating instructions)

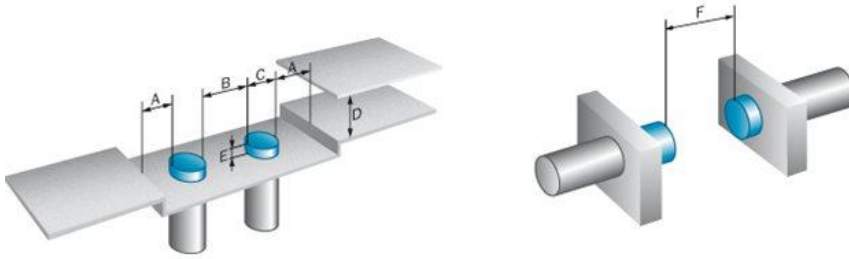
Reduction factors

Note:	The values are reference values which may vary
Metal:	1
Water:	1
PVC:	Ca. 0.4
Oil:	Ca. 0.25

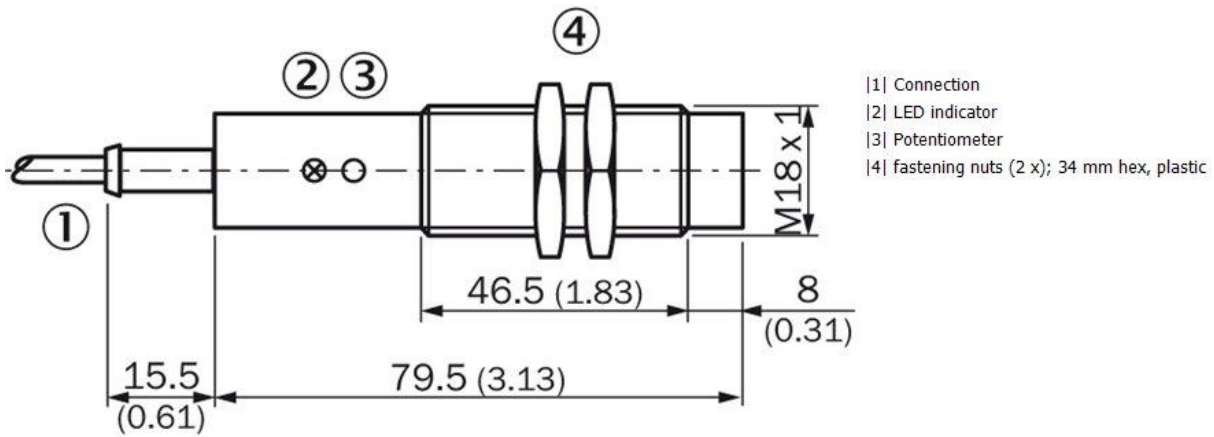
Installation note

Remark:	Associated graphic see "Installation"
A:	18 mm
B:	36 mm
C:	18 mm
D:	36 mm
E:	24 mm

Installation note

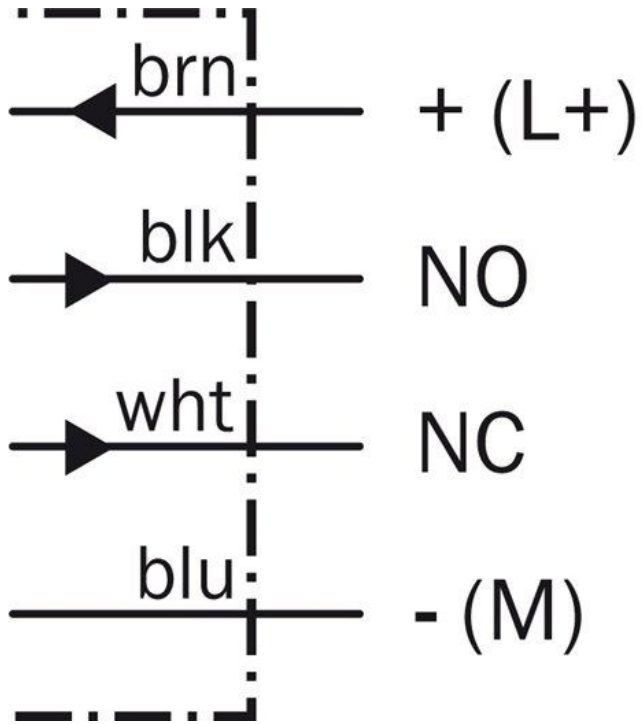


Dimensional drawing



All dimensions in mm (inch)

Connection diagram



Connection type

