

# Product data sheet

Specifications



## Regenerative unit, Altivar, 15kW, for Altivar variable speed drive

ATVRD15N4

### Main

Range of product	Altivar
Range compatibility	Altivar Machine ATV340 Altivar Machine ATV320 Altivar Process ATV900
Product or component type	Power module
Device application	Energy regeneration
[Us] rated supply voltage	380...500 V - 15...10 %
[Ue] rated operational voltage	456...778 V DC
Rated power in W	13.5 kW

### Complementary

Network frequency	45...65 Hz
Network number of phases	3 phases
fixing mode	By screws
Maximum voltage drop at rated load	3 %
Electrical connection	Control: removable screw terminal block: 0.5...1.5 mm <sup>2</sup> , AWG 20...AWG 16 (bottom) Power supply: removable screw terminal block: 6 mm <sup>2</sup> , AWG 8 (top) DC bus: removable screw terminal block: 6 mm <sup>2</sup> , AWG 8 (bottom)
Input current	31.8 A at 380 V AC for voltage inputs (continuous) 27.9 A at 500 V AC for voltage inputs (continuous) 43.1 A at 380 V AC for voltage inputs (transient for 60 s) 36.3 A at 500 V AC for voltage inputs (transient for 60 s)
Input power	13.5 kW at 380...500 V AC for voltage inputs (continuous) 20.3 kW at 380...500 V AC for voltage inputs (transient for 60 s)
Maximum DC bus voltage	300...880 V DC
Output current	25.9 A at 380 V AC (continuous) 23.2 A at 500 V AC (continuous) 36.5 A at 380 V AC (transient for 60 s) 29.7 A at 500 V AC (transient for 60 s)
Width	105 mm
Height	399 mm
Depth	235 mm
Product weight	11.5 kg

### Environment

Standards	IEC 61800-3 IEC 61800-5-1
Product certifications	cUL

<b>Ambient air temperature for operation</b>	-10...50 °C without derating 50...60 °C with derating factor
<b>Ambient air temperature for storage</b>	-40...70 °C
<b>Operating altitude</b>	<= 1000 m without derating 1000...3000 m with power derating 1 % per 100 m
<b>Operating position</b>	Vertical or horizontal position
<b>Type of cooling</b>	Fan
<b>Environmental characteristic</b>	Chemical pollution resistance class 3C3 conforming to IEC 60721-3-3 Dust pollution resistance class 3S2 conforming to IEC 60721-3-3
<b>Pollution degree</b>	2 conforming to IEC 61800-5-1

## Packing Units

<b>Unit Type of Package 1</b>	PCE
<b>Number of Units in Package 1</b>	1
<b>Package 1 Height</b>	21.000 cm
<b>Package 1 Width</b>	32.000 cm
<b>Package 1 Length</b>	61.000 cm
<b>Package 1 Weight</b>	13.565 kg
<b>Unit Type of Package 2</b>	P06
<b>Number of Units in Package 2</b>	4
<b>Package 2 Height</b>	75.000 cm
<b>Package 2 Width</b>	60.000 cm
<b>Package 2 Length</b>	80.000 cm
<b>Package 2 Weight</b>	67.260 kg

## Contractual warranty

<b>Warranty (in months)</b>	18
-----------------------------	----



## Environmental Data

Schneider Electric aims to achieve Net Zero status by 2050 through supply chain partnerships, lower impact materials, and circularity via our ongoing “Use Better, Use Longer, Use Again” campaign to extend product lifetimes and recyclability.

[Environmental Data explained >](#)

[How we assess product sustainability >](#)



### Environmental footprint

Total lifecycle Carbon footprint	5 869 kg CO2 eq.
Carbon footprint of the manufacturing phase [A1 to A3]	103 kg CO2 eq.
Carbon footprint of the distribution phase [A4]	3 kg CO2 eq.
Carbon footprint of the installation phase [A5]	2 kg CO2 eq.
Carbon footprint of the use phase [B2, B3, B4, B6]	5 730 kg CO2 eq.
Carbon footprint of the end-of-life phase [C1 to C4]	31 kg CO2 eq.
Environmental Disclosure	<a href="#">Product Environmental Profile</a>

## Use Better



### Materials and Substances

Packaging made with recycled cardboard	Yes
Packaging without single use plastic	Yes
SCIP Number	3cdc8ab3-8fe3-443c-ac80-3723e2a86fb2
EU RoHS Directive	<a href="#">Compliant By Exemption</a>
REACH Regulation	<a href="#">Reference contains Substances of Very High Concern above the threshold</a>

## Use Longer




### Lifetime extension

Repair	No
--------	----

## Use Again



### Repack and remanufacture

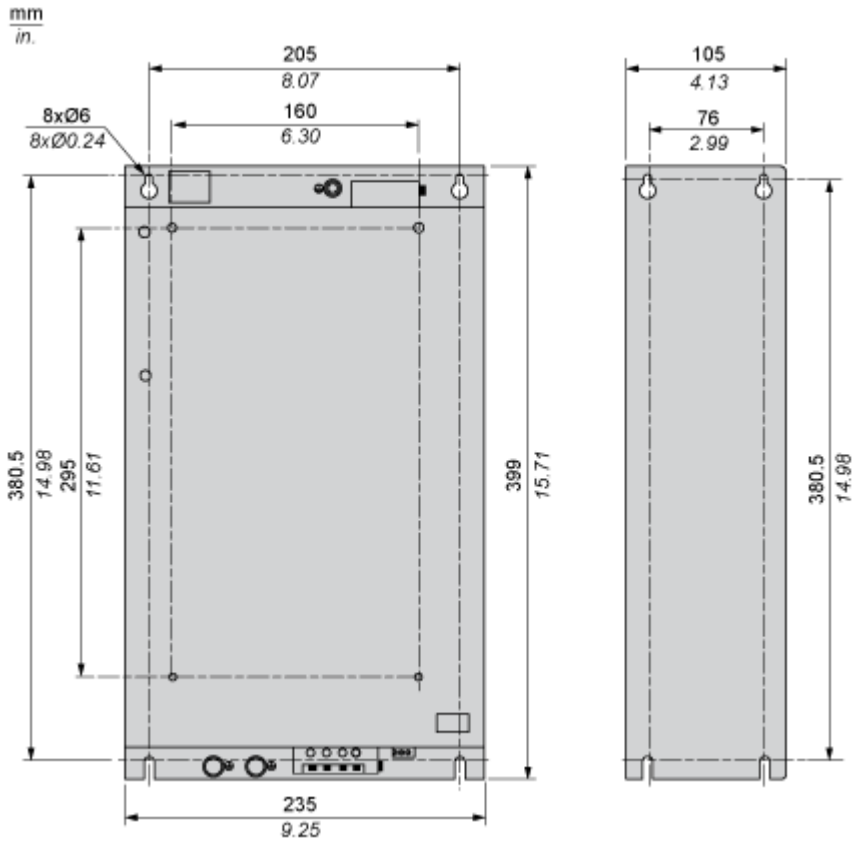
Recyclability potential, in %	91
End of life manual availability	<a href="#">End of Life Information</a>
Take-back	No
WEEE Label	 The product must be disposed on European Union markets following specific waste collection and never end up in rubbish bins

Dimensions Drawings

Dimensions

---

Front and Side Views

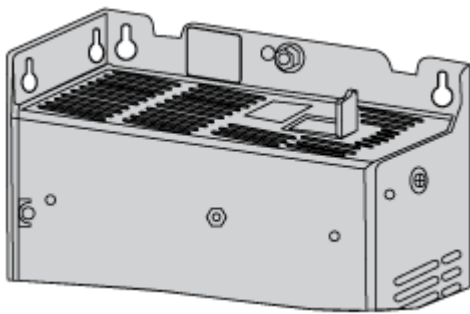
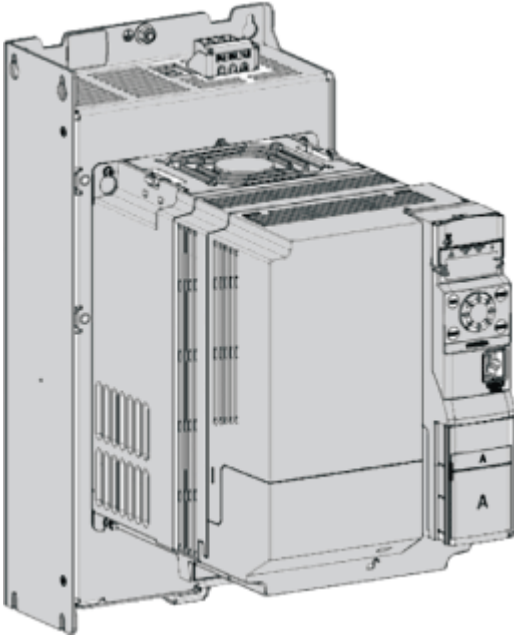


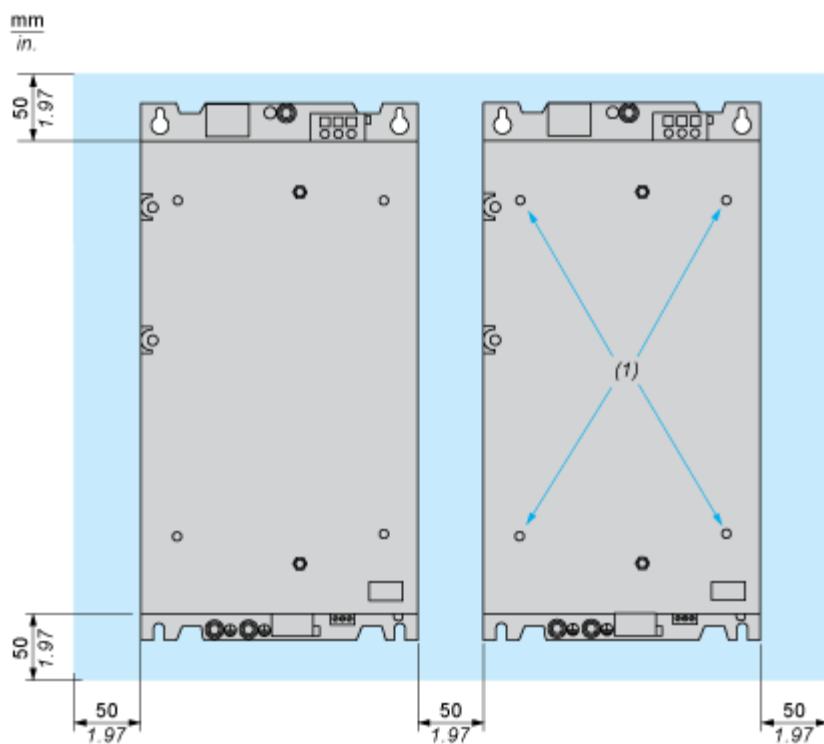
Mounting and Clearance

**Mounting Recommendations**

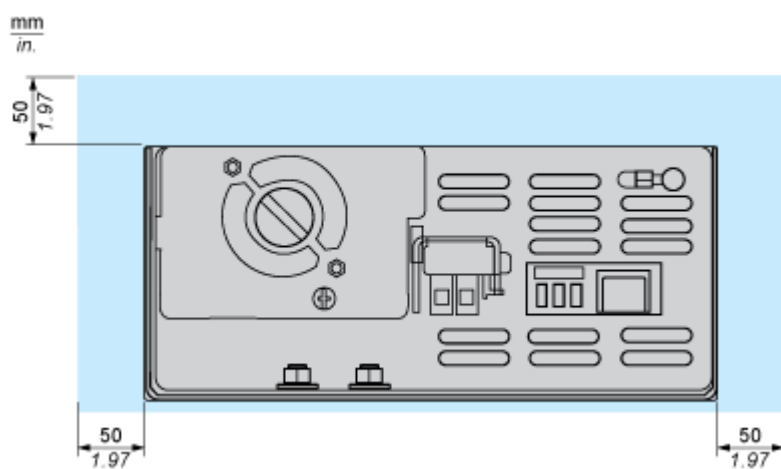
---

**Vertical Flat Mounting**





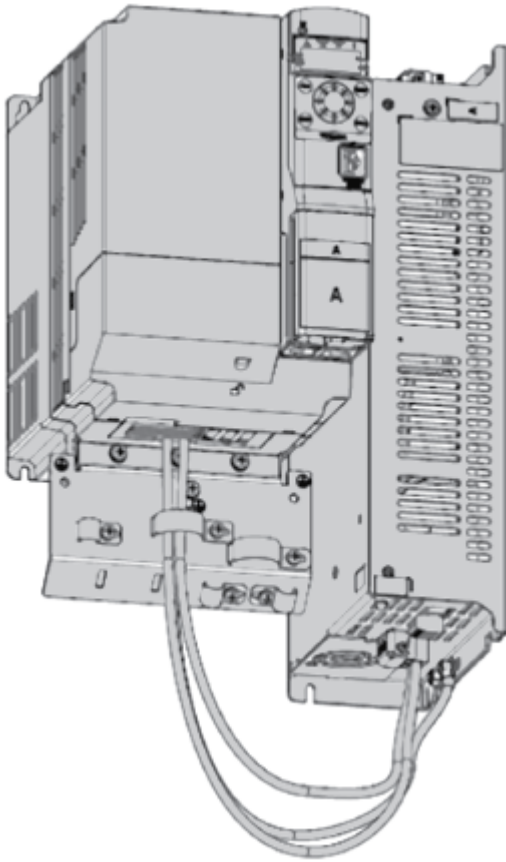
(1) : Fixing holes for ATV320

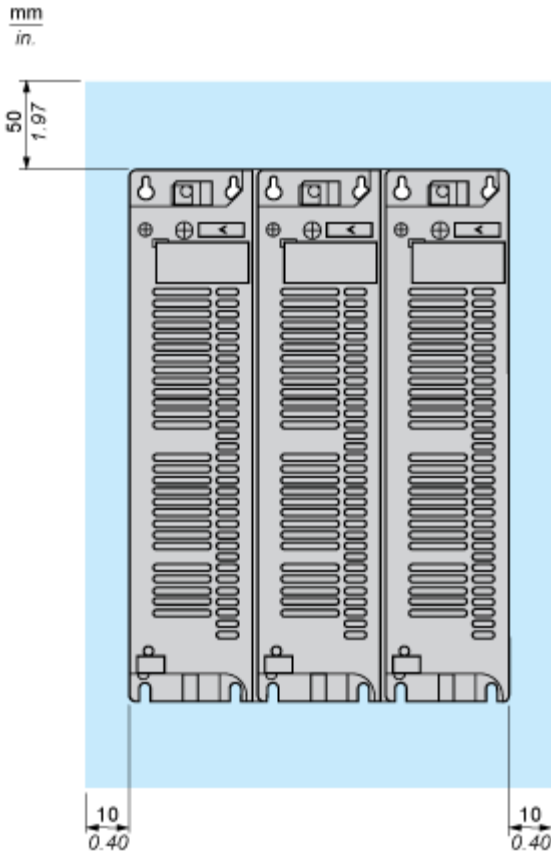


Mounting Recommendations

---

Side by Side Mounting

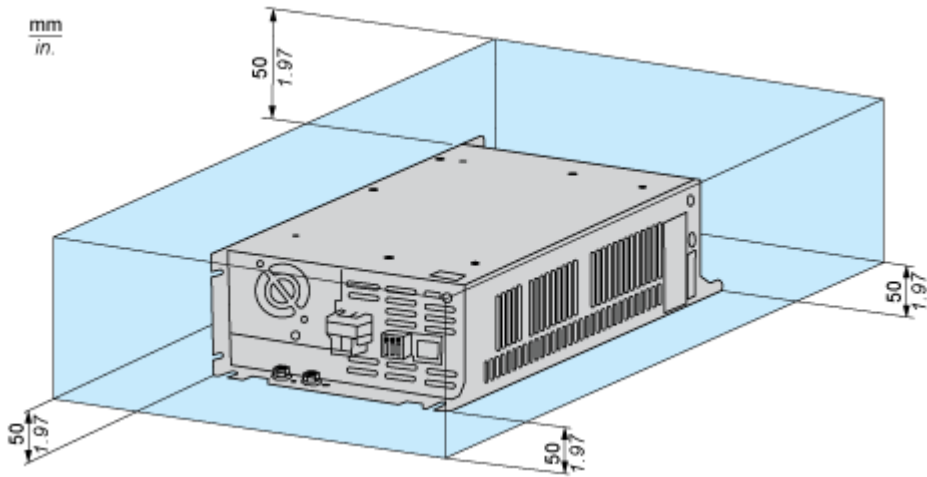




Mounting Recommendations

---

Horizontal Flat Mounting

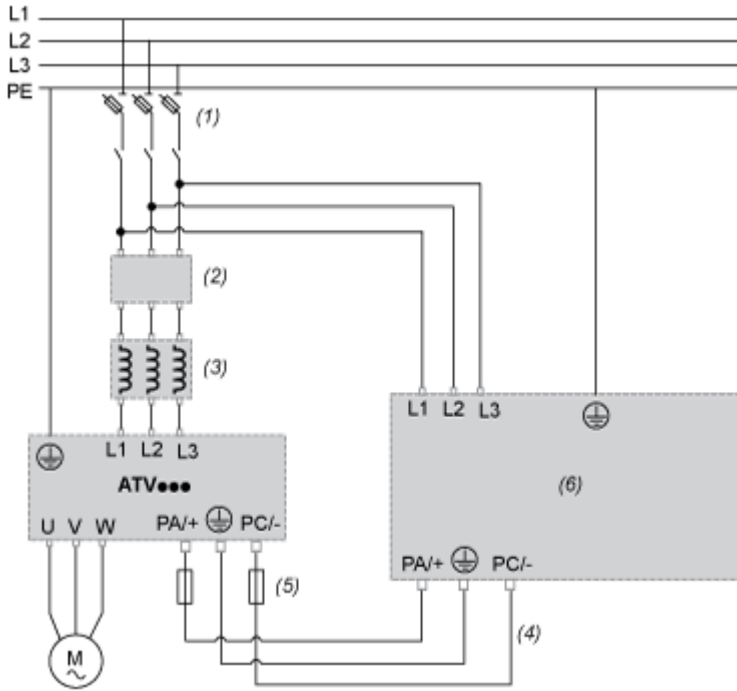


Connections and Schema

Wiring Diagram

---

Drive and Regenerative Unit



- (1) : AC protection fuses
- (2) : Optional additional EMC input Filter (see drive catalog)
- (3) : Optional AC Choke (see drive catalog)
- (4) : DC bus link
- (5) : DC protection fuses
- (6) : Altivar Regenerative Unit