

Product data sheet

Specifications



Regenerative unit, Altivar, 7,5kW, for Altivar variable speed drive

ATVRU75N4

Main

Range of product	Altivar
Range compatibility	Altivar Machine ATV340 Altivar Process ATV900 Altivar Machine ATV320
Product or component type	Power module
Device application	Energy regeneration
[Us] rated supply voltage	380...500 V - 15...10 %
[Ue] rated operational voltage	456...778 V DC
Rated power in W	6.8 kW

Complementary

Network frequency	45...65 Hz
Network number of phases	3 phases
fixing mode	By screws
Maximum voltage drop at rated load	3 %
Electrical connection	Control: removable screw terminal block: 0.5...1.5 mm ² , AWG 20...AWG 16 (bottom) Power supply: removable screw terminal block: 2.5...4 mm ² , AWG 12...AWG 10 (top) DC bus: removable screw terminal block: 2.5...4 mm ² , AWG 12...AWG 10 (bottom)
Input current	16.5 A at 380 V AC for voltage inputs (continuous) 14.5 A at 500 V AC for voltage inputs (continuous) 22.9 A at 380 V AC for voltage inputs (transient for 60 s) 19.1 A at 500 V AC for voltage inputs (transient for 60 s)
Input power	6.8 kW at 380...500 V AC for voltage inputs (continuous) 10.2 kW at 380...500 V AC for voltage inputs (transient for 60 s)
Maximum DC bus voltage	300...880 V DC
Output current	13.4 A at 380 V AC (continuous) 11.9 A at 500 V AC (continuous) 18.4 A at 380 V AC (transient for 60 s) 15.4 A at 500 V AC (transient for 60 s)
Width	80 mm
Height	337 mm
Depth	175 mm
Product weight	6 kg

Environment

Standards	IEC 61800-5-1 IEC 61800-3
Product certifications	cUL

Ambient air temperature for operation	-10...50 °C without derating 50...60 °C with derating factor
Ambient air temperature for storage	-40...70 °C
Operating altitude	<= 1000 m without derating 1000...3000 m with power derating 1 % per 100 m
Operating position	Vertical or horizontal position
Type of cooling	Fan
Environmental characteristic	Chemical pollution resistance class 3C3 conforming to IEC 60721-3-3 Dust pollution resistance class 3S2 conforming to IEC 60721-3-3
Pollution degree	2 conforming to IEC 61800-5-1

Packing Units

Unit Type of Package 1	PCE
Number of Units in Package 1	1
Package 1 Height	19.300 cm
Package 1 Width	25.500 cm
Package 1 Length	51.500 cm
Package 1 Weight	7.510 kg
Unit Type of Package 2	S06
Number of Units in Package 2	6
Package 2 Height	75.000 cm
Package 2 Width	60.000 cm
Package 2 Length	80.000 cm
Package 2 Weight	58.060 kg

Contractual warranty

Warranty (in months)	18
-----------------------------	----



Environmental Data

Schneider Electric aims to achieve Net Zero status by 2050 through supply chain partnerships, lower impact materials, and circularity via our ongoing “Use Better, Use Longer, Use Again” campaign to extend product lifetimes and recyclability.

[Environmental Data explained >](#)

[How we assess product sustainability >](#)



Environmental footprint

Total lifecycle Carbon footprint	5 312 kg CO2 eq.
Carbon footprint of the manufacturing phase [A1 to A3]	65 kg CO2 eq.
Carbon footprint of the distribution phase [A4]	2 kg CO2 eq.
Carbon footprint of the installation phase [A5]	2 kg CO2 eq.
Carbon footprint of the use phase [B2, B3, B4, B6]	5 228 kg CO2 eq.
Carbon footprint of the end-of-life phase [C1 to C4]	16 kg CO2 eq.
Environmental Disclosure	Product Environmental Profile

Use Better



Materials and Substances

Packaging made with recycled cardboard	Yes
Packaging without single use plastic	Yes
SCIP Number	A0d7d417-3a7b-4c37-b617-847488ea9776
EU RoHS Directive	Compliant By Exemption
REACH Regulation	Reference contains Substances of Very High Concern above the threshold

Use Longer




Lifetime extension

Repair	No
--------	----

Use Again



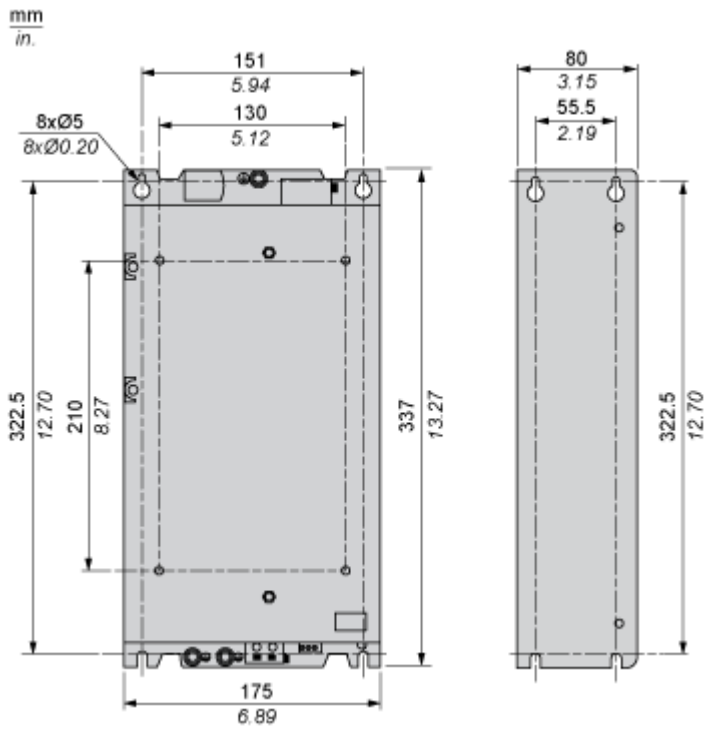
Repack and remanufacture

Recyclability potential, in %	91
End of life manual availability	End of Life Information
Take-back	No
WEEE Label	 The product must be disposed on European Union markets following specific waste collection and never end up in rubbish bins

Dimensions Drawings

Dimensions

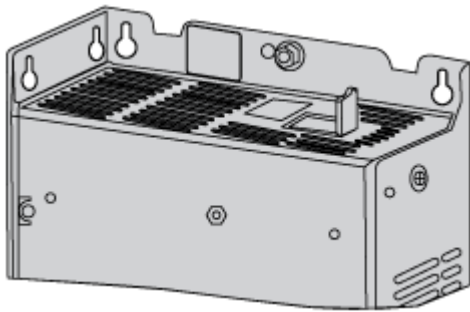
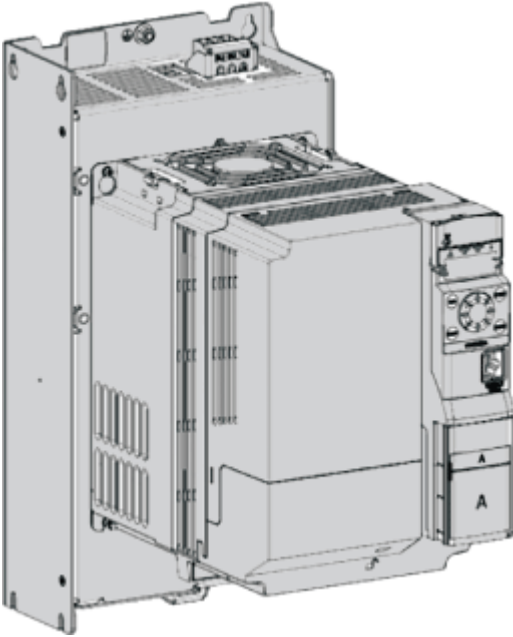
Front and Side Views

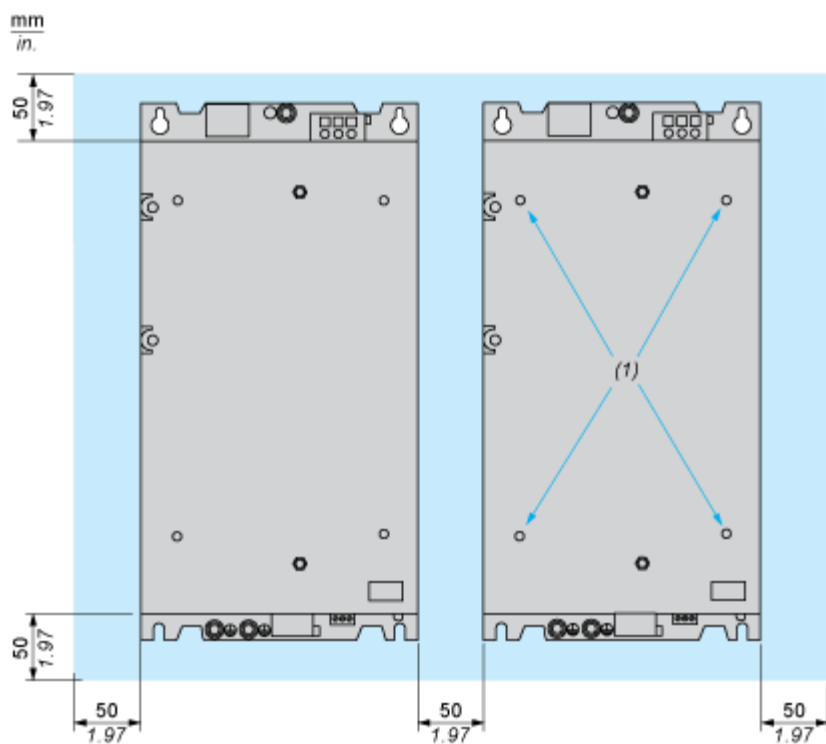


Mounting and Clearance

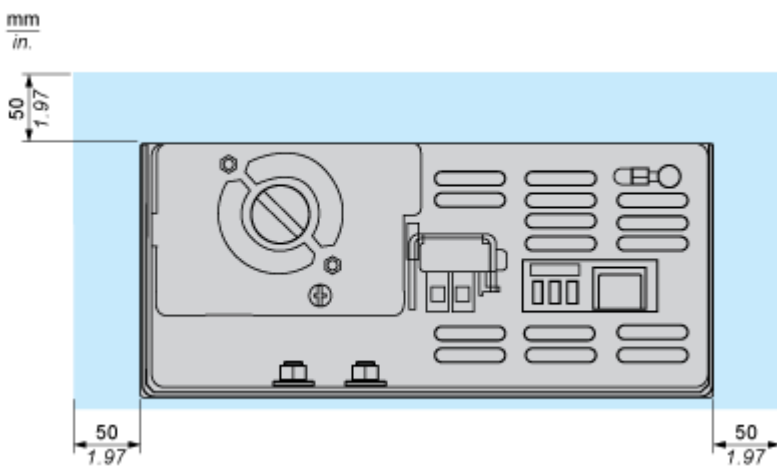
Mounting Recommendations

Vertical Flat Mounting



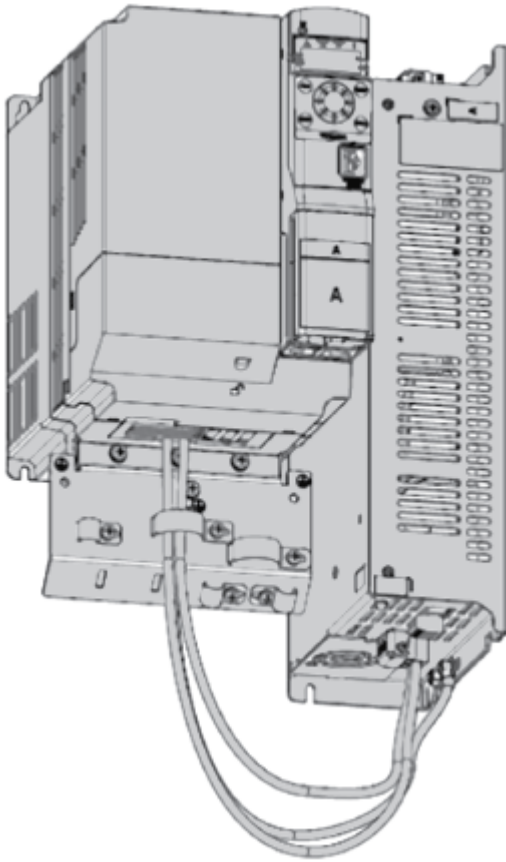


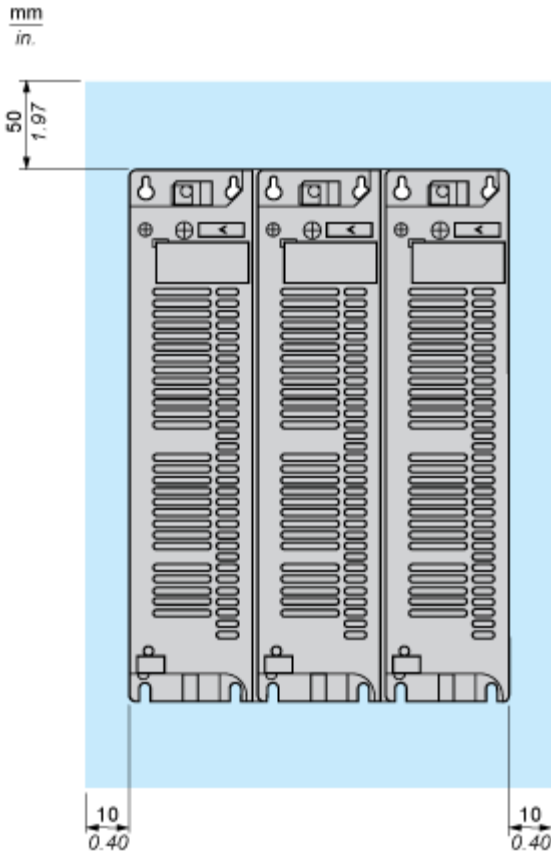
(1) : Fixing holes for ATV320



Mounting Recommendations

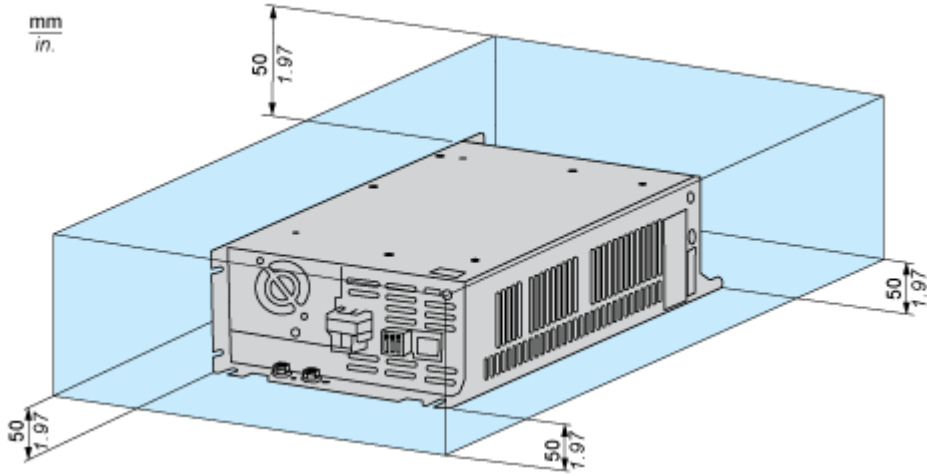
Side by Side Mounting





Mounting Recommendations

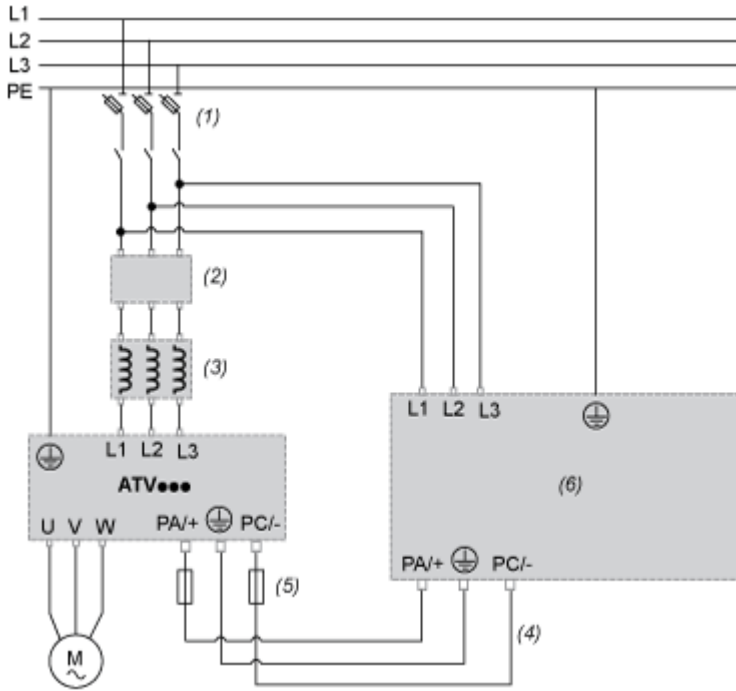
Horizontal Flat Mounting



Connections and Schema

Wiring Diagram

Drive and Regenerative Unit



- (1) : AC protection fuses
- (2) : Optional additional EMC input Filter (see drive catalog)
- (3) : Optional AC Choke (see drive catalog)
- (4) : DC bus link
- (5) : DC protection fuses
- (6) : Altivar Regenerative Unit