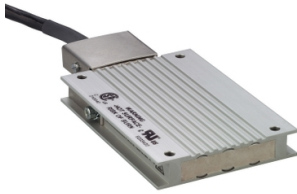


Product data sheet

Specifications

braking resistor - 72 ohm - 200 W -
cable 0.75 m - IP65



VW3A7606R07

Main

| | |
|---------------------------|--|
| Range of product | Lexium Altivar |
| Range compatibility | Lexium 05 Altivar 32 Lexium 52 Lexium 28 Lexium 32 Lexium 15 Altivar Machine ATV320 Lexium 32i Easy Lexium 16 |
| Product compatibility | ATV32HU30N4 ATV32HU40N4 Variable speed drive ATV320 at 3 kW, 380...500 V, three phase Variable speed drive ATV320 at 4 kW, 380...500 V, three phase Variable speed drive ATV320 at 4 kW, 525...600 V, three phase Motion servo drive LXM16D at 0.1 kW, 200...230 V, single phase Motion servo drive LXM16D at 0.2 kW, 200...230 V, single phase Motion servo drive LXM16D at 0.4 kW, 200...230 V, single phase Motion servo drive LXM16D at 0.75 kW, 200...230 V, single phase Motion servo drive LXM16D at 1 kW, 200...230 V, single phase Motion servo drive LXM16D at 1.5 kW, 200...230 V, single phase |
| Product or component type | Braking resistor |
| Ohmic value | 72 Ohm |

Complementary

| | |
|-------------------------|---|
| Energy peak | 6000 J at 480 V 6600 J at 400 V 9600 J at 230 V 14600 J at 115 V |
| Average power available | 50 W at 50 °C |
| Continuous power | 200 W |
| Protection type | Thermal protection via the servo drive |
| Product weight | 0.93 kg |
| Cable length | 0.75 m |

Environment

| | |
|---------------------------------------|-------------|
| IP degree of protection | IP65 |
| Ambient air temperature for storage | -25...85 °C |
| Ambient air temperature for operation | 0...50 °C |

Packing Units

| | |
|------------------------|-----|
| Unit Type of Package 1 | PCE |
|------------------------|-----|

| | |
|-------------------------------------|-----------|
| Number of Units in Package 1 | 1 |
| Package 1 Height | 5.300 cm |
| Package 1 Width | 11.000 cm |
| Package 1 Length | 39.500 cm |
| Package 1 Weight | 918.000 g |
| Unit Type of Package 2 | S04 |
| Number of Units in Package 2 | 10 |
| Package 2 Height | 30.000 cm |
| Package 2 Width | 40.000 cm |
| Package 2 Length | 60.000 cm |
| Package 2 Weight | 10.432 kg |

Contractual warranty

| | |
|-----------------------------|----|
| Warranty (in months) | 18 |
|-----------------------------|----|



Environmental Data

Schneider Electric aims to achieve Net Zero status by 2050 through supply chain partnerships, lower impact materials, and circularity via our ongoing “Use Better, Use Longer, Use Again” campaign to extend product lifetimes and recyclability.

[Environmental Data explained >](#)

[How we assess product sustainability >](#)

Use Better

Materials and Substances

| | |
|--|--|
| Packaging made with recycled cardboard | No |
| Packaging without single use plastic | No |
| SCIP Number | 735ea399-2868-47fa-83de-4130bb0137d4 |
| EU RoHS Directive | Compliant |
| REACH Regulation | Reference contains Substances of Very High Concern above the threshold |

Use Longer

Lifetime extension

| | |
|--------|----|
| Repair | No |
|--------|----|

Use Again

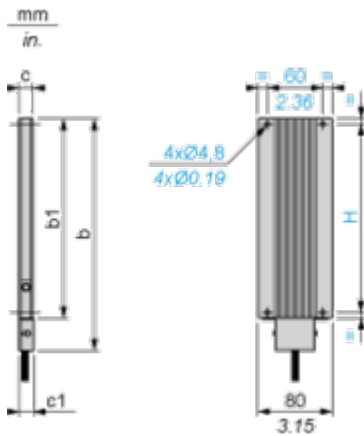
Repack and remanufacture

| | |
|-----------|----|
| Take-back | No |
|-----------|----|

Dimensions Drawings

Braking Resistor

Dimensions



Dimensions in mm

| b | b1 | c | c1 | H |
|-----|-----|----|------|-----|
| 251 | 216 | 15 | 15.5 | 204 |

Dimensions in in.

| b | b1 | c | c1 | H |
|------|------|------|------|------|
| 9.88 | 8.50 | 0.59 | 0.61 | 8.03 |