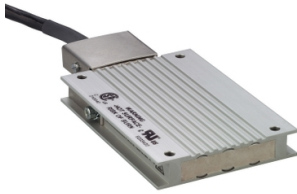


Product data sheet

Specifications

braking resistor - 72 ohm - 200 W -
cable 3 m - IP65



VW3A7606R30

Main

Range of product	Lexium Altivar
Range compatibility	Lexium 32i Lexium 28 Altivar 32 Lexium 52 Altivar Machine ATV320 Lexium 15 Lexium 05 Lexium 32 Easy Lexium 16
Product compatibility	ATV32HU30N4 ATV32HU40N4 Variable speed drive ATV320 at 3 kW, 380...500 V, three phase Variable speed drive ATV320 at 4 kW, 380...500 V, three phase Variable speed drive ATV320 at 4 kW, 525...600 V, three phase Motion servo drive LXM16D at 0.1 kW, 200...230 V, single phase Motion servo drive LXM16D at 0.2 kW, 200...230 V, single phase Motion servo drive LXM16D at 0.4 kW, 200...230 V, single phase Motion servo drive LXM16D at 0.75 kW, 200...230 V, single phase Motion servo drive LXM16D at 1 kW, 200...230 V, single phase Motion servo drive LXM16D at 1.5 kW, 200...230 V, single phase
Product or component type	Braking resistor
Ohmic value	72 Ohm

Complementary

Energy peak	6000 J at 480 V 6600 J at 400 V 9600 J at 230 V 14600 J at 115 V
Average power available	50 W at 50 °C
Continuous power	200 W
Protection type	Thermal protection via the servo drive
Product weight	1.2 kg
Cable length	3 m

Environment

IP degree of protection	IP65
Ambient air temperature for storage	-25...85 °C
Ambient air temperature for operation	0...50 °C

Packing Units

Unit Type of Package 1	PCE
------------------------	-----

Number of Units in Package 1	1
Package 1 Height	4.500 cm
Package 1 Width	40.000 cm
Package 1 Length	13.000 cm
Package 1 Weight	1.200 kg

Contractual warranty

Warranty (in months)	18
-----------------------------	----



Environmental Data

Schneider Electric aims to achieve Net Zero status by 2050 through supply chain partnerships, lower impact materials, and circularity via our ongoing “Use Better, Use Longer, Use Again” campaign to extend product lifetimes and recyclability.

[Environmental Data explained >](#)

[How we assess product sustainability >](#)

Use Better

Materials and Substances

Packaging made with recycled cardboard	No
Packaging without single use plastic	No
SCIP Number	735ea399-2868-47fa-83de-4130bb0137d4
EU RoHS Directive	Compliant
REACH Regulation	Reference contains Substances of Very High Concern above the threshold

Use Longer

Lifetime extension

Repair	No
--------	----

Use Again

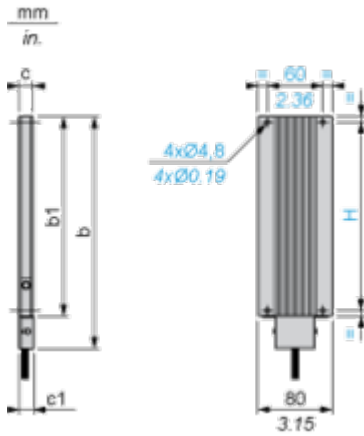
Repack and remanufacture

Take-back	No
-----------	----

Dimensions Drawings

Braking Resistor

Dimensions



Dimensions in mm

b	b1	c	c1	H
251	216	15	15.5	204

Dimensions in in.

b	b1	c	c1	H
9.88	8.50	0.59	0.61	8.03