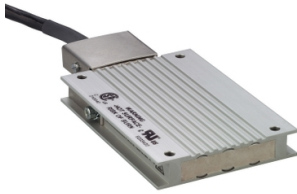


Product data sheet

Specifications

braking resistor - 27 ohm - 400 W -
cable 3 m - IP65



VW3A7604R30

Main

Range of product	Lexium Altivar
Range compatibility	Lexium 05 Lexium 28 Lexium 32i Lexium 52 Altivar 32 Lexium 15 Altivar Machine ATV320 Lexium 32 Easy Lexium 16
Product compatibility	ATV32HU55N4 ATV32HU75N4 Variable speed drive ATV320 at 5.5 kW, 380...500 V, three phase Variable speed drive ATV320 at 7.5 kW, 380...500 V, three phase Variable speed drive ATV320 at 5.5 kW, 525...600 V, three phase Variable speed drive ATV320 at 7.5 kW, 525...600 V, three phase Motion servo drive LXM16D at 0.75 kW, 200...230 V, single phase Motion servo drive LXM16D at 1 kW, 200...230 V, single phase Motion servo drive LXM16D at 1.5 kW, 200...230 V, single phase
Product or component type	Braking resistor
Ohmic value	27 Ohm

Complementary

Energy peak	10500 J at 480 V 11400 J at 400 V 18100 J at 230 V 25500 J at 115 V
Average power available	100 W at 50 °C
Continuous power	400 W
Protection type	Thermal protection via the servo drive
Product weight	1.62 kg
Cable length	3 m

Environment

IP degree of protection	IP65
Ambient air temperature for storage	-25...85 °C
Ambient air temperature for operation	0...50 °C

Packing Units

Unit Type of Package 1	PCE
Number of Units in Package 1	1

Package 1 Height	4.500 cm
Package 1 Width	13.000 cm
Package 1 Length	40.000 cm
Package 1 Weight	1.725 kg
Unit Type of Package 2	S03
Number of Units in Package 2	6
Package 2 Height	30.000 cm
Package 2 Width	30.000 cm
Package 2 Length	40.000 cm
Package 2 Weight	11.273 kg
Unit Type of Package 3	S06
Number of Units in Package 3	48
Package 3 Height	73.500 cm
Package 3 Width	60.000 cm
Package 3 Length	80.000 cm
Package 3 Weight	96.472 kg

Contractual warranty

Warranty (in months)	18
-----------------------------	----



Environmental Data

Schneider Electric aims to achieve Net Zero status by 2050 through supply chain partnerships, lower impact materials, and circularity via our ongoing “Use Better, Use Longer, Use Again” campaign to extend product lifetimes and recyclability.

[Environmental Data explained >](#)

[How we assess product sustainability >](#)

Use Better



Materials and Substances

Packaging made with recycled cardboard	No
Packaging without single use plastic	No
EU RoHS Directive	Compliant By Exemption
REACH Regulation	Reference contains Substances of Very High Concern above the threshold
PVC free	Yes

Use Longer



Lifetime extension

Repair	No
--------	----

Use Again



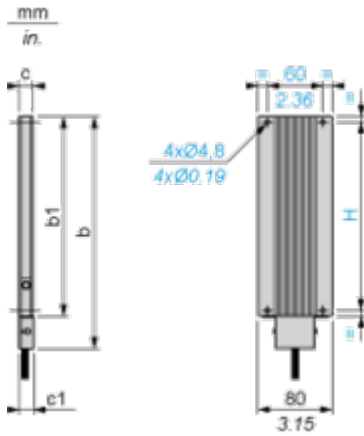
Repack and remanufacture

Take-back	No
-----------	----

Dimensions Drawings

Braking Resistor

Dimensions



Dimensions in mm

b	b1	c	c1	H
257	216	30	-	204

Dimensions in in.

b	b1	c	c1	H
10.11	8.50	1.18	-	8.03