

Product data sheet

Specifications



line/motor choke - 10 mH - 4 A - 3
phases - 45 W - for variable speed
drive

VW3A4551

Main

Range of product	Altivar
Product or component type	Line/motor choke

Disclaimer: This documentation is not intended as a substitute for and is not to be used for determining suitability or reliability of these products for specific user applications

Product compatibility

ATV12H018F1 - motor choke - 1 per drive
ATV12H018M2 - motor choke - 1 per drive
ATV12H018M3 - motor choke - 1 per drive
ATV12H037F1 - motor choke - 1 per drive
ATV12H037M2 - motor choke - 1 per drive
ATV12H037M3 - motor choke - 1 per drive
ATV12H055M2 - motor choke - 1 per drive
ATV12P037F1 - motor choke - 1 per drive
ATV12P037M2 - motor choke - 1 per drive
ATV12P037M3 - motor choke - 1 per drive
ATV12P055M2 - motor choke - 1 per drive
ATV312H018M3 - line choke - 1 per drive
ATV312H037M3 - line choke - 1 per drive
ATV312H037N4 - line choke - 1 per drive
ATV312H055M3 - line choke - 1 per drive
ATV312H055N4 - line choke - 1 per drive
ATV312H075M3 - line choke - 1 per drive
ATV312H075N4 - line choke - 1 per drive
ATV312H075S6 - line choke - 1 per drive
ATV312HU11N4 - line choke - 1 per drive
ATV312HU15N4 - line choke - 1 per drive
ATV312HU15S6 - line choke - 1 per drive
ATV32H037N4 - line choke - 1 per drive
ATV32H055N4 - line choke - 1 per drive
ATV32H075N4 - line choke - 1 per drive
ATV32HU11N4 - line choke - 1 per drive
ATV32HU15N4 - line choke - 1 per drive
ATV61H075M3 - line choke - 1 per drive
ATV61H075N4 - line choke - 1 per drive
ATV61HU15N4 - line choke - 1 per drive
ATV61HU30Y - line choke - 1 per drive
ATV61W075N4 - line choke - 1 per drive
ATV61W075N4C - line choke - 1 per drive
ATV61WU15N4 - line choke - 1 per drive
ATV61WU15N4C - line choke - 1 per drive
ATV71H037M3 - line choke - 1 per drive
ATV71H075M3 - line choke - 1 per drive
ATV71H075N4 - line choke - 1 per drive
ATV71HU15N4 - line choke - 1 per drive
ATV71HU22Y - line choke - 1 per drive
ATV71HU30Y - line choke - 1 per drive
ATV71P075N4Z - line choke - 1 per drive
ATV71PU15N4Z - line choke - 1 per drive
ATV71W075N4 - line choke - 1 per drive
ATV71WU15N4 - line choke - 1 per drive
ATV61HU22S6X - line choke - 1 per drive
ATV71HU15S6X - line choke - 1 per drive
ATV71HU22S6X - line choke - 1 per drive
ATV31C037N4 - line choke - 1 per drive
ATV31C055N4 - line choke - 1 per drive
ATV31C075N4 - line choke - 1 per drive
ATV31CU11N4 - line choke - 1 per drive
ATV31CU15N4 - line choke - 1 per drive
Variable speed drive ATV310 motor: 0.37 kW - line choke - 1 per drive
Variable speed drive ATV310 motor: 0.75 kW - line choke - 1 per drive
Variable speed drive ATV340 motor: 0.75 kW 380...480 V - line choke - 1 per drive
Variable speed drive ATV340 motor: 1.5 kW 380...480 V - line choke - 1 per drive
Variable speed drive ATV320 motor: 0.37 kW 380...500 V - three phase - line choke - 1 per drive
Variable speed drive ATV320 motor: 0.55 kW 380...500 V - three phase - line choke - 1 per drive
Variable speed drive ATV320 motor: 0.75 kW 380...500 V - three phase - line choke - 1 per drive
Variable speed drive ATV320 motor: 1.1 kW 380...500 V - three phase - line choke - 1 per drive
Variable speed drive ATV320 motor: 1.5 kW 380...500 V - three phase - line choke - 1 per drive
Variable speed drive ATV320 motor: 0.18 kW 200...240 V - three phase - line choke - 1 per drive
Variable speed drive ATV320 motor: 0.37 kW 200...240 V - three phase - line choke - 1 per drive
Variable speed drive ATV320 motor: 0.55 kW 200...240 V - three phase - line choke - 1 per drive
Variable speed drive ATV320 motor: 0.75 kW 200...240 V - three phase - line choke - 1 per drive
Variable speed drive ATV320 motor: 0.75 kW 525...600 V - three phase - line choke - 1 per drive
Variable speed drive ATV320 motor: 1.5 kW 525...600 V - three phase - line choke - 1 per drive
Variable speed drive ATV320 motor: 2.2 kW 525...600 V - three phase - line choke -

1 per drive
Variable speed drive ATV630 motor: 2.2 kW 500...690 V - three phase - line choke - 1 per drive
1 per drive
Variable speed drive ATV630 motor: 3 kW 500...690 V - three phase - line choke - 1 per drive
Variable speed drive ATV630 motor: 4 kW 500...690 V - three phase - line choke - 1 per drive
Variable speed drive ATV930 motor: 2.2 kW 500...690 V - three phase - line choke - 1 per drive
Variable speed drive ATV930 motor: 3 kW 500...690 V - three phase - line choke - 1 per drive
Variable speed drive ATV930 motor: 4 kW 500...690 V - three phase - line choke - 1 per drive
Variable speed drive ATV630 motor: 600 V - three phase - line choke - 3 hp - 1 per drive
Variable speed drive ATV930 motor: 600 V - three phase - line choke - 3 hp - 1 per drive
Variable speed drive ATV310L motor: 0.75 kW
Variable speed drive ATV310L motor: 1.5 kW
Variable speed drive ATV310L motor: 2.2 kW
Variable speed drive ATV310L motor: 3.0 kW
Variable speed drive ATV310L motor: 4.0 kW
Variable speed drive ATV310L motor: 5.5 kW

number of phases	Three phase
Range compatibility	Altivar 61 Altivar 312 Altivar Process ATV900 Altivar 32 Altivar 312 Solar Altivar Process ATV600 Altivar 31C Lexium 62 Easy Altivar 310 Altivar Machine ATV340 Altivar Machine ATV320 Altivar 71 Altivar 12 Easy Altivar 310L
Device application	Reduction of current harmonics
Value of inductance	10 mH
[In] rated current	4 A
Thermal losses	45 W
Electrical connection	Terminal 2.5 mm ² / AWG 12, 0.4...0.6 N.m

Complementary

power supply frequency	50...60 Hz
Max current	1.65 x nominal current (duration = 60 s)
Maximum voltage drop at rated load	5 %
Electrical insulation class	Class F
Minimum clearance distance	5.5 mm IEC 60664
Leakage distance	11.5 mm conforming to IEC 60664
Product weight	1.5 kg
Width	100 mm
Height	135 mm
Depth	60 mm

Environment

Standards	VDE 0160 level 1 IEC 60076 (with HD398) EN 50178
IP degree of protection	Choke: IP00 Terminals: IP20
Environmental characteristic	3B1 conforming to IEC 721-3-3 3C2 conforming to IEC 721-3-3 3S1 conforming to IEC 721-3-3
Pollution degree	2 conforming to EN 50178
Vibration resistance	1 gn (f= 13...200 Hz) conforming to IEC 60068-2-6 1.5 mm peak to peak (f= 3...13 Hz) conforming to IEC 60068-2-6
Shock resistance	15 gn for 11 ms conforming to IEC 60068-2-27
Relative humidity	0...95 %
Ambient air temperature for operation	45...55 °C (with current derating of 2 % per °C) 0...45 °C (without current derating)
Ambient air temperature for storage	-25...70 °C

Operating altitude	<= 1000 m without current derating 1000...3000 m with current derating 1 % per 100 m
---------------------------	---

Packing Units

Unit Type of Package 1	PCE
-------------------------------	-----

Number of Units in Package 1	1
-------------------------------------	---

Package 1 Height	15.000 cm
-------------------------	-----------

Package 1 Width	20.000 cm
------------------------	-----------

Package 1 Length	21.000 cm
-------------------------	-----------

Package 1 Weight	1.527 kg
-------------------------	----------

Unit Type of Package 2	S06
-------------------------------	-----

Number of Units in Package 2	24
-------------------------------------	----

Package 2 Height	75.000 cm
-------------------------	-----------

Package 2 Width	60.000 cm
------------------------	-----------

Package 2 Length	80.000 cm
-------------------------	-----------

Package 2 Weight	47.000 kg
-------------------------	-----------

Contractual warranty

Warranty (in months)	18
-----------------------------	----



Environmental Data

Schneider Electric aims to achieve Net Zero status by 2050 through supply chain partnerships, lower impact materials, and circularity via our ongoing “Use Better, Use Longer, Use Again” campaign to extend product lifetimes and recyclability.

[Environmental Data explained >](#)

[How we assess product sustainability >](#)

Use Better



Materials and Substances

Packaging made with recycled cardboard	No
Packaging without single use plastic	No
SCIP Number	4934d727-4a01-454e-b001-ddcc449d383b
EU RoHS Directive	Compliant
REACH Regulation	Reference contains Substances of Very High Concern above the threshold

Use Longer



Lifetime extension

Repair	No
--------	----

Use Again

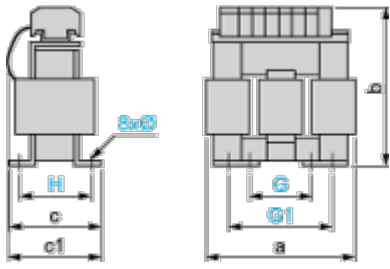


Repack and remanufacture

Take-back	No
-----------	----

Dimensions Drawings

Dimensions



Dimensions in mm

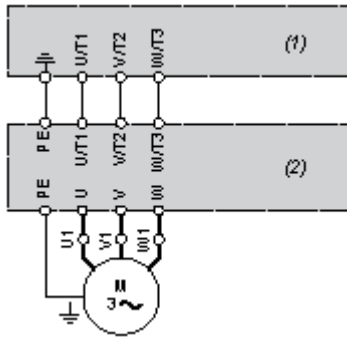
a	b	c	c1	G	G1	H	Ø
100	135	55	60	40	60	42	6 x 9

Dimensions in in.

a	b	c	c1	G	G1	H	Ø
3.94	5.31	2.16	2.36	1.57	2.36	1.65	0.24 x 0.35

Connections and Schema

Recommended Scheme



- (1) Drive
- (2) Filter