

# Product data sheet

Specifications



line/motor choke - 4 mH - 10 A - 3  
phases - 65 W - for variable speed  
drive

VW3A4552

## Main

---

Range of product	Altivar
Product or component type	Line/motor choke

---

Disclaimer: This documentation is not intended as a substitute for and is not to be used for determining suitability or reliability of these products for specific user applications

---

**Product compatibility**

Variable speed drive ATV340 motor: 1.5 kW 380...480 V - line choke - 1 per drive  
ATV31CU22N4 - line choke - 1 per drive  
ATV31CU22N4 - motor choke - 1 per drive  
ATV31CU30N4 - line choke - 1 per drive  
ATV31CU30N4 - motor choke - 1 per drive  
ATV31CU40N4 - line choke - 1 per drive  
ATV31CU40N4 - motor choke - 1 per drive  
ATV61HU15M3 - line choke - 1 per drive  
ATV61HU22M3 - line choke - 1 per drive  
ATV61HU22N4 - line choke - 2 per drive  
ATV61HU30N4 - line choke - 1 per drive  
ATV61HU40N4 - line choke - 1 per drive  
ATV61HU75Y - line choke - 1 per drive  
ATV61WU22N4 - line choke - 1 per drive  
ATV61WU22N4C - line choke - 1 per drive  
ATV61WU30N4 - line choke - 1 per drive  
ATV61WU30N4C - line choke - 1 per drive  
ATV61WU40N4 - line choke - 1 per drive  
ATV61WU40N4C - line choke - 2 per drive  
ATV71HD55Y - line choke - 2 per drive  
ATV71HD75Y - line choke - 1 per drive  
ATV71HU15M3 - line choke - 1 per drive  
ATV71HU22M3 - line choke - 1 per drive  
ATV71HU22N4 - line choke - 1 per drive  
ATV71HU30N4 - line choke - 1 per drive  
ATV71HU40N4 - line choke - 1 per drive  
ATV71PU22N4Z - line choke - 1 per drive  
ATV71PU30N4Z - line choke - 1 per drive  
ATV71PU40N4Z - line choke - 2 per drive  
ATV71WU22N4 - line choke - 1 per drive  
ATV71WU30N4 - line choke - 1 per drive  
ATV71WU40N4 - line choke - 1 per drive  
LXM05D17M3X - line choke - 1 per drive  
LXM05D34N4 - line choke - 1 per drive  
LXM05D57N4 - line choke - 1 per drive  
ATV12H075F1 - motor choke - 1 per drive  
ATV12H075M2 - motor choke - 1 per drive  
ATV12H075M3 - motor choke - 1 per drive  
ATV12HU15M2 - motor choke - 1 per drive  
ATV12HU15M3 - motor choke - 1 per drive  
ATV12P075M2 - motor choke - 1 per drive  
ATV312HU11M3 - line choke - 1 per drive  
ATV312HU15M3 - line choke - 1 per drive  
ATV312HU22N4 - line choke - 1 per drive  
ATV312HU30N4 - line choke - 1 per drive  
ATV312HU40N4 - line choke - 1 per drive  
ATV312HU40S6 - line choke - 1 per drive  
ATV312HU55S6 - line choke - 1 per drive  
ATV61HU40Y - line choke - 1 per drive  
ATV61HU55Y - line choke - 1 per drive  
ATV71HU40Y - line choke - 1 per drive  
ATV71HU55S6X - line choke - 1 per drive  
ATV312HU22N4 - motor choke - 1 per drive  
ATV312HU30N4 - motor choke - 1 per drive  
ATV312HU40N4 - motor choke - 1 per drive  
ATV312HU40S6 - motor choke - 1 per drive  
ATV312HU55S6 - motor choke - 1 per drive  
ATV12P075M3 - motor choke - 1 per drive  
ATV12PU15M3 - motor choke - 1 per drive  
ATV61HU30S6X - line choke - 1 per drive  
ATV61HU40S6X - line choke - 1 per drive  
ATV61HU55S6X - line choke - 1 per drive  
ATV71HU30S6X - line choke - 1 per drive  
ATV71HU40S6X - line choke - 1 per drive  
ATV32HU22N4 - motor choke - 1 per drive  
ATV32HU30N4 - motor choke - 1 per drive  
ATV32HU40N4 - motor choke - 1 per drive  
ATV32HU22N4 - line choke - 1 per drive  
ATV32HU30N4 - line choke - 1 per drive  
ATV32HU40N4 - line choke - 1 per drive  
Variable speed drive ATV310 motor: 1.5 kW - line choke - 1 per drive  
Variable speed drive ATV310 motor: 2.2 kW - line choke - 1 per drive  
Variable speed drive ATV310 motor: 3 kW - line choke - 1 per drive  
Variable speed drive ATV310 motor: 2.2 kW - motor choke - 1 per drive  
Variable speed drive ATV310 motor: 3 kW - motor choke - 1 per drive  
Variable speed drive ATV310 motor: 4 kW - motor choke - 1 per drive  
Variable speed drive ATV340 motor: 2.2 kW 380...480 V - line choke - 1 per drive  
Variable speed drive ATV340 motor: 3 kW 380...480 V - line choke - 1 per drive  
Variable speed drive ATV340 motor: 4 kW 380...480 V - line choke - 1 per drive  
Variable speed drive ATV320 motor: 2.2 kW 380...500 V - three phase - line choke -



---

Variable speed drive ATV310L motor: 3.0 kW  
Variable speed drive ATV310L motor: 4.0 kW  
Variable speed drive ATV310L motor: 5.5 kW

<b>number of phases</b>	Three phase
<b>Range compatibility</b>	Altivar 61 Altivar 312 Solar Altivar 32 Altivar Process ATV600 Altivar 31C Lexium 05 Altivar 71 Altivar Machine ATV340 Altivar Machine ATV320 Easy Altivar 310 Altivar 12 Lexium 62 Altivar Process ATV900 Altivar 312 Easy Altivar 310L
<b>Device application</b>	Reduction of current harmonics Reduction of overvoltages at motor terminals
<b>Value of inductance</b>	4 mH
<b>[In] rated current</b>	10 A
<b>Thermal losses</b>	65 W
<b>Electrical connection</b>	Terminal 2.5 mm <sup>2</sup> / AWG 12, 0.4...0.6 N.m

## Complementary

<b>power supply frequency</b>	50...60 Hz
<b>Max current</b>	1.65 x nominal current (duration = 60 s)
<b>Maximum voltage drop at rated load</b>	5 %
<b>Electrical insulation class</b>	Class F
<b>Minimum clearance distance</b>	5.5 mm IEC 60664
<b>Leakage distance</b>	11.5 mm conforming to IEC 60664
<b>Product weight</b>	3 kg
<b>Width</b>	130 mm
<b>Height</b>	155 mm
<b>Depth</b>	90 mm

## Environment

<b>Standards</b>	EN 50178 IEC 60076 (with HD398) VDE 0160 level 1
<b>IP degree of protection</b>	Choke: IP00 Terminals: IP20
<b>Environmental characteristic</b>	3B1 conforming to IEC 721-3-3 3C2 conforming to IEC 721-3-3 3S1 conforming to IEC 721-3-3
<b>Pollution degree</b>	2 conforming to EN 50178
<b>Vibration resistance</b>	1 gn (f= 13...200 Hz) conforming to IEC 60068-2-6 1.5 mm peak to peak (f= 3...13 Hz) conforming to IEC 60068-2-6
<b>Shock resistance</b>	15 gn for 11 ms conforming to IEC 60068-2-27
<b>Relative humidity</b>	0...95 %
<b>Ambient air temperature for operation</b>	45...55 °C (with current derating of 2 % per °C) 0...45 °C (without current derating)
<b>Ambient air temperature for storage</b>	-25...70 °C

---

<b>Operating altitude</b>	<= 1000 m without current derating 1000...3000 m with current derating 1 % per 100 m
---------------------------	---

## Packing Units

---

<b>Unit Type of Package 1</b>	PCE
-------------------------------	-----

---

<b>Number of Units in Package 1</b>	1
-------------------------------------	---

---

<b>Package 1 Height</b>	18.000 cm
-------------------------	-----------

---

<b>Package 1 Width</b>	24.500 cm
------------------------	-----------

---

<b>Package 1 Length</b>	25.500 cm
-------------------------	-----------

---

<b>Package 1 Weight</b>	3.440 kg
-------------------------	----------

---

<b>Unit Type of Package 2</b>	S06
-------------------------------	-----

---

<b>Number of Units in Package 2</b>	18
-------------------------------------	----

---

<b>Package 2 Height</b>	75.000 cm
-------------------------	-----------

---

<b>Package 2 Width</b>	60.000 cm
------------------------	-----------

---

<b>Package 2 Length</b>	80.000 cm
-------------------------	-----------

---

<b>Package 2 Weight</b>	75.556 kg
-------------------------	-----------

## Contractual warranty

---

<b>Warranty (in months)</b>	18
-----------------------------	----



## Environmental Data

Schneider Electric aims to achieve Net Zero status by 2050 through supply chain partnerships, lower impact materials, and circularity via our ongoing “Use Better, Use Longer, Use Again” campaign to extend product lifetimes and recyclability.

[Environmental Data explained >](#)

[How we assess product sustainability >](#)

### Use Better



#### Materials and Substances

Packaging made with recycled cardboard	No
Packaging without single use plastic	No
SCIP Number	4934d727-4a01-454e-b001-ddcc449d383b
EU RoHS Directive	<a href="#">Compliant</a>
REACH Regulation	<a href="#">Reference contains Substances of Very High Concern above the threshold</a>

### Use Longer



#### Lifetime extension

Repair	No
--------	----

### Use Again

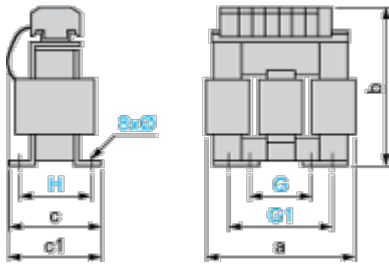


#### Repack and remanufacture

Take-back	No
-----------	----

Dimensions Drawings

Dimensions



Dimensions in mm

a	b	c	c1	G	G1	H	Ø
130	155	85	90	60	80.5	62	6 x 12

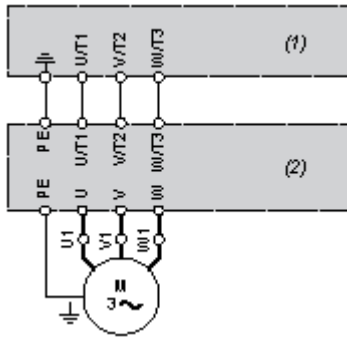
Dimensions in in.

a	b	c	c1	G	G1	H	Ø
5.12	6.10	3.35	3.54	2.36	3.17	2.44	0.24 x 0.47

Connections and Schema

Recommended Scheme

---



- (1) Drive
- (2) Filter