

Product data sheet

Specifications



line/motor choke - 2 mH - 17 A - 3
phases - 75 W - for variable speed
drive

VW3A4553

Main

Range of product	Altivar
Product or component type	Line/motor choke

Disclaimer: This documentation is not intended as a substitute for and is not to be used for determining suitability or reliability of these products for specific user applications

Product compatibility

Variable speed drive ATV340 motor: 4 kW 380...480 V - line choke - 1 per drive
ATV31CU22M2 - motor choke - 1 per drive
ATV31CU55N4 - line choke - 1 per drive
ATV31CU55N4 - motor choke - 1 per drive
ATV31CU75N4 - line choke - 1 per drive
ATV61HD11Y - line choke - 1 per drive
ATV61HD15Y - line choke - 1 per drive
ATV61HU30M3 - line choke - 1 per drive
ATV61HU55N4 - line choke - 1 per drive
ATV61HU75N4 - line choke - 1 per drive
ATV61WU55N4 - line choke - 1 per drive
ATV61WU55N4C - line choke - 1 per drive
ATV61WU75N4 - line choke - 1 per drive
ATV61WU75N4C - line choke - 1 per drive
ATV71HD11Y - line choke - 1 per drive
ATV71HD15Y - line choke - 1 per drive
ATV71HU30M3 - line choke - 1 per drive
ATV71HU55N4 - line choke - 1 per drive
ATV71HU75N4 - line choke - 1 per drive
ATV71PU55N4Z - line choke - 1 per drive
ATV71PU75N4Z - line choke - 1 per drive
ATV71WU55N4 - line choke - 1 per drive
ATV71WU75N4 - line choke - 1 per drive
LXM05D42M3X - line choke - 1 per drive
ATV12HU22M2 - motor choke - 1 per drive
ATV12HU22M3 - motor choke - 1 per drive
ATV312HD11S6 - line choke - 1 per drive
ATV312HU22M3 - line choke - 1 per drive
ATV312HU30M3 - line choke - 1 per drive
ATV312HU55N4 - line choke - 1 per drive
ATV312HU75N4 - line choke - 1 per drive
ATV312HU75S6 - line choke - 1 per drive
ATV71HU75S6X - line choke - 1 per drive
ATV312HU22M3 - motor choke - 1 per drive
ATV312HU30M3 - motor choke - 1 per drive
ATV312HU55N4 - motor choke - 1 per drive
ATV312HU75S6 - motor choke - 1 per drive
ATV312HU22M2 - motor choke - 1 per drive
ATV12HU30M3 - motor choke - 1 per drive
ATV12PU22M3 - motor choke - 1 per drive
ATV12PU30M3 - motor choke - 1 per drive
ATV61HU75S6X - line choke - 1 per drive
ATV32HU55N4 - line choke - 1 per drive
ATV32HU75N4 - line choke - 1 per drive
ATV32HU22M2 - motor choke - 1 per drive
ATV32HU55N4 - motor choke - 1 per drive
LXM32.D12N4 - line choke - 1 per drive
LXM32.U60N4 - line choke - 1 per drive
Variable speed drive ATV310 motor: 4 kW - line choke - 1 per drive
Variable speed drive ATV310 motor: 5.5 kW - line choke - 1 per drive
Variable speed drive ATV310 motor: 5.5 kW - motor choke - 1 per drive
Variable speed drive ATV340 motor: 5.5 kW 380...480 V - line choke - 1 per drive
Variable speed drive ATV340 motor: 7.5 kW 380...480 V - line choke - 1 per drive
Variable speed drive ATV320 motor: 5.5 kW 380...500 V - three phase - line choke - 1 per drive
Variable speed drive ATV320 motor: 7.5 kW 380...500 V - three phase - line choke - 1 per drive
Variable speed drive ATV320 motor: 2.2 kW 200...240 V - single phase - motor choke - 1 per drive
Variable speed drive ATV320 motor: 5.5 kW 380...500 V - three phase - motor choke - 1 per drive
Variable speed drive ATV320 motor: 2.2 kW 200...240 V - three phase - line choke - 1 per drive
Variable speed drive ATV320 motor: 3 kW 200...240 V - three phase - line choke - 1 per drive
Variable speed drive ATV320 motor: 2.2 kW 200...240 V - three phase - motor choke - 1 per drive
Variable speed drive ATV320 motor: 3 kW 200...240 V - three phase - motor choke - 1 per drive
Variable speed drive ATV320 motor: 5.5 kW 525...600 V - three phase - line choke - 1 per drive
Variable speed drive ATV320 motor: 7.5 kW 525...600 V - three phase - line choke - 1 per drive
Variable speed drive ATV320 motor: 7.5 kW 525...600 V - three phase - motor choke - 1 per drive
Variable speed drive ATV630 motor: 11 kW 500...690 V - three phase - line choke - 1 per drive
Variable speed drive ATV630 motor: 15 kW 500...690 V - three phase - line choke - 1 per drive
Variable speed drive ATV930 motor: 11 kW 500...690 V - three phase - line choke - 1

per drive

Variable speed drive ATV930 motor: 15 kW 500...690 V - three phase - line choke - 1

per drive

Variable speed drive ATV630 motor: 600 V - three phase - line choke - 10 hp - 1 per

drive

Variable speed drive ATV630 motor: 600 V - three phase - line choke - 15 hp - 1 per

drive

Variable speed drive ATV930 motor: 600 V - three phase - line choke - 10 hp - 1 per

drive

Variable speed drive ATV930 motor: 600 V - three phase - line choke - 15 hp - 1 per

drive

Variable speed drive ATV310L motor: 0.75 kW

Variable speed drive ATV310L motor: 1.5 kW

Variable speed drive ATV310L motor: 2.2 kW

Variable speed drive ATV310L motor: 3.0 kW

Variable speed drive ATV310L motor: 4.0 kW

Variable speed drive ATV310L motor: 5.5 kW

number of phases	Three phase
Range compatibility	Altivar 61 Altivar Process ATV900 Lexium 05 Altivar 312 Solar Altivar Process ATV600 Altivar 32 Altivar 71 Lexium 62 Easy Altivar 310 Altivar 12 Altivar 31C Lexium 52 Altivar 312 Lexium 32 Altivar Machine ATV320 Altivar Machine ATV340 Easy Altivar 310L
Device application	Reduction of current harmonics Reduction of overvoltages at motor terminals
Value of inductance	2 mH
[In] rated current	17 A
Thermal losses	75 W
Electrical connection	Terminal 6 mm ² / AWG 8, 0.8...1 N.m

Complementary

power supply frequency	50...60 Hz
Max current	1.65 x nominal current (duration = 60 s)
Maximum voltage drop at rated load	5 %
Electrical insulation class	Class F
Minimum clearance distance	5.5 mm IEC 60664
Leakage distance	11.5 mm conforming to IEC 60664
Product weight	3.5 kg
Width	130 mm
Height	155 mm
Depth	90 mm

Environment

Standards	VDE 0160 level 1 EN 50178 IEC 60076 (with HD398)
IP degree of protection	Choke: IP00 Terminals: IP20
Environmental characteristic	3B1 conforming to IEC 721-3-3 3C2 conforming to IEC 721-3-3 3S1 conforming to IEC 721-3-3
Pollution degree	2 conforming to EN 50178
Vibration resistance	1 gn (f= 13...200 Hz) conforming to IEC 60068-2-6 1.5 mm peak to peak (f= 3...13 Hz) conforming to IEC 60068-2-6
Shock resistance	15 gn for 11 ms conforming to IEC 60068-2-27
Relative humidity	0...95 %
Ambient air temperature for operation	45...55 °C (with current derating of 2 % per °C) 0...45 °C (without current derating)

Ambient air temperature for storage	-25...70 °C
Operating altitude	<= 1000 m without current derating 1000...3000 m with current derating 1 % per 100 m

Packing Units

Unit Type of Package 1	PCE
Number of Units in Package 1	1
Package 1 Height	19.000 cm
Package 1 Width	24.000 cm
Package 1 Length	25.000 cm
Package 1 Weight	3.861 kg
Unit Type of Package 2	S06
Number of Units in Package 2	18
Package 2 Height	75.000 cm
Package 2 Width	60.000 cm
Package 2 Length	80.000 cm
Package 2 Weight	83.830 kg

Contractual warranty

Warranty (in months)	18
----------------------	----



Environmental Data

Schneider Electric aims to achieve Net Zero status by 2050 through supply chain partnerships, lower impact materials, and circularity via our ongoing “Use Better, Use Longer, Use Again” campaign to extend product lifetimes and recyclability.

[Environmental Data explained >](#)

[How we assess product sustainability >](#)

Use Better



Materials and Substances

Packaging made with recycled cardboard	No
Packaging without single use plastic	No
SCIP Number	4934d727-4a01-454e-b001-ddcc449d383b
EU RoHS Directive	Compliant
REACH Regulation	Reference contains Substances of Very High Concern above the threshold

Use Longer



Lifetime extension

Repair	No
--------	----

Use Again

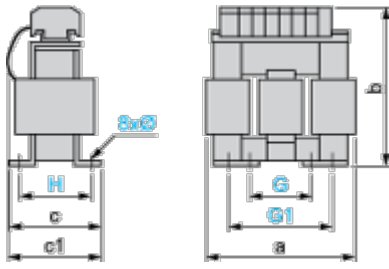


Repack and remanufacture

Take-back	No
-----------	----

Dimensions Drawings

Dimensions



Dimensions in mm

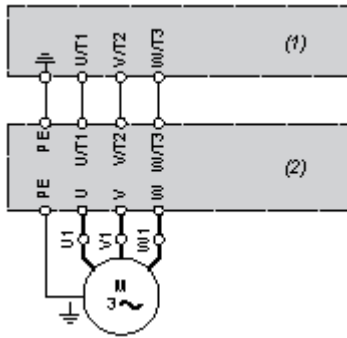
a	b	c	c1	G	G1	H	Ø
130	155	85	90	60	80.5	62	6 x 12

Dimensions in in.

a	b	c	c1	G	G1	H	Ø
5.12	6.10	3.35	3.54	2.36	3.17	2.44	0.24 x 0.47

Connections and Schema

Recommended Scheme



- (1) Drive
- (2) Filter