

# Motor Control and protection Inverter & Soft-Starter

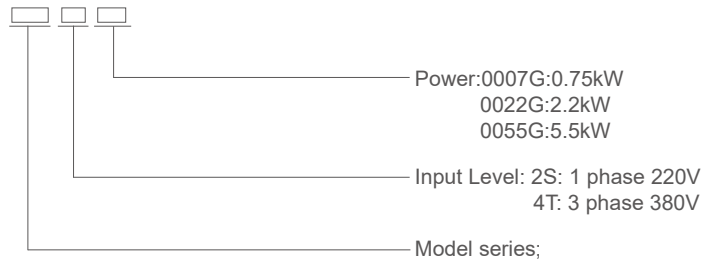
## YCB700 Series Mini Vector Inverter



### General

YCB700 Series Mini Inverter is a compact and economical inverter can be used for textile, paper making, machine tools, packaging, fans, water pumps and a variety of automatic.

### Type designation



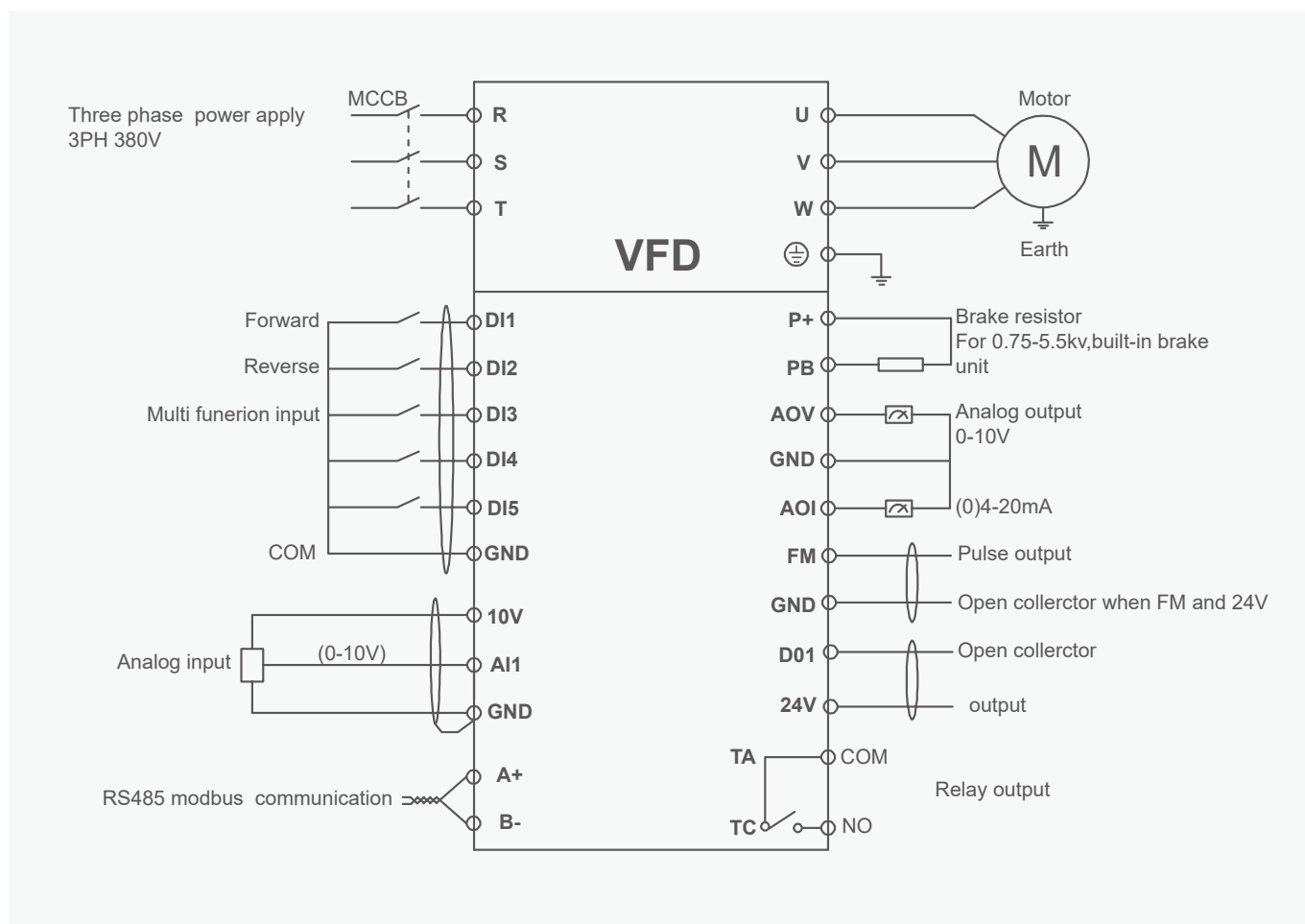
## Motor Control and protection Inverter & Soft-Starter

# YCB700 Series Mini Vector Inverter

### Technical Specifications

Model	Power Supply Capacity KVA	Input Current A	Output Current A	Adaptable Motor	
				KW	HP
One phase power supply: 220V, 50HZ/60HZ					
2S0007G	1.5	8.2	4.0	0.75	1
2S0015G	3.0	14.0	7.0	1.5	2
2S0022G	4.0	23.0	9.6	2.2	3
Three phase power supply: 380V, 50HZ/60HZ					
4T0007G	1.5	3.4	2.1	0.75	1
4T0015G	3.0	5.0	3.8	1.5	2
4T0022G	4.0	5.8	5.1	2.2	3
4T0040G	5,9	10,5	9	3,7	5
4T0055G	8.9	14.6	13	5.5	7

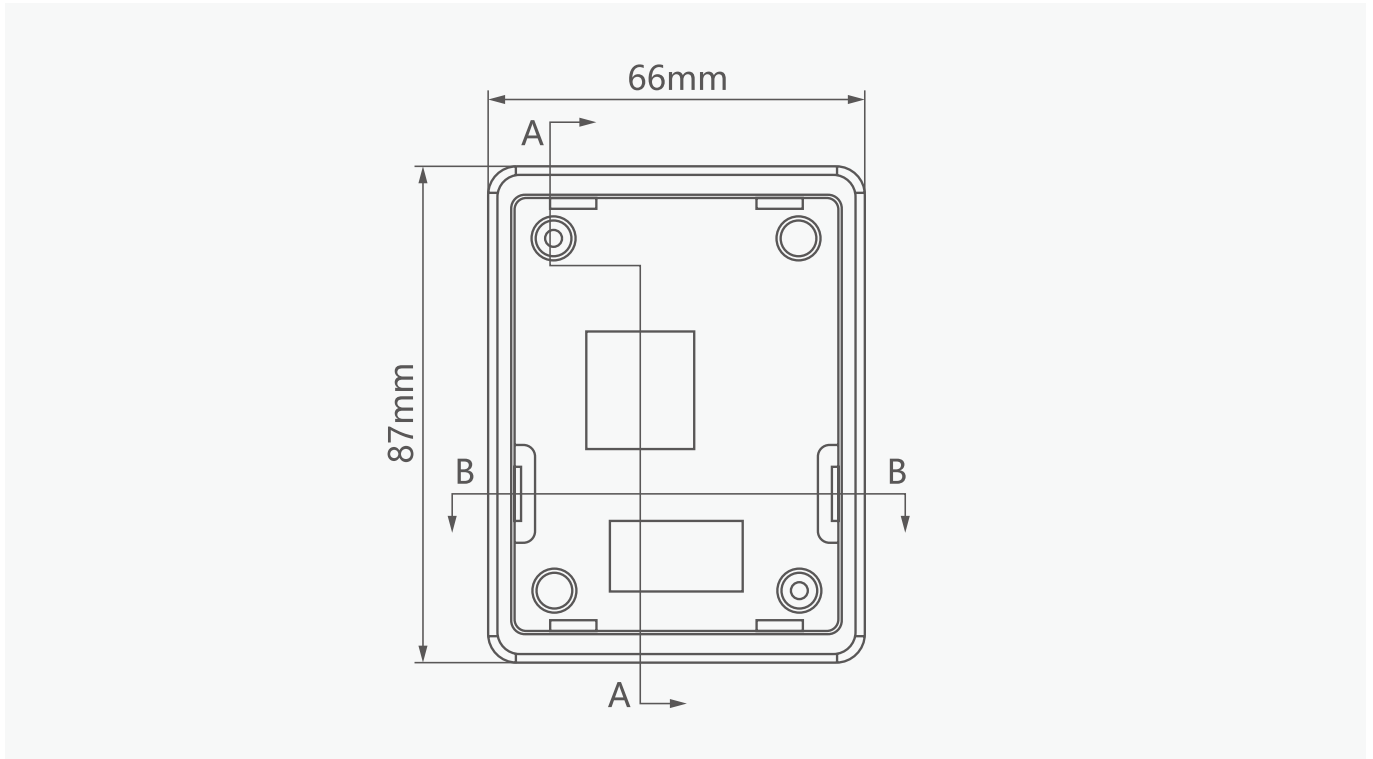
### Wiring Diagram



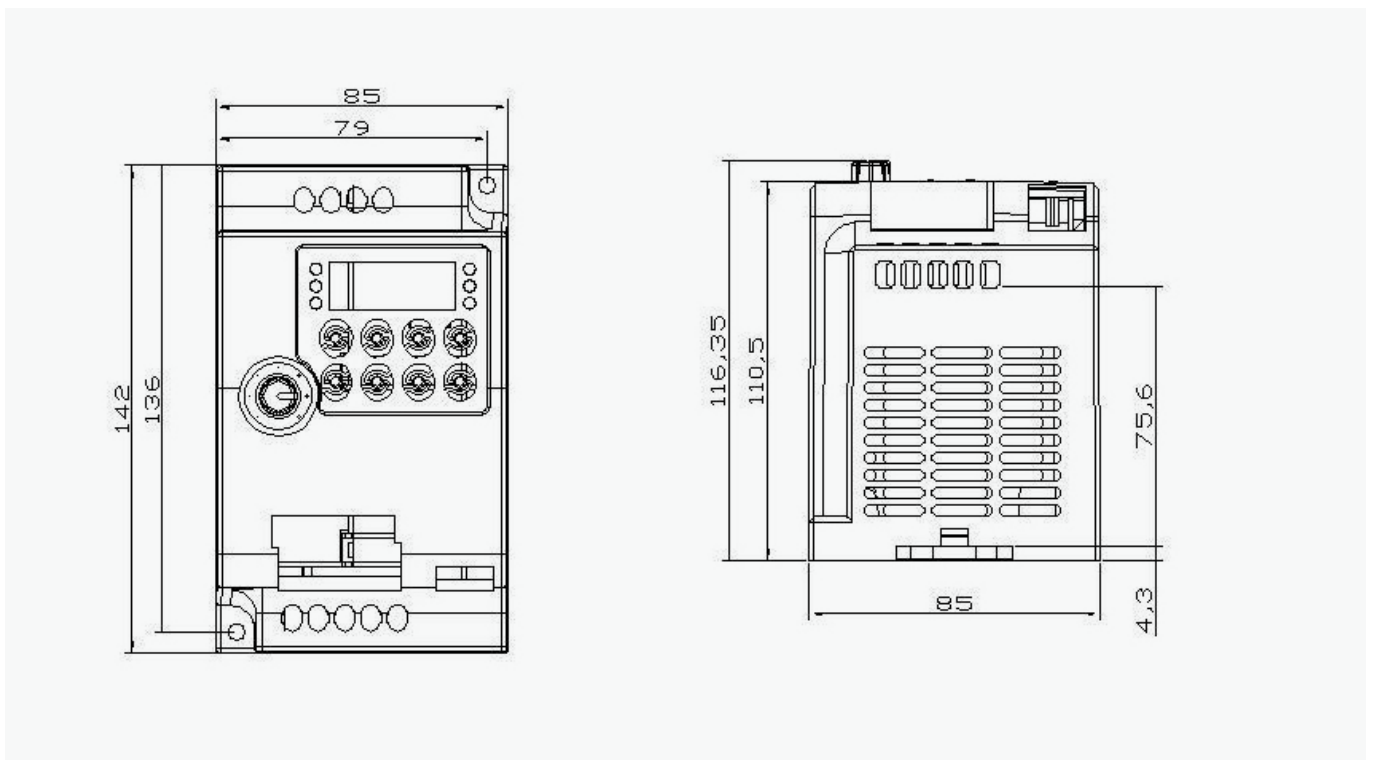
# Motor Control and protection Inverter & Soft-Starter YCB700 Series Mini Vector Inverter

## Technical Index

### 1. Installation Dimension Diagram of Outer Panel



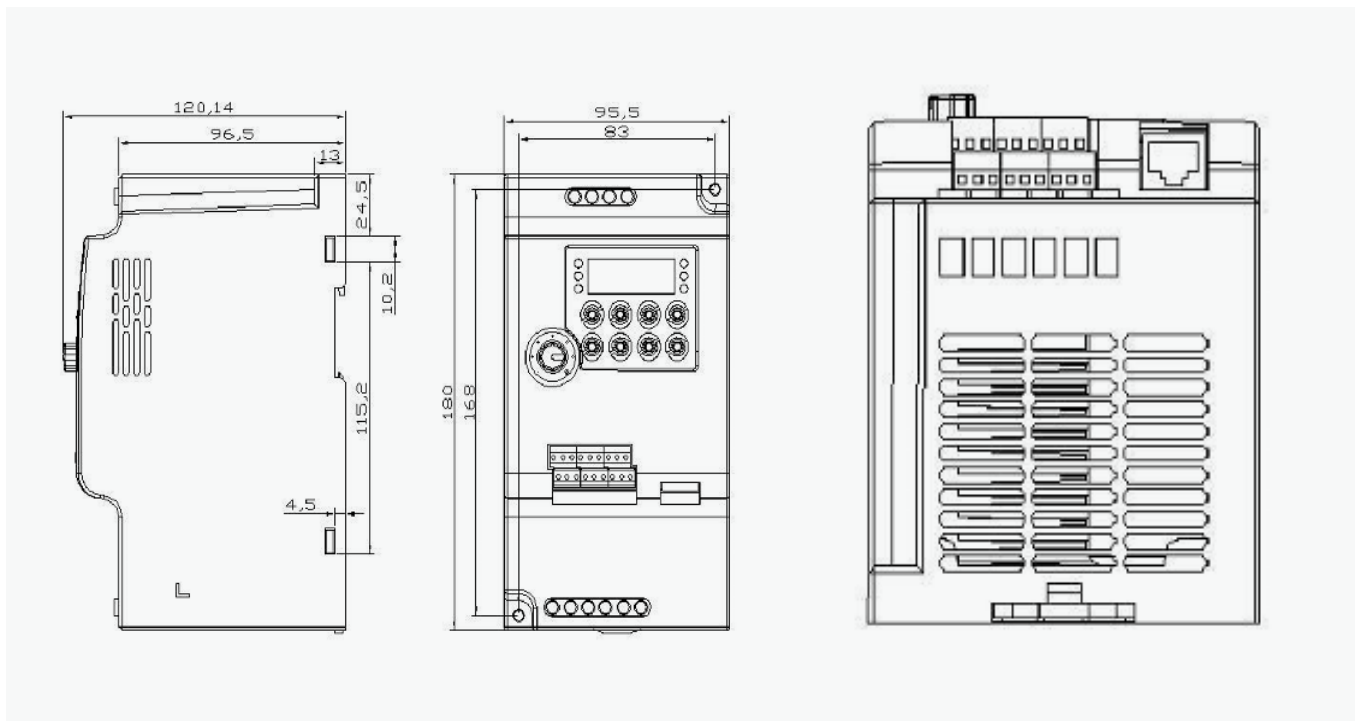
### 2. Product Dimension Diagram, Installation Diagram 0.75~2.2kW



# Motor Control and protection Inverter & Soft-Starter

## YCB700 Series Mini Vector Inverter

### 3. Product Dimension Diagram, Installation Diagram 4~5.5kW



## Technical Index

### 1. Interface and Terminal Instructions

#### 1.1 Main Circuit Terminal

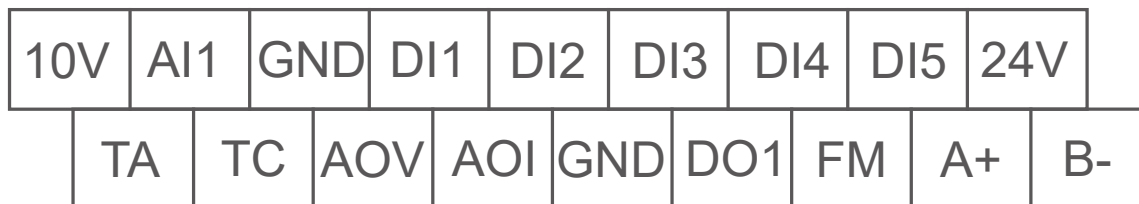
Table 4-1 Interface and Terminal Function Description

Terminal	Name	Function Description
R、S、T	Ac power input terminal	Connect the input three-phase AC power supply, 220V single-phase connect R, T
P+、PB	Brake resistor terminal	Connect brake resistor
U、V、W	Output terminal	Connect three-phase motor
	Earth terminal	Grounding Connection

# Motor Control and protection Inverter & Soft-Starter

## YCB700 Series Mini Vector Inverter

### 1.2 Control Circuit Terminal



Sketch 1 Control Circuit Terminal Diagram  
Table 2 VFD Description of Control Circuit Terminals

Item	Terminal	Name	Function Description
Power supply	10V-GND	External 10V power supply	1kΩ-5kΩ Provide +10 V power supply to external unit. Generally, it provides power supply to external potentiometer with resistance range of 1-5 kΩ. Maximum output current: 10 mA
	24V-GND	External 24V power supply	Provide +24 V power supply to external unit. Generally, it provides power supply to DI/DO terminals and external sensors. Maximum output current: 200 mA
Analog input	AI1-GND	Analog input terminal 1	Input range: DC 0V~10V/0mA~20mA. decided by P4-39. Resistance input: 22 kΩ (voltage input), 500 Ω (current input)
Digital input	DI1-GND	Digital input 1	Resistance input: 1kΩ Voltage range for level input: 5-30V
	DI2-GND	Digital input 2	
	DI3-GND	Digital input 3	
	DI4-GND	Digital input 4	
	DI5-GND	High-speed pulse Input terminal	Besides features of DI1-DI4, it can be used for high-speed pulse input. Maximum input frequency: 20 KHz
Analog output	AOV-GND	Analog output	Output voltage range: 0-10 V Output current range: 0-20 mA
	AOI-GND		
Digital output	DO1-GND	Digital output 1	Optical coupling isolation, dual polarity open collector output Output voltage range: 0-24V Output current range: 0-50 mA
	FM-GND	High-speed pulse output	It is limited by F5-00 (FM terminal output mode selection). As high-speed pulse output, the maximum frequency hits 20 kHz. As open-collector output, its specification is the same as that of DO1
	TA-TC	Relay NO terminal	Contact driving capacity: 250Vac, 3A, COSφ=0.4 30Vdc, 1A
Communication terminal	A+-B-	485 communication terminal	MODBUS-RTU protocol communication input and output signal terminals