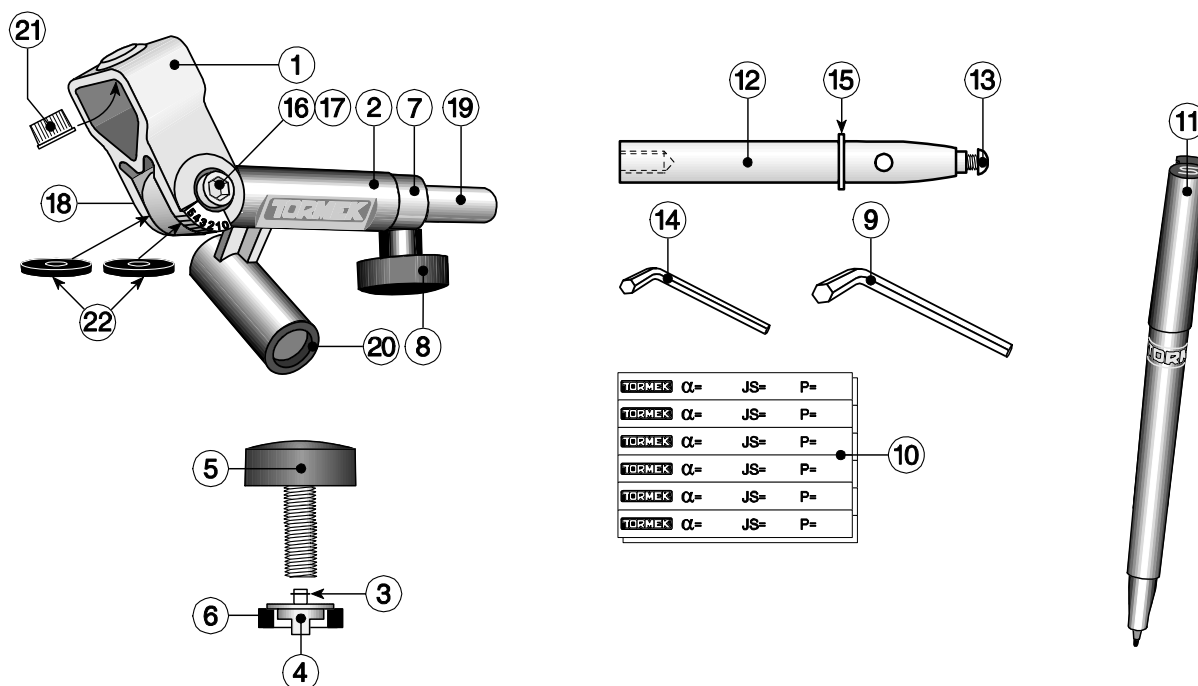


SVD-185 Gouge Jig



Item no.	Article no.	Denomination	Quantity	Weight/piece	
				g	oz
1	2150	Tool holder	1	46	1,62
2	2170	Sleeve	1	47	1,66
3	3320	O-ring	1	0	0,00
4	1230	Disc	1	10	0,35
5	7110	Knob screw, M8	1	14	0,49
6	1210	Washer	1	2	0,07
7	1091	Stop ring	1	14	0,49
8	7031	Screw	1	10	0,35
9	5250	Allen key, 5 mm	1	18	0,63
10	PL-01	Profile Labels	1		
11	0610	Pen, Tormek	1	8	0,28
12	1220	Shaft	1	76	2,68
13	5580	Mounting screw	1	2	0,07
14	5255	Allen key, 3 mm	1	4	0,14
15	5325	Locking ring	1	1	0,04
16	5230	Screw	1	8	0,28
17	5240	Washer	1	1	0,04
18	5260	Nut	1	2	0,07
19	2160	Shaft	1	42	1,48
20	3120	Bushing	4	1	0,04
21	1070	Brass bushing, M8	1	3	0,11
22	0113	Washer	2	1	0,04