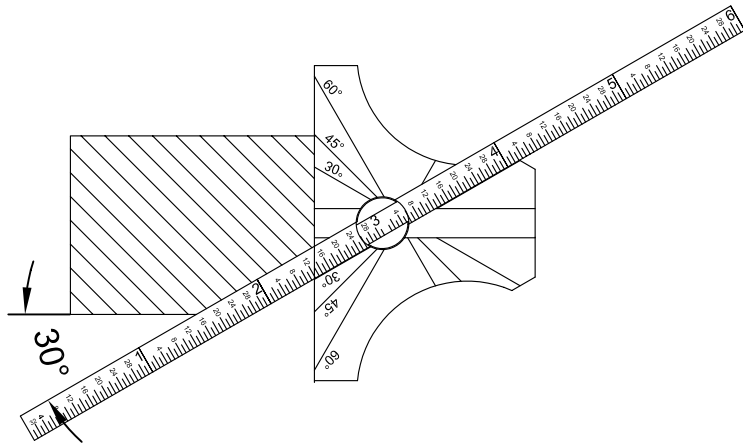
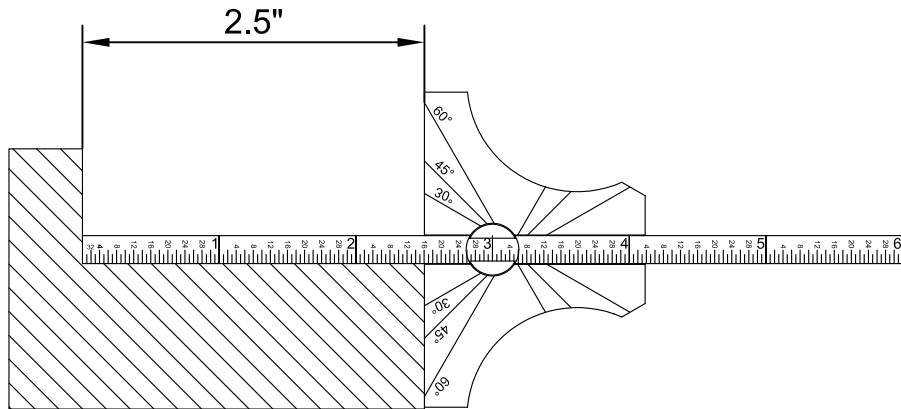


ANGLE DEPTH GAUGE

KRISTEEL[®] - Shinwa



MATERIAL :- Stainless Steel & carbon Steel

RANGE :- 6" Ruler and 30,45,60 ° Angles

LEASTCOUNT :- 1/32" or 0.5 mm in metric

FINISH :- Polished

FEATURE/USE:-

The depth/angle gauge is easy-to-read gauge which makes precise depth measurements in small holes and slots and which also doubles as a protractor. The protractor/angle finder is used to measure and mark the degrees of an angle on outside, inside, and sloped angles. 2-1/2" wide hardened steel base. also doubles as a protractor. Spring tension nut eases depth and angle measuring by securing rule in milled slot at 90 angle to base. Permits easy setting of protractor angle to 30, 45, and 60 settings on both sides. 6" x 1/4" etched stainless steel rule graduated in 32nds and Optional 0.5 mm in Metric.

PACKING :- Each assy packed in PVC pouch