

Model: 6-FM-200

GP SERIES

General Features

- Better discharge characteristic than normal VRLA batteries.
- Non-Spillable construction design.
- ABS containers and covers(UL94HB, UL94V-0) optional.
- Safety valve installation for explosion proof.
- Higher safety & reliable construction.
- Extra durability and deep cycle ability for heavy demand applications
- Low self discharge characteristic.
- Flexibility design for multiple install positions.

Application

- Electric Powered Vehicles. Electric Powered Toys.
- Golf Cars and Buggies. Control System.
- Wheel chairs. Vacuum Cleaners.
- Power tools. Medical Equipments.



General Characteristics

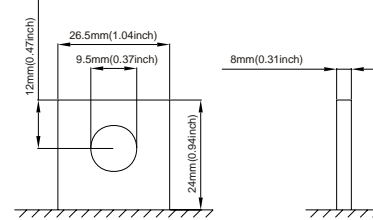
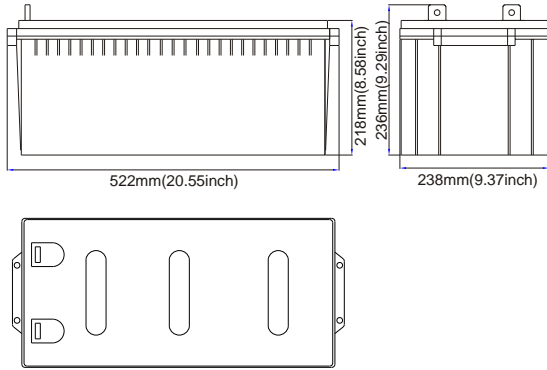
Battery Model	6-FM-200			
Designed Cycle life	8Years			
Capacity(25°C)	20HR(10A,1.75V)	10HR(20A,1.75V)	5HR(37A,1.75V)	1HR(138A,1.75V)
	200AH	200AH	185AH	138AH
Dimensions	Length	Width	Height	TotalHeight
	522mm(20.55inch)	238mm(9.37inch)	218mm(8.58inch)	236mm(9.29inch)
Approx. Weight	61Kg (134.5 lbs)			
Internal resistance	Full charged at 25°C :0.038 Ohm			
Self discharge	3% of capacity declined per month at 25°C			
Capacity affected by temp.(20HR)	40°C	25°C	0°C	-15°C
	102%	100%	85%	65%
Charge Voltage (25°C)	Cycle use		Float use	
	14.4-14.8V(-30mV/°C),max. Current: 50A		13.6-13.8(-20mV/°C)	

Constant current discharge ratings-amperes at (25°C)

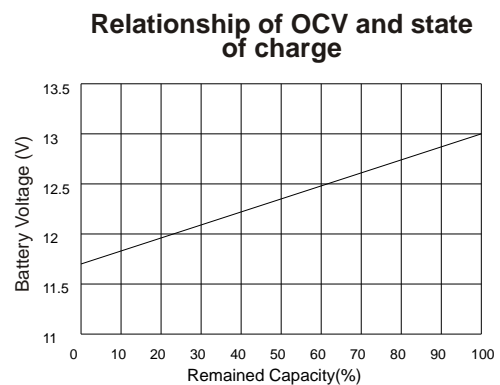
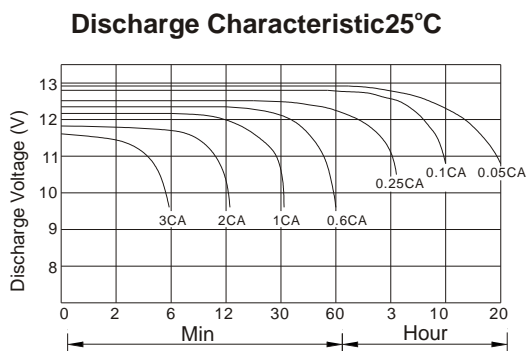
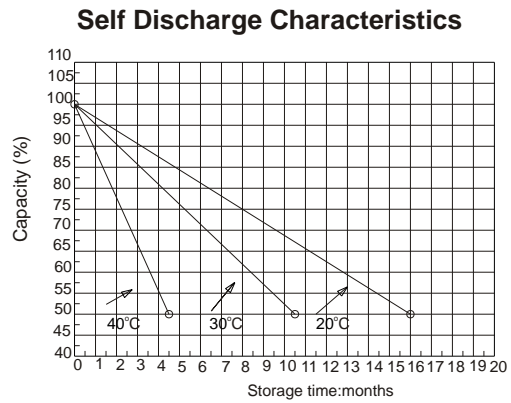
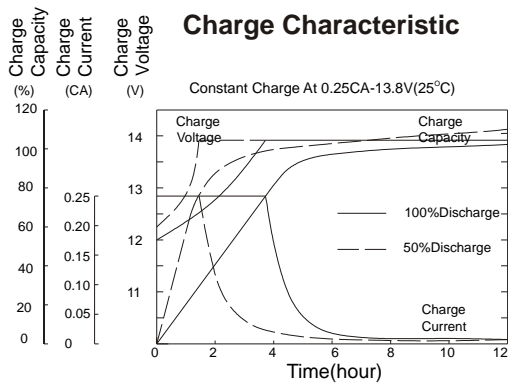
F.V/Time	5MIN	10MIN	15MIN	30MIN	1HR	3HR	5HR	10HR	20HR
1.60V	700	480	350	210	132	54.6	38.2	21.2	10.5
1.67V	630	438	340	204	132	54.4	37.8	20.9	10.5
1.70V	598	422	328	200	131	54.4	37.8	20.7	10.5
1.75V	532	390	310	196	130	54.0	37.5	20.4	10.5
1.80V	480	362	296	190	128	53.8	37.2	20.0	10.1
1.85V	364	298	256	175	127	53.6	36.9	19.7	9.48

Constant power discharge ratings-watts at (25°C)

F.V/Time	5MIN	10MIN	15MIN	30MIN	1HR	3HR	5HR	10HR	20HR
1.60V	1154	796	620	396	260	105	73.0	42.4	21.1
1.67V	1094	786	614	388	251	105	73.0	41.8	21.0
1.70V	1022	766	604	378	245	105	73.0	41.5	21.0
1.75V	952	716	568	368	243	103	72.2	40.7	20.9
1.80V	854	666	534	358	238	102	71.0	40.0	20.2
1.85V	684	552	466	328	236	101	70.0	39.3	19.0



Terminal Dimensions



NARADA POWER SOURCE CO.,LTD.
No.459 Wensan Road, Hangzhou, Zhejiang, P.R.China
Tel: +86-571-28827013 Fax: +86-571-85126942
Website: www.naradabattery.com E-mail: intl@narada.biz

