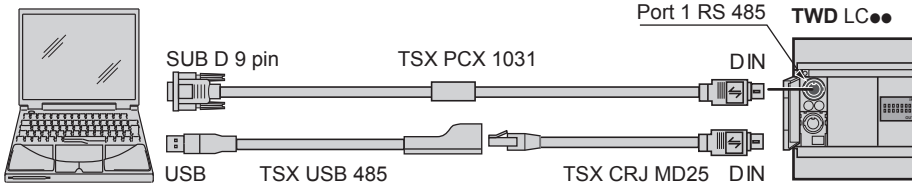


Modbus

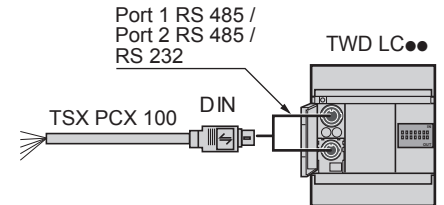


Serial communication / Communication série / Serielle Kommunikation / Comunicación serie / Comunicazione seriale / 通讯序列

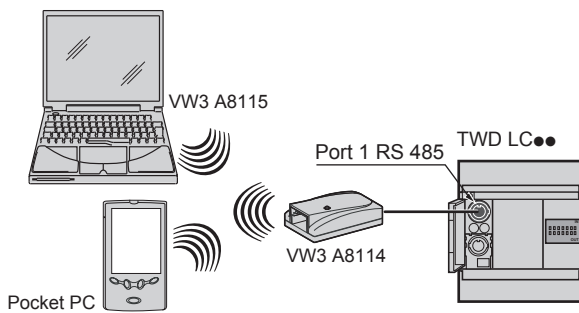
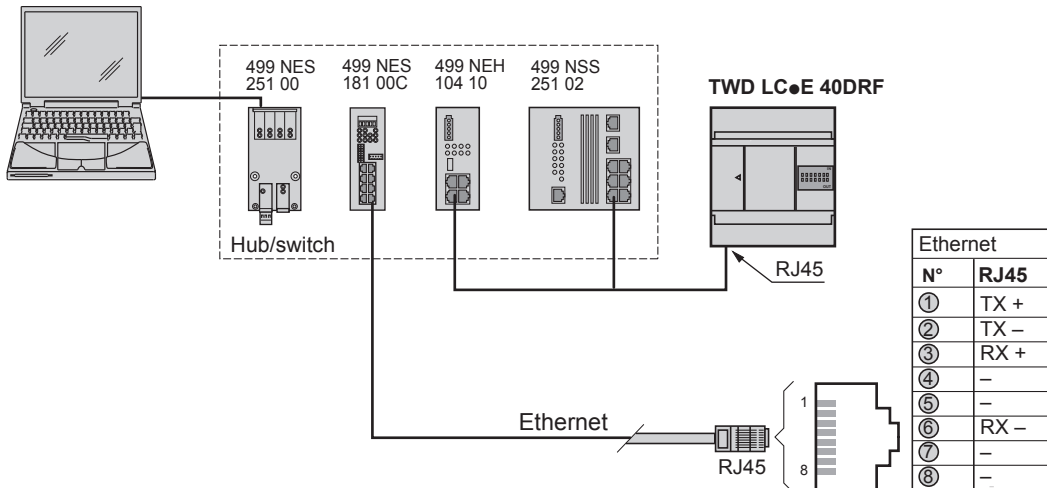
RS 485 EIA		Options	
		RS 485	RS 232C
	TWD LC●A ●●DRF TWD LC●E 40DRF	TWD NAC 485D	TWD NAC 232D
①	D1 (A +)	D1 (A +)	RTS
②	D0 (B -)	D0 (B -)	DTR
③	NC	NC	TXD
④	/DE	NC	RXD
⑤	/DPT	NC	DSR
⑥	NC	NC	0 V (com)
⑦	0 V (com)	0 V (com)	0 V (com)
⑧	5 V (180 mA)	5 V (180 mA)	5 V (180 mA)

NC: not connected / NC : non connecté / NC: nicht angeschlossen
 NC: no conectado / NC: non collegato / NC: 未联接

Options	
RS 485	
TWD NAC 485T	
A	D1 (A +)
B	D0 (B -)
SG	0 V (com)



Ethernet



Modem

SR2 MD03 : modem GSM/GPRS

