



### Main

Range of product	OsiSense XU
Series name	Application
Electronic sensor type	Photo-electric sensor
Sensor name	XUY
Sensor design	Fork
Detection system	Thru beam
Emission	Infrared, continuous
Passage width	3 mm
Passage depth	60 mm
Material	Metal
Supply circuit type	DC
Wiring technique	4-wire
Discrete output type	PNP and NPN
Discrete output function	1 NO or 1 NC programmable
Electrical connection	1 male connector M8, 4 pins
Product specific application	Packaging series
[Sn] nominal sensing distance	3 mm

### Complementary

Enclosure material	Anodised aluminium
Type of output signal	Discrete
Output type	Solid state
Status LED	1 LED (green) for no object present 1 LED (red) for adjustment mode and keypad locking
[Us] rated supply voltage	12...24 V DC with reverse polarity protection
Supply voltage limits	10...30 V DC
Switching capacity in mA	100 mA (overload and short-circuit protection)

Switching frequency	10 kHz
Voltage drop	< 2 V (closed state)
Current consumption	40 mA (no-load)
Delay response	50 $\mu$ s
Delay recovery	50 $\mu$ s
Product weight	0.07 kg

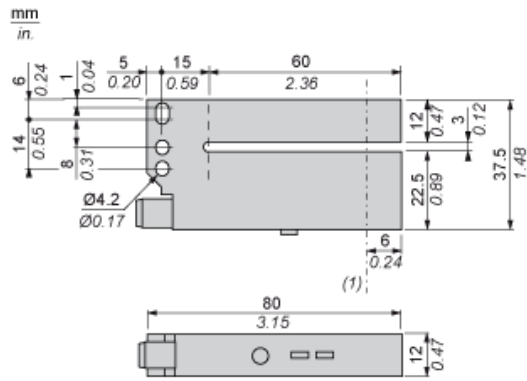
## Environment

Product certifications	CULus CE
Ambient air temperature for operation	-20...60 °C
Ambient air temperature for storage	-30...80 °C
Immunity to ambient light	3000 lux with incandescent bulb 3000 lux with natural light
IP degree of protection	IP65 conforming to IEC 60529

## Contractual warranty

Warranty period	18 months
-----------------	-----------

Dimensions



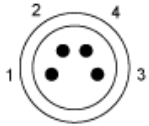
(1) Optical axis

---

Wiring Schemes

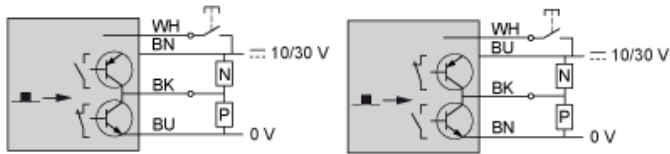
---

Connector



- 1 : BN: Brown
- 2 : WH: White (input)
- 3 : BU: Blue
- 4 : BK: Black (PNP and NPN outputs)

NO or NC Programmable Function



Object detected

If the white wire is not used, connect to 0 V.