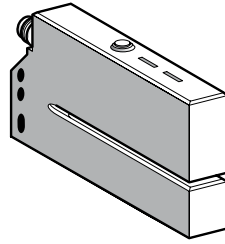


# Photo-electric sensors

OsiSense XU Application, packaging series  
Optical fork with teach mode  
For detection of labels  
DC supply. Solid-state output

## Fork design



<b>System</b>		Thru-beam	
<b>Type of transmission</b>		Infrared, continuous	
<b>Nominal sensing distance (Sn)</b> (Passageway)		3 mm	5 mm
<b>References</b>			
<b>4-wire, PNP and NPN</b>	NO or NC programmable function (1) Automatic adjustment using teach mode	<b>XUYFA983003COS</b>	<b>XUYFA983005COS</b>
<b>Weight (kg)</b>		0.07	0.07
<b>Characteristics</b>			
<b>Product certifications</b>		CE, cULus	
<b>Ambient air temperature</b>	For operation	- 20...+ 60 °C	
	For storage	- 30...+ 80 °C	
<b>Degree of protection</b>	Conforming to IEC 60529	IP 65	
<b>Connection</b>		M8, 4-pin connector (for pre-cabled version please consult our Customer Care Centre)	
<b>Materials</b>		Anodised aluminium	
<b>Rated supply voltage</b>		≡ 12...24 V with protection against reverse polarity	
<b>Voltage limits</b> (including ripple)		≡ 10...30 V	
<b>Switching capacity</b> (sealed)		≤ 100 mA with overload and short-circuit protection	
<b>Immunity to ambient light</b>	Natural light	3000 lux	
	Incandescent bulb	3000 lux	
<b>Voltage drop, closed state</b>		< 2 V	
<b>Current consumption, no-load</b>		40 mA	
<b>Maximum switching frequency</b>		10 kHz	
<b>Delays</b>		Response: 50 µs; recovery: 50 µs	
<b>Indicator lights</b>		Green LED: no object present Red LED: keypad locking and adjustments.	

Function table	Function	Thru-beam system	
		No label present in the beam	Label present in the beam
<b>Output state (PNP or NPN) indicator: green LED</b> (illuminated when sensor output is ON)	NC		
	NO		

(1) By reversing supply connections.

# Photo-electric sensors

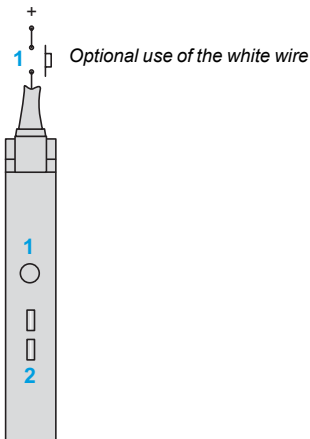
OsiSense XU Application, packaging series

Optical fork with teach mode

For detection of labels

DC supply. Solid-state output

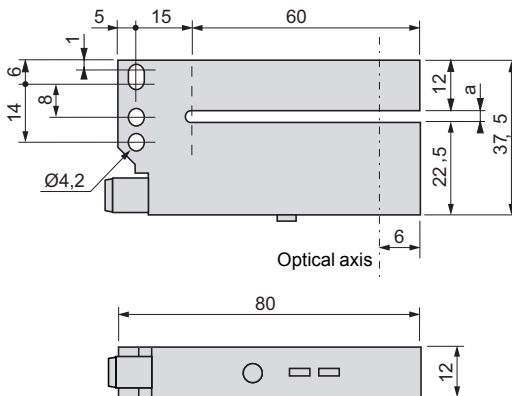
## Presentation (adjustment and indicators)



Teaching is performed on the item to which the label is affixed

- 1 Teach mode button
  - 1 press: standard teaching (red LED flashes for 2 s)
  - 2 presses: fine teaching (green LED flashes for 2 s)
  - 1 prolonged press: keypad locking (red LED on)
- 2 Red LED and green LED flash: short-circuit or object too opaque.

## Dimensions



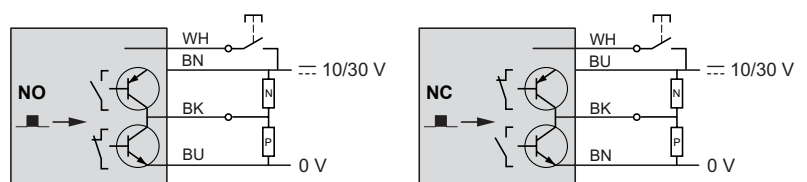
Reference	a (passageway)
XUYFA98●●●3COS	3
XUYFA98●●●5COS	5

## Wiring schemes (sensor connector pin view)

### Connector

#### Pin n° - colour

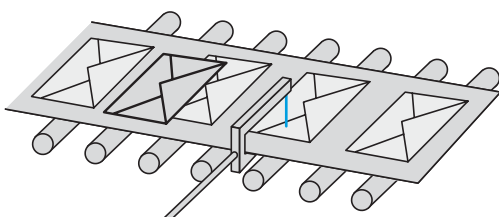
- 1 BN: Brown
- 2 WH: White (input)
- 3 BU: Blue
- 4 BK: Black (PNP and NPN outputs)



■ → Object detected  
If the white wire is not used, connect to 0 V.

## Application examples

### Detection of overlapping envelopes



### Detection of labels on belt

