

Syphons

WS, LWS and UWS Series



FITOK
Valves and Fittings

1 Syphons

Features

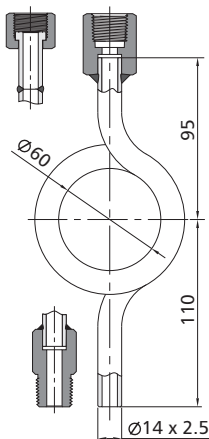
- ◎ Maximum working temperature: 850°F (454°C).
- ◎ Working pressure up to: 6000 psig (414 bar). Multiply the working pressure by the elevated temperature factors to get the working pressure at elevated temperature. To locate the elevated temperature factor, please refer to the related information of FITOK Tubes and Pipes in page 11.
- ◎ Standard materials is 316 SS and 304 SS, other materials are available upon request.

Material Specifications

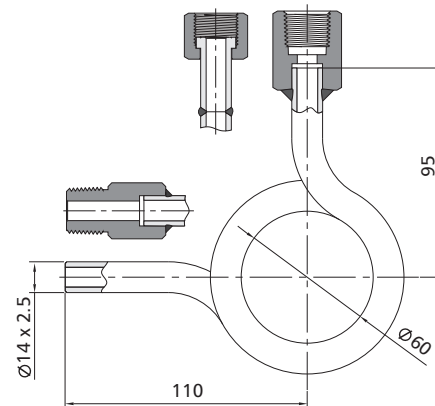
Component	Material Specifications
Tube	316L or 304L/A269
Connector	316 or 304/A276

Types and Dimensions

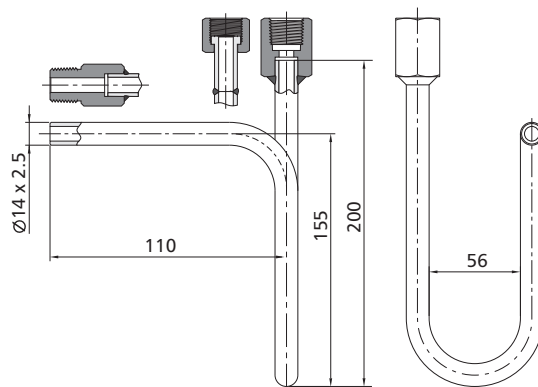
WS Series



LWS Series



UWS Series



Dimensions are in mm unless otherwise specified. They are for reference only and are subject to change.

Ordering Information

Add the material designator as prefix to the basic ordering number (SS for 316 SS, S4 for 304 SS).

Example: **SS-WS-MTB14**

- ⦿ To order fittings with special cleaning and packaging (FC-02), following ASTM G93 level C, add -F2 as a suffix to the ordering number. Example: **SS-UWS-NS8-F2**.
- ⦿ To order fittings used in H₂S-containing environments, meet NACE MR0175-2003, add -S as a suffix to the ordering number. Example: **SS-LWS-MG20-S**.

End Types and Size		Basic Ordering Number		
Top End	Other End	WS Series	LWS Series	UWS Series
1/2 Female NPT	1/2 Female NPT	-WS-FNS8	-LWS-FNS8	-UWS-FNS8
1/2 Female NPT	1/4 Female NPT	-WS-FNS8-FNS4	-LWS-FNS8-FNS4	-UWS-FNS8-FNS4
1/2 Female NPT	1/2 Female ISO Parallel Thread	-WS-FNS8-RG8	-LWS-FNS8-RG8	-UWS-FNS8-RG8
1/2 Female NPT	1/4 Female ISO Parallel Thread	-WS-FNS8-RG4	-LWS-FNS8-RG4	-UWS-FNS8-RG4
1/2 Female NPT	M20 x 1.5 Female ISO	-WS-FNS8-MG20	-LWS-FNS8-MG20	-UWS-FNS8-MG20
1/2 Female NPT	M14 x 1.5 Female ISO	-WS-FNS8-MG14	-LWS-FNS8-MG14	-UWS-FNS8-MG14
1/2 Female NPT	1/2 Tube Socket Weld	-WS-FNS8-TS8	-LWS-FNS8-TS8	-UWS-FNS8-TS8
1/2 Female NPT	14 mm Tube Socket Weld	-WS-FNS8-MTS14	-LWS-FNS8-MTS14	-UWS-FNS8-MTS14
M20 x 1.5 Female ISO	M20 x 1.5 Female ISO	-WS-MG20	-LWS-MG20	-UWS-MG20
M20 x 1.5 Female ISO	M14 x 1.5 Female ISO	-WS-MG20-MG14	-LWS-MG20-MG14	-UWS-MG20-MG14
M20 x 1.5 Female ISO	∅ 14 x 2.5	-WS-MG20-MTB14	-LWS-MG20-MTB14	-UWS-MG20-MTB14
Rotating M20 x 1.5 Female ISO	M20 x 1.5 Female ISO	-WS-RMG20-MG20	-LWS-RMG20-MG20	-UWS-RMG20-MG20
Rotating M20 x 1.5 Female ISO	M14 x 1.5 Female ISO	-WS-RMG20-MG14	-LWS-RMG20-MG14	-UWS-RMG20-MG14
Rotating M20 x 1.5 Female ISO	∅ 14 x 2.5	-WS-RMG20-MTB14	-LWS-RMG20-MTB14	-UWS-RMG20-MTB14
1/2 Female ISO Parallel Thread	M20 x 1.5 Female ISO	-WS-RG8-MG20	-LWS-RG8-MG20	-UWS-RG8-MG20
1/2 Female ISO Parallel Thread	M14 x 1.5 Female ISO	-WS-RG8-MG14	-LWS-RG8-MG14	-UWS-RG8-MG14
1/2 Female ISO Parallel Thread	∅ 14 x 2.5	-WS-RG8-MTB14	-LWS-RG8-MTB14	-UWS-RG8-MTB14
Rotating 1/2 Female ISO Parallel Thread	M20 x 1.5 Female ISO	-WS-RRG8-MG20	-LWS-RRG8-MG20	-UWS-RRG8-MG20
Rotating 1/2 Female ISO Parallel Thread	M14 x 1.5 Female ISO	-WS-RRG8-MG14	-LWS-RRG8-MG14	-UWS-RRG8-MG14
Rotating 1/2 Female ISO Parallel Thread	∅ 14 x 2.5	-WS-RRG8-MTB14	-LWS-RRG8-MTB14	-UWS-RRG8-MTB14
∅ 14 x 2.5	∅ 14 x 2.5	-WS-MTB14	-LWS-MTB14	-UWS-MTB14
1/2 Male NPT	1/2 Male NPT	-WS-NS8	-LWS-NS8	-UWS-NS8
1/2 Male NPT	1/4 Female NPT	-WS-NS8-FNS4	-LWS-NS8-FNS4	-UWS-NS8-FNS4
1/2 Male ISO Parallel Thread	1/4 Male ISO Parallel Thread	-WS-BP8-BP4	-LWS-BP8-BP4	-UWS-BP8-BP4
1/2 Male ISO Parallel Thread	1/4 Female ISO Parallel Thread	-WS-BP8-RG4	-LWS-BP8-RG4	-UWS-BP8-RG4
M20 x 1.5 Male ISO	M20 x 1.5 Female ISO	-WS-MS20-MG20	-LWS-MS20-MG20	-UWS-MS20-MG20
M20 x 1.5 Male ISO	M14 x 1.5 Female ISO	-WS-MS20-MG14	-LWS-MS20-MG14	-UWS-MS20-MG14
M14 x 1.5 Male ISO	M20 x 1.5 Female ISO	-WS-MS14-MG20	-LWS-MS14-MG20	-UWS-MS14-MG20
M14 x 1.5 Male ISO	M14 x 1.5 Female ISO	-WS-MS14-MG14	-LWS-MS14-MG14	-UWS-MS14-MG14

FITOK Group

FITOK GmbH (Headquarter)

Sprendlinger Landstr. 115, 63069 Offenbach am Main, Germany
Tel.: +49 69 8900 4498 Fax: +49 69 8900 4495

FITOK, Inc.

13843 North Promenade Blvd., Suite 750, Stafford, Texas 77477, USA
Tel.: +1 281 888 0077 Fax: +1 281 582 4051

FITOK Incorporated

Block C, Zone E, Yingtai Industrial Park, Dalang Street,
Longhua New District, Shenzhen, 518109, China
Tel.: +86 755 2803 2500 Fax: +86 755 2803 2619

FITOK Middle East Oil Equipment Trading LLC

208-209, Makateb Tower, Airport Road, P.O.Box 185412, Deira, Dubai, UAE
Tel.: +971 4 2959 853 Fax: +971 4 2959 854

info@fitokgroup.com
www.fitokgroup.com

FK-IC-GO-02-EN-140821