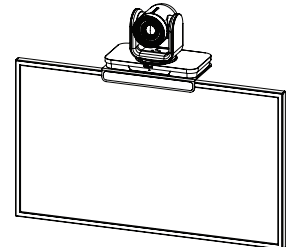
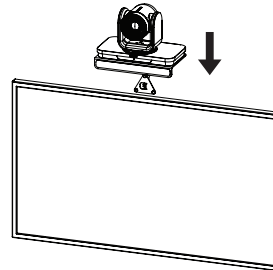
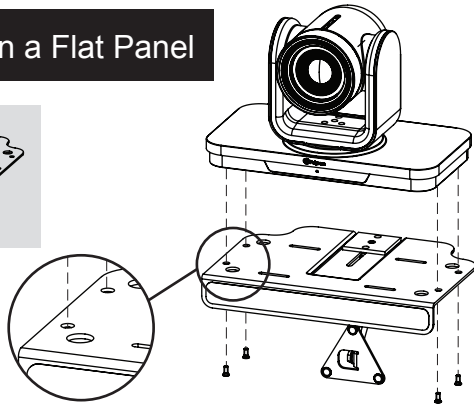
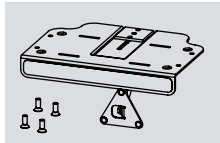


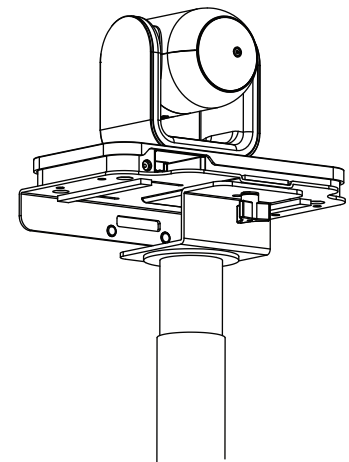
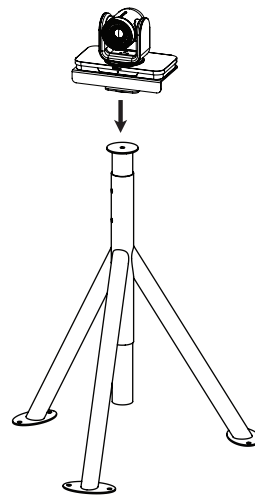
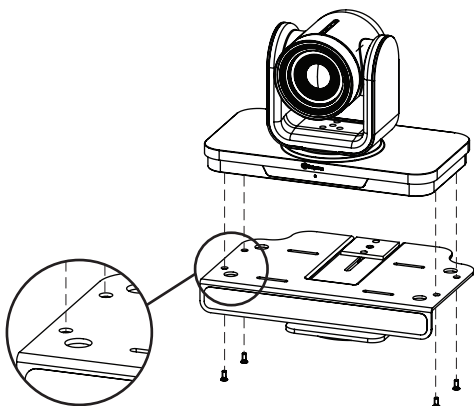
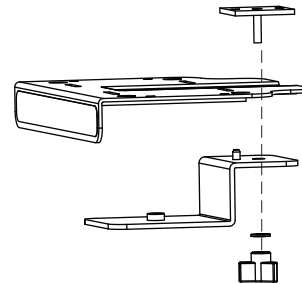
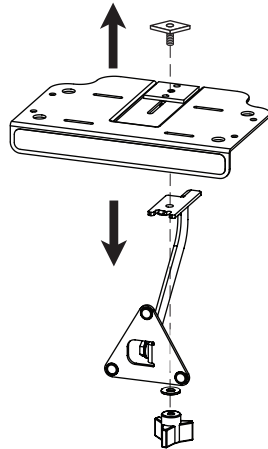
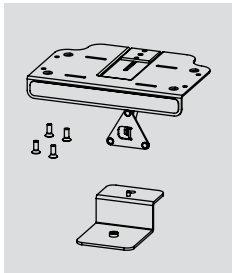
Setting Up the Polycom® Universal Camera Mount



Mounting on a Flat Panel



Mounting on a Tripod



www.polycom.com

© 2014, Polycom, Inc. All rights reserved. POLYCOM® and the names and marks associated with Polycom's products are trademarks and/or service marks of Polycom, Inc. and are registered and/or common law marks in the United States and various other countries. No portion hereof may be reproduced or transmitted in any form or by any means, for any purpose other than the recipient's personal use, without the express written permission of Polycom.

1725-68675-001/A



Mounting on a Wall

